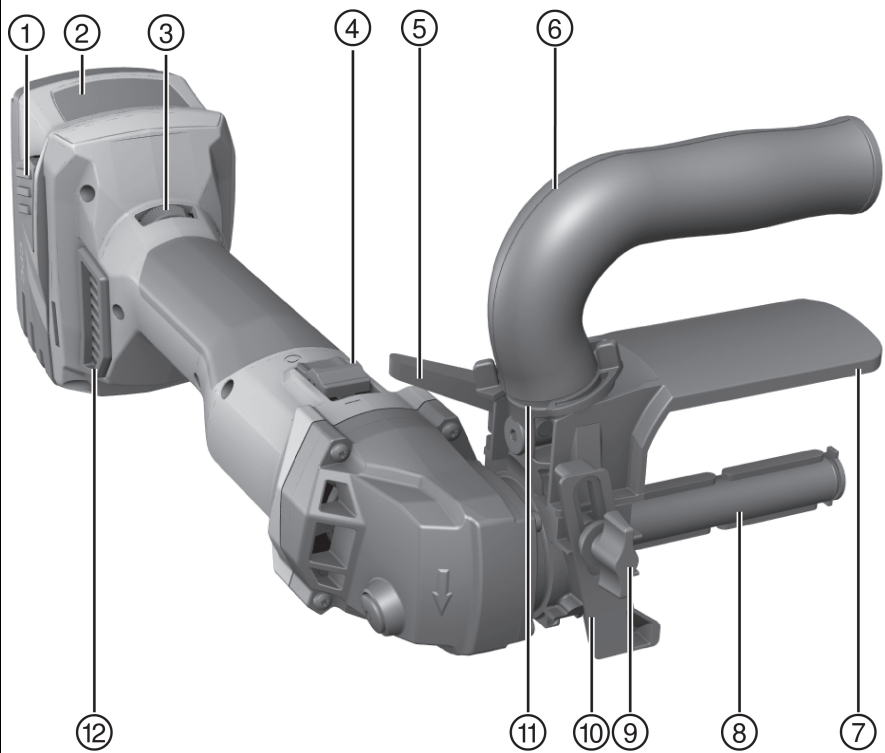


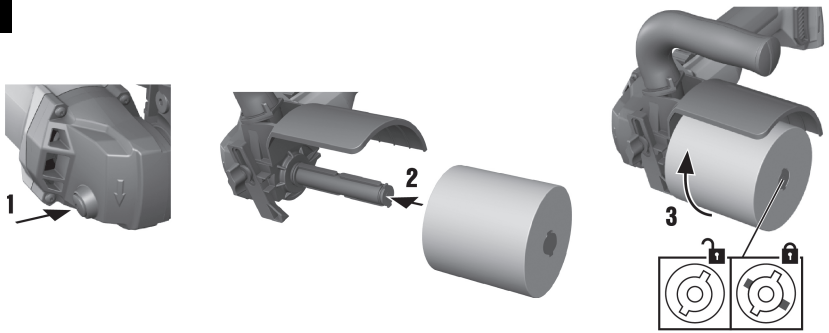


GPB 6X-A22

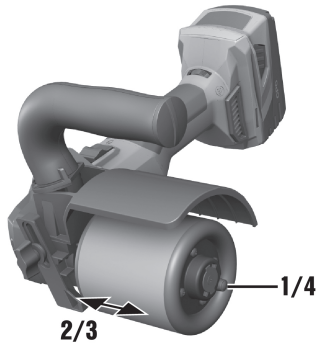
English	1
Français	11
Español	21
Português	32



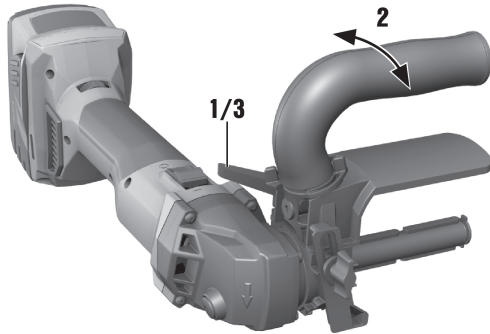
2



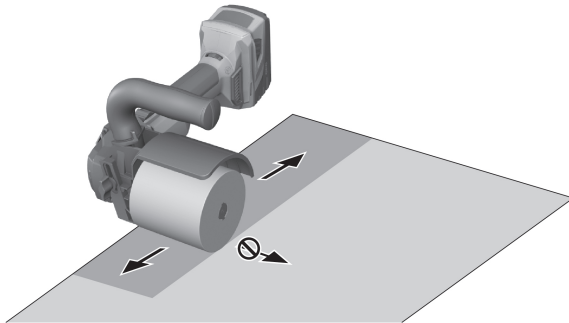
3



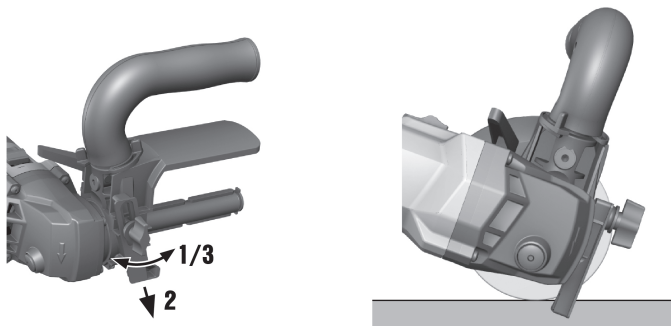
4



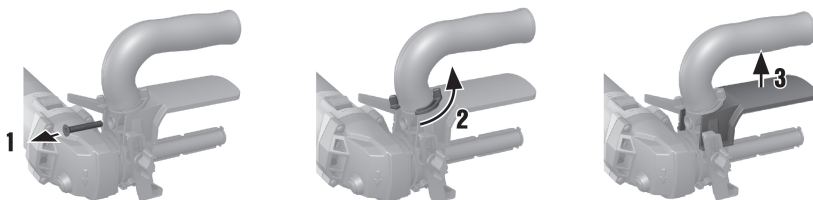
5



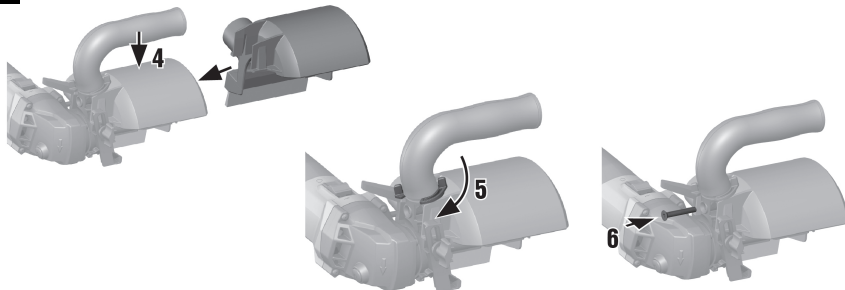
6



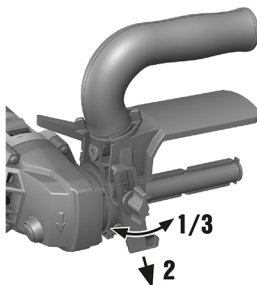
7



8



9



# GPB 6X-A22

en	Original operating instructions . . . . .	1
fr	Mode d'emploi original . . . . .	11
es	Manual de instrucciones original . . . . .	21
pt	Manual de instruções original . . . . .	32



# Original operating instructions

## 1 Information about the documentation

### 1.1 About this documentation

- Read this documentation before initial operation or use. This is a prerequisite for safe, trouble-free handling and use of the product.
- Observe the safety instructions and warnings in this documentation and on the product.
- Always keep the operating instructions with the product and make sure that the operating instructions are with the product when it is given to other persons.

### 1.2 Explanation of symbols used

#### 1.2.1 Warnings

Warnings alert persons to hazards that occur when handling or using the product. The following signal words are used:

#### DANGER

##### DANGER !

- ▶ Draws attention to imminent danger that will lead to serious personal injury or fatality.

#### WARNING

##### WARNING !

- ▶ Draws attention to a potential threat of danger that can lead to serious injury or fatality.

#### CAUTION

##### CAUTION !

- ▶ Draws attention to a potentially dangerous situation that could lead to slight personal injury or damage to the equipment or other property.

#### 1.2.2 Symbols in the documentation

The following symbols are used in this document:

	Read the operating instructions before use.
	Instructions for use and other useful information
	Dealing with recyclable materials
	Do not dispose of electric equipment and batteries as household waste

#### 1.2.3 Symbols in the illustrations

The following symbols are used in illustrations:

	These numbers refer to the corresponding illustrations found at the beginning of these operating instructions
	The numbering reflects the sequence of operations shown in the illustrations and may deviate from the steps described in the text
	Item reference numbers are used in the <b>overview illustrations</b> and refer to the numbers used in the <b>product overview section</b>
	This symbol is intended to draw special attention to certain points when handling the product.



### 1.3 Product-dependent symbols

#### 1.3.1 Symbols on the product

The following symbols can be used on the product:

	The power tool supports near-field communication (NFC) technology, which is compatible with iOS and Android platforms.
Li-Ion	Li-ion battery
	<b>Hilti</b> Li-ion battery type series used. Observe the information given in the section headed <b>Intended use</b> .
	Never use the battery as a striking tool.
	Do not drop the battery. Never use a battery that has suffered an impact or is damaged in any other way.
	Wear eye protection
n	Rated speed
/min	Revolutions per minute
RPM	Revolutions per minute
	Diameter

### 1.4 Product information

**HILTI** products are designed for professional users and only trained, authorized personnel are permitted to operate, service and maintain the products. This personnel must be specifically informed about the possible hazards. The product and its ancillary equipment can present hazards if used incorrectly by untrained personnel or if used not in accordance with the intended use.

The type designation and serial number are printed on the rating plate.

- ▶ Write down the serial number in the table below. You will be required to state the product details when contacting Hilti Service or your local Hilti organization to inquire about the product.

#### Product information

Cordless satin finisher	GPB 6X-A22
Generation	01
Serial no.	

### 1.5 Declaration of conformity

We declare, on our sole responsibility, that the product described here complies with the applicable directives and standards. A copy of the declaration issued by the certification department can be found at the end of this documentation.

The technical documentation is filed here:

**Hilti** Entwicklungsgesellschaft mbH | Tool Certification | Hiltistrasse 6 | 86916 Kaufering, Germany

## 2 Safety

### 2.1 Safety instructions

#### 2.1.1 General power tool safety warnings

**⚠ WARNING** Read all safety warnings, instructions, illustrations and specifications provided with this power tool. Failure to follow all instructions listed below may result in electric shock, fire and/or serious injury. **Save all warnings and instructions for future reference.**

The term "power tool" in the warnings refers to your mains-operated (corded) power tool or battery-operated (cordless) power tool.





### Work area safety

- ▶ **Keep work area clean and well lit.** Cluttered or dark areas invite accidents.
- ▶ **Do not operate power tools in explosive atmospheres, such as in the presence of flammable liquids, gases or dust.** Power tools create sparks which may ignite the dust or fumes.
- ▶ **Keep children and bystanders away while operating a power tool.** Distractions can cause you to lose control.

### Electrical safety

- ▶ **Power tool plugs must match the outlet. Never modify the plug in any way. Do not use any adapter plugs with earthed (grounded) power tools.** Unmodified plugs and matching outlets will reduce risk of electric shock.
- ▶ **Avoid body contact with earthed or grounded surfaces, such as pipes, radiators, ranges and refrigerators.** There is an increased risk of electric shock if your body is earthed or grounded.
- ▶ **Do not expose power tools to rain or wet conditions.** Water entering a power tool will increase the risk of electric shock.
- ▶ **Do not abuse the cord. Never use the cord for carrying, pulling or unplugging the power tool. Keep cord away from heat, oil, sharp edges or moving parts.** Damaged or entangled cords increase the risk of electric shock.
- ▶ **When operating a power tool outdoors, use an extension cord suitable for outdoor use.** Use of a cord suitable for outdoor use reduces the risk of electric shock.
- ▶ **If operating a power tool in a damp location is unavoidable, use a residual current device (RCD) protected supply.** Use of an RCD reduces the risk of electric shock.

### Personal safety

- ▶ **Stay alert, watch what you are doing and use common sense when operating a power tool. Do not use a power tool while you are tired or under the influence of drugs, alcohol or medication.** A moment of inattention while operating power tools may result in serious personal injury.
- ▶ **Use personal protective equipment. Always wear eye protection.** Protective equipment such as a dust mask, non-skid safety shoes, hard hat or hearing protection used for appropriate conditions will reduce personal injuries.
- ▶ **Prevent unintentional starting. Ensure the switch is in the off-position before connecting to power source and/or battery pack, picking up or carrying the tool.** Carrying power tools with your finger on the switch or energising power tools that have the switch on invites accidents.
- ▶ **Remove any adjusting key or wrench before turning the power tool on.** A wrench or a key left attached to a rotating part of the power tool may result in personal injury.
- ▶ **Do not overreach. Keep proper footing and balance at all times.** This enables better control of the power tool in unexpected situations.
- ▶ **Dress properly. Do not wear loose clothing or jewellery. Keep your hair, clothing and gloves away from moving parts.** Loose clothes, jewellery or long hair can be caught in moving parts.
- ▶ **If devices are provided for the connection of dust extraction and collection facilities, ensure these are connected and properly used.** Use of dust collection can reduce dust-related hazards.
- ▶ **Do not let familiarity gained from frequent use of tools allow you to become complacent and ignore tool safety principles.** A careless action can cause severe injury within a fraction of a second.

### Power tool use and care

- ▶ **Do not force the power tool. Use the correct power tool for your application.** The correct power tool will do the job better and safer at the rate for which it was designed.
- ▶ **Do not use the power tool if the switch does not turn it on and off.** Any power tool that cannot be controlled with the switch is dangerous and must be repaired.
- ▶ **Disconnect the plug from the power source and/or remove the battery pack, if detachable, from the power tool before making any adjustments, changing accessories, or storing power tools.** Such preventive safety measures reduce the risk of starting the power tool accidentally.
- ▶ **Store idle power tools out of the reach of children and do not allow persons unfamiliar with the power tool or these instructions to operate the power tool.** Power tools are dangerous in the hands of untrained users.
- ▶ **Maintain power tools and accessories. Check for misalignment or binding of moving parts, breakage of parts and any other condition that may affect the power tool's operation. If damaged, have the power tool repaired before use.** Many accidents are caused by poorly maintained power tools.
- ▶ **Keep cutting tools sharp and clean.** Properly maintained cutting tools with sharp cutting edges are less likely to bind and are easier to control.



- ▶ **Use the power tool, accessories and tool bits etc. in accordance with these instructions, taking into account the working conditions and the work to be performed.** Use of the power tool for operations different from those intended could result in a hazardous situation.
- ▶ **Keep handles and grasping surfaces dry, clean and free from oil and grease.** Slippery handles and grasping surfaces do not allow for safe handling and control of the tool in unexpected situations.

#### **Battery tool use and care**

- ▶ **Recharge only with the charger specified by the manufacturer.** A charger that is suitable for one type of battery pack may create a risk of fire when used with another battery pack.
- ▶ **Use power tools only with specifically designated battery packs.** Use of any other battery packs may create a risk of injury and fire.
- ▶ **When battery pack is not in use, keep it away from other metal objects, like paper clips, coins, keys, nails, screws or other small metal objects, that can make a connection from one terminal to another.** Shorting the battery terminals together may cause burns or a fire.
- ▶ **Under abusive conditions, liquid may be ejected from the battery; avoid contact. If contact accidentally occurs, flush with water. If liquid contacts eyes, additionally seek medical help.** Liquid ejected from the battery may cause irritation or burns.
- ▶ **Do not use a battery pack or tool that is damaged or modified.** Damaged or modified batteries may exhibit unpredictable behaviour resulting in fire, explosion or risk of injury.
- ▶ **Do not expose a battery pack or tool to fire or excessive temperature.** Exposure to fire or temperature above 130° C (265 °F) may cause explosion.
- ▶ **Follow all charging instructions and do not charge the battery pack or tool outside the temperature range specified in the instructions.** Charging improperly or at temperatures outside the specified range may damage the battery and increase the risk of fire.

#### **Service**

- ▶ **Have your power tool serviced by a qualified repair person using only identical replacement parts.** This will ensure that the safety of the power tool is maintained.
- ▶ **Never service damaged battery packs.** Service of battery packs should only be performed by the manufacturer or authorized service providers.

### **2.1.2 Additional safety instructions**

#### **Personal safety**

- ▶ Use the product only when it is in perfect working order.
- ▶ Never tamper with or modify the tool in any way.
- ▶ Avoid touching rotating parts – risk of injury!
- ▶ Always hold the power tool with both hands on the handles provided. Keep the handles clean and dry.
- ▶ Wait until the product stops completely before you lay it down.
- ▶ Wear protective gloves also when changing the accessory tool. Touching the accessory tool presents a risk of injury (cuts or burns).
- ▶ Make sure that the workplace is well ventilated and, where necessary, wear a respirator appropriate for the type of dust generated. Contact with or inhalation of the dust may cause allergic reactions and/or respiratory or other diseases among operators or bystanders.
- ▶ Before beginning the work, check the hazard classification of the dust that will be produced. Dust from materials such as lead-based paint, certain types of wood and concrete/masonry/stone containing quartz, minerals or metal can be harmful to health. Certain kinds of dust such as oakwood and beechwood dust are classified as carcinogenic, especially in conjunction with additives for wood conditioning (chromate, wood preservative).
- ▶ Take breaks between working and do physical exercises to improve the blood circulation in your fingers. Exposure to vibration during long periods of work can lead to disorders of the blood vessels and nervous system in the fingers, hands and wrists.

#### **Power tool use and care**

- ▶ Do not set the product down with its weight resting on the battery.

### **2.1.3 Battery use and care**

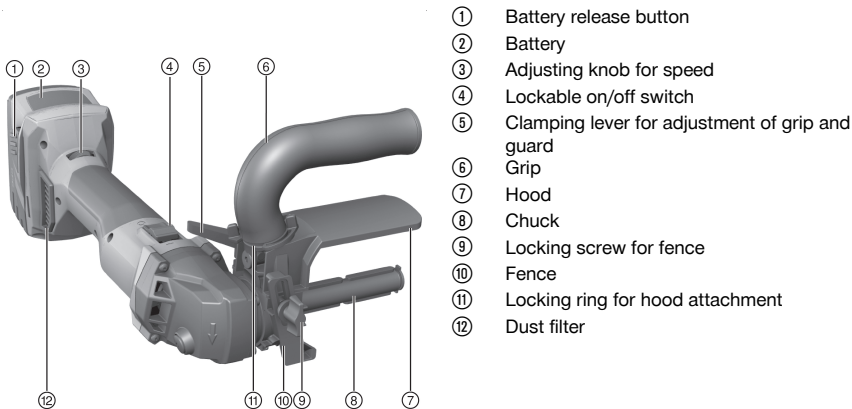
- ▶ Observe the special regulations and instructions applicable to the transport, storage and use of Li-ion batteries.
- ▶ Do not expose batteries to high temperatures, direct sunlight or fire.
- ▶ Do not disassemble, crush or incinerate batteries and do not subject them to temperatures over 80 °C.
- ▶ Do not use or charge batteries that have suffered mechanical impact, have been dropped from a height or show signs of damage. In this case, always contact your **Hilti Service**.



- If the battery is too hot to touch it may be defective. In this case, place the product in a non-flammable location, well away from flammable materials, where it can be kept under observation and allowed to cool down. In this case, always contact your **Hilti Service**.

### 3 Description

#### 3.1 Overview of the product



#### 3.2 Intended use

The product described is a hand-held, cordless satin finisher. It is designed for surface finishing processes such as satinizing, structuring, polishing, brushing, smoothing, derusting or deburring steel, stainless steel or non-ferrous metals.

- Use only **Hilti** Li-ion batteries of the B 22 series with this product.
- Use only **Hilti** battery chargers of the C4/36 series for charging these batteries.

#### 3.3 Possible misuse

Do not use the product for wet grinding.

Do not use the product to work on hazardous or flammable materials (e.g. asbestos, magnesium, wood).

#### 3.4 Items supplied

Satin finisher, pneumatic rubber roller, air pump, operating instructions.

Other system products approved for use with this product can be found at your local **Hilti Store** or online at: [www.hilti.group](http://www.hilti.group)

#### 3.5 Temperature-dependent motor protection

The temperature-dependent motor protection system monitors current input and motor temperature and thus prevents the power tool overheating.

If the motor is overloaded through application of excessive working pressure, the power tool's performance drops noticeably or it may stall completely.

If the power tool stalls or slows significantly due to overloading, release the pressure applied to the tool and then allow it to run under no load for approx. 30 seconds.

#### 3.6 Li-ion battery charge status display

The charge status of the Li-ion battery is displayed after one of the two battery release buttons is pressed.

Status	Meaning
4 LEDs light.	Charge status: 75 % to 100 %
3 LEDs light.	Charge status: 50 % to 75 %



Status	Meaning
2 LEDs light.	Charge status: 25 % to 50 %
1 LED lights up.	Charge status: 10 % to 25 %
1 LED flashes.	Charge status: < 10 %

Indication of the charge status is not possible while the power tool is in operation or immediately after operation. If the battery charge status LEDs flash, please refer to the information given in the Troubleshooting section.

## 4 Technical data

Weight including battery B228.0	3.5 kg (7.7 lb)
Rated voltage	21.6 V
Speed range	1,220 /min ... 2,750 /min
Maximum tool diameter	4 in
Maximum tool width	100 mm (3.9 in)
Blade holder	19 mm (0.7 in)
Ambient temperature for operation	-17 °C ... 60 °C (1 °F ... 140 °F)
Storage temperature	-20 °C ... 70 °C (-4 °F ... 158 °F)

### 4.1 Battery

Battery operating voltage	21.6 V
Ambient temperature for operation	-17 °C ... 60 °C (1 °F ... 140 °F)
Storage temperature	-20 °C ... 40 °C (-4 °F ... 104 °F)
Battery charging starting temperature	-10 °C ... 45 °C (14 °F ... 113 °F)

## 5 Preparations at the workplace

### CAUTION

#### Risk of injury by inadvertent starting!

- ▶ Before inserting the battery, make sure that the product is switched off.
- ▶ Remove the battery before making any adjustments to the power tool or before changing accessories.

Observe the safety instructions and warnings in this documentation and on the product.

### 5.1 Charging the battery

1. Before charging the battery, read the operating instructions for the charger.
2. Make sure that the contacts on the battery and the contacts on the charger are clean and dry.
3. Use an approved charger to charge the battery.



## 5.2 Inserting the battery

### CAUTION

#### Risk of injury by short circuit or falling battery!

- ▶ Before inserting the battery, make sure that the contacts on the battery and the contacts on the product are free of foreign matter.
- ▶ Make sure that the battery always engages correctly.

1. Charge the battery fully before using it for the first time.
2. Push the battery into the battery holder until it engages with an audible click.
3. Check that the battery is seated securely.

## 5.3 Removing the battery

1. Press the battery release buttons.
2. Remove the battery from the tool.

## 5.4 Installing the tool

1. Press and hold down the spindle lock button.
2. With the keyway correctly aligned, slip the tool on to the tool holder.
3. Press the tool firmly on to the tool holder against the action of the spring and turn the tool clockwise.
  - ↳ The tool holder is locked.



Narrow accessory tools less than 100 mm in width need spacer rings to make up the difference in width.

4. Release the spindle lockbutton.
5. Insert the battery. → page 7
6. Perform a test run. Run the satin finisher for 30 seconds without load and check for vibration and imbalance.
  - ↳ If vibration or imbalance is perceptible, remove the tool and reinstall it correctly. Make sure it is correctly seated. Do not use damaged tools or spacer rings.

## 5.5 Pneumatic rubber roller

1. If necessary, deflate the pneumatic rubber roller by opening the valve. Use the back of the valve dustcap for this purpose.
2. If applicable, ease the abrasive belt off the pneumatic rubber roller.
3. Slip a new abrasive belt on to the pneumatic rubber roller. Make sure that the abrasive belt does not project on either side.
4. Tension the abrasive belt by inflating the pneumatic rubber roller with the air pump provided for the purpose. Then screw the valve dustcap back on to the valve.

## 5.6 Adjusting the guard and grip



Always adjust the guard to a position at which the material removed by grinding is directed away from you.

1. Open the clamping lever for adjusting the grip and the guard.
2. Turn the grip and the guard to the desired position.
3. Close the clamping lever.

## 6 Types of work

### 6.1 Switching on

1. Press the rear section of the on/off switch.
2. Slide the on/off switch forward.
  - ↳ The motor runs.
3. Lock the on/off switch.



## 6.2 Setting the speed

- ▶ Use the adjusting knob to set the speed.

### 6.2.1 Speed settings

<b>Stage 1</b>	1,220 /min
<b>Stage 2</b>	1,360 /min
<b>Stage 3</b>	1,560 /min
<b>Stage 4</b>	1,840 /min
<b>Stage 5</b>	2,240 /min
<b>Stage 6</b>	2,750 /min

## 6.3 Grinding

### CAUTION

**Risk of injury!** Grinding makes the workpiece hot.

- ▶ Do not attempt to touch the workpiece immediately after grinding and always wear suitable protective gloves to prevent burns. Keep everyone clear of your work zone.

1. Lift the satin finisher clear of the work surface.
2. Switch the tool on. → page 7
  - ↳ The power tool then runs in sustained operating mode.
3. Set the speed. → page 8
4. Bring the satin finisher with the tool into contact with the work surface and keep it moving with a steady back-and-forth action.
5. Apply moderate pressure and do not press the abrasive belt into the material.
6. For a decorative surface finish, move the satin finisher only with a steady back-and-forth, linear action. Avoid movements at angles to the work.

## 6.4 Using the fence

The fence ensures precision in-line action for working on profiles.

1. Release the locking screw on the fence.
2. Adjust the fence.
3. Tighten the locking screw.

## 6.5 Switching off

- ▶ Press the rear section of the on/off switch.
  - ↳ The on/off switch jumps into the off position and the motor stops.

## 7 Optional accessories

### 7.1 Installing the extractor hood

1. Remove the securing screw for the guard.
2. Turn the locking ring for guard attachment to open it.
3. Pull the guard up toward the grip and off the gear head.
4. From above, slip the extractor hood into the holder.
5. Tighten the locking ring to secure the hood.
6. Reinstall the securing screw.

## 8 Care and maintenance

### WARNING

**Risk of injury with battery inserted !**

- ▶ Always remove the battery before carrying out care and maintenance tasks!



### Care and maintenance of the tool

- Carefully remove any dirt that may be adhering to parts.
- Remove the dust filter and clean it and the air vents carefully, using a dry brush.
- Use only a slightly damp cloth to clean the casing. Do not use cleaning agents containing silicone as these can attack the plastic parts.

### Care of the lithium-ion batteries

- Keep the battery free from oil and grease.
- Use only a slightly damp cloth to clean the casing. Do not use cleaning agents containing silicone as these may attack the plastic parts.
- Avoid ingress of moisture.

### Maintenance

- Check all visible parts and controls for signs of damage at regular intervals and make sure that they all function correctly.
- Do not operate the product if signs of damage are found or if parts malfunction. Have it repaired immediately by **Hilti Service**.
- After cleaning and maintenance, fit all guards or protective devices and check that they function correctly.



To help ensure safe and reliable operation, use only genuine Hilti spare parts and consumables. Spare parts, consumables and accessories approved by Hilti for use with the product can be found at your local **Hilti Store** or online at: [www.hilti.group](http://www.hilti.group).

## 8.1 Changing the fence



A worn fence can be replaced.

1. Remove the securing screw of the fence.
2. Remove the worn fence and insert the new fence.
3. Reinstall the securing screw with washer and O-ring.

## 9 Transport and storage of cordless tools

### Transport



#### CAUTION

#### Accidental starting during transport !

- ▶ Always transport your products with the batteries removed!
- ▶ Remove the battery.
- ▶ Never transport batteries in bulk form (loose, unprotected).
- ▶ Check the tool and batteries for damage before use after long periods of transport.

### Storage



#### CAUTION

#### Accidental damage caused by defective or leaking batteries !

- ▶ Always store your products with the batteries removed!
- ▶ Store the tool and batteries in a place that is as cool and dry as possible.
- ▶ Never store batteries in direct sunlight, on heating units or behind a window pane.
- ▶ Store the tool and batteries in a place where they cannot be accessed by children or unauthorized persons.
- ▶ Check the tool and batteries for damage before use after long periods of storage.

## 10 Troubleshooting

If the trouble you are experiencing is not listed in this table or you are unable to remedy the problem by yourself, please contact **Hilti Service**.



## 10.1 Troubleshooting

Trouble or fault	Possible cause	Action to be taken
The battery runs down more quickly than usual.	Very low ambient temperature.	▶ Allow the battery to warm up slowly to room temperature.
The battery doesn't engage with an audible click.	The retaining lugs on the battery are dirty.	▶ Clean the retaining lugs and refit the battery.
1 LED flashes. The device does not work.	Low battery.	▶ Change the battery and charge the empty battery.
	The battery is too hot or too cold.	▶ Allow the battery to cool down or warm up slowly to room temperature.
All 4 LEDs flash. The device does not work.	The tool has been overloaded.	▶ Switch the power tool off and then on again. Then allow the power tool to run under no load for approx. 30 seconds.
The power tool or battery gets very hot.	Electrical fault	▶ Switch the power tool off immediately, remove the battery, keep it under observation, allow it to cool down and contact <b>Hilti Service</b> .
The tool does not achieve full power.	A battery with inadequate capacity was used.	▶ Use a battery with adequate capacity.
The motor has no braking effect.	Low battery.	▶ Change the battery and charge the empty battery.
	The power tool was overloaded briefly.	▶ Release the control switch and then press it again.

## 11 Disposal

Most of the materials from which **Hilti** tools and appliances are manufactured can be recycled. The materials must be correctly separated before they can be recycled. In many countries, your old tools, machines or appliances can be returned to **Hilti** for recycling. Ask **Hilti Service** or your Hilti representative for further information.

### Battery disposal

Improper disposal of batteries can result in health hazards from leaking gases or fluids.

- ▶ DO NOT send batteries through the mail!
- ▶ Cover the terminals with a non-conductive material (such as electrical tape) to prevent short circuiting.
- ▶ Dispose of your battery out of the reach of children.
- ▶ Dispose of the battery at your **Hilti Store**, or consult your local governmental garbage disposal or public health and safety resources for disposal instructions.



- ▶ Do not dispose of power tools, electronic equipment or batteries as household waste!

## 12 Manufacturer's warranty

- ▶ Please contact your local **Hilti** representative if you have questions about the warranty conditions.





# Mode d'emploi original

## 1 Indications relatives à la documentation

### 1.1 À propos de cette documentation

- Lire intégralement la présente documentation avant la mise en service. C'est la condition préalablement requise pour assurer la sécurité du travail et un maniement sans perturbations.
- Bien respecter les consignes de sécurité et les avertissements de la présente documentation ainsi que celles figurant sur le produit.
- Toujours conserver le mode d'emploi à proximité du produit et uniquement le transmettre à des tiers avec ce mode d'emploi.

### 1.2 Explication des symboles

#### 1.2.1 Avertissements

Les avertissements attirent l'attention sur des dangers liés à l'utilisation du produit. Les termes de signalisation suivants sont utilisés :

**DANGER**

**DANGER !**

- ▶ Pour un danger imminent qui peut entraîner de graves blessures corporelles ou la mort.

**AVERTISSEMENT**

**AVERTISSEMENT !**

- ▶ Pour un danger potentiel qui peut entraîner de graves blessures corporelles ou la mort.

**ATTENTION**

**ATTENTION !**

- ▶ Pour attirer l'attention sur une situation pouvant présenter des dangers entraînant des blessures corporelles légères ou des dégâts matériels.

#### 1.2.2 Symboles dans la documentation

Les symboles suivants sont utilisés dans la présente documentation :

	Lire le mode d'emploi avant d'utiliser l'appareil
	Pour des conseils d'utilisation et autres informations utiles
	Maniement des matériaux recyclables
	Ne pas jeter les appareils électriques et les accus dans les ordures ménagères

#### 1.2.3 Symboles dans les illustrations

Les symboles suivants sont utilisés dans les illustrations :

<b>2</b>	Ces chiffres renvoient à l'illustration correspondante au début du présent mode d'emploi
3	La numérotation détermine la séquence des étapes de travail dans l'image et peut se différencier de celles des étapes de travail dans le texte
⑪	Les numéros de position sont utilisés dans l'illustration <b>Vue d'ensemble</b> et renvoient aux numéros des légendes dans la section <b>Vue d'ensemble du produit</b>
	Ce signe doit inviter à manier le produit en faisant particulièrement attention.



### 1.3 Symboles spécifiques au produit

#### 1.3.1 Symboles sur le produit

Les symboles suivants peuvent être utilisés sur le produit :

	L'appareil prend en charge la technologie NFC qui est compatible avec les plates-formes iOS et Android.
Li-Ion	Accu lithium-ions
	Série de type d'accu Li-Ion <b>HilTi</b> utilisée. Observer les instructions au chapitre <b>Utilisation conforme à l'usage prévu</b> .
	Ne jamais utiliser l'accu comme outil de percussion.
	Ne pas laisser tomber l'accu. Ne pas utiliser d'accu ayant subi un choc ou d'autres dommages.
	Porter des lunettes de protection
n	Vitesse de rotation de référence
/min	Tours par minute
RPM	Tours par minute
	Diamètre

### 1.4 Informations produit

Les produits **HILTI** sont destinés aux professionnels et ne doivent être utilisés, entretenus et réparés que par un personnel autorisé et formé. Ce personnel doit être spécialement instruit quant aux dangers inhérents à l'utilisation de l'appareil. Le produit et ses accessoires peuvent s'avérer dangereux s'ils sont utilisés de manière incorrecte par un personnel non qualifié ou de manière non conforme à l'usage prévu.

La désignation du modèle et le numéro de série figurent sur sa plaque signalétique.

- Inscrivez le numéro de série dans le tableau suivant. Les informations produit vous seront demandées lorsque vous contactez nos revendeurs ou services après-vente.

#### Caractéristiques produit

Satineuse sans fil	GPB 6X-A22
Génération	01
N° de série.	

### 1.5 Déclaration de conformité

Nous déclarons sous notre seule et unique responsabilité que le produit décrit ici est conforme aux directives et normes en vigueur. Une copie de l'attestation délivrée par l'organisme de certification se trouve en fin de la présente documentation.

Pour obtenir les documentations techniques, s'adresser à :

**Hilti** Entwicklungsgesellschaft mbH | Zulassung Geräte | Hiltistraße 6 | 86916 Kaufering, DE

## 2 Sécurité

### 2.1 Consignes de sécurité

#### 2.1.1 Indications générales de sécurité pour les appareils électriques

**⚠ AVERTISSEMENT Lire toutes les consignes de sécurité et instructions, illustrations et caractéristiques techniques, qui accompagnent cet outil électroportatif.** Tout manquement à l'observation des instructions suivantes risque de provoquer une électrocution, un incendie et/ou de graves blessures.

**Les consignes de sécurité et instructions doivent être intégralement conservées pour les utilisations futures.**



La notion d'« outil électroportatif » mentionnée dans les consignes de sécurité se rapporte à des outils électriques raccordés au secteur (avec câble d'alimentation) et à des outils électriques sur accu (sans câble d'alimentation).

### Sécurité sur le lieu de travail

- ▶ **Conserver la zone de travail propre et bien éclairée.** Un lieu de travail en désordre ou mal éclairé augmente le risque d'accidents.
- ▶ **Ne pas faire fonctionner les outils électriques en atmosphère explosive et où se trouvent des liquides, des gaz ou poussières inflammables.** Les outils électriques produisent des étincelles qui peuvent enflammer les poussières ou les fumées.
- ▶ **Maintenir les enfants et les personnes présentes à l'écart pendant l'utilisation de l'outil électroportatif.** En cas d'inattention il y a risque de perdre le contrôle de l'appareil.

### Sécurité relative au système électrique

- ▶ **La fiche de secteur de l'outil électroportatif doit être adaptée à la prise de courant. Ne jamais modifier la fiche de quelque façon que ce soit. Ne pas utiliser d'adaptateurs avec des outils électriques à branchement de terre.** Des fiches non modifiées et des prises de courant adaptées réduiront le risque de choc électrique.
- ▶ **Éviter le contact physique avec des surfaces mises à la terre tels que tuyaux, radiateurs, cuisinières et réfrigérateurs.** Il y a un risque élevé de choc électrique au cas où votre corps serait relié à la terre.
- ▶ **Ne pas exposer les outils électroportatifs à la pluie ou à l'humidité.** La pénétration d'eau à l'intérieur d'un outil électroportatif augmentera le risque d'un choc électrique.
- ▶ **Ne jamais utiliser le câble de raccordement à d'autres fins que celles prévues, telles que pour porter, accrocher ou débrancher l'outil électroportatif de la prise de courant. Maintenir le câble de raccordement à l'écart de la chaleur, des parties grasses, des bords tranchants ou des parties en mouvement.** Des câbles de raccordement endommagés ou emmêlés augmentent le risque de choc électrique.
- ▶ **Si l'outil électroportatif est utilisé à l'extérieur, utiliser uniquement des câbles de rallonge homologués pour les applications extérieures.** L'utilisation d'un câble de rallonge homologué pour les applications extérieures réduit le risque d'un choc électrique.
- ▶ **Si l'utilisation de l'outil électrique dans un environnement humide ne peut pas être évitée, utiliser un interrupteur de protection contre les courants de court-circuit.** L'utilisation d'un tel interrupteur de protection réduit le risque d'une décharge électrique.

### Sécurité des personnes

- ▶ **Rester vigilant, surveiller ce que l'on fait. Faire preuve de bon sens en utilisant l'outil électroportatif. Ne pas utiliser l'outil électroportatif en étant fatigué ou sous l'emprise de l'alcool, de drogues ou de médicaments.** Un moment d'inattention lors de l'utilisation de l'outil électroportatif peut entraîner des blessures graves.
- ▶ **Utiliser un équipement de protection personnel et toujours porter une protection pour les yeux.** Les équipements de protection personnels tels que masque antipoussière, chaussures de sécurité antidérapantes, casque de protection ou protection acoustique suivant l'utilisation de l'outil électroportatif, réduiront le risque de blessures des personnes.
- ▶ **Éviter une mise en service par mégarde. S'assurer que l'outil électroportatif est arrêté avant de le brancher à la source de courant et/ou à l'accu, de le prendre ou de le porter.** Le fait de porter l'outil électroportatif avec le doigt sur l'interrupteur ou de brancher l'appareil sur la source de courant lorsque l'interrupteur est en position de fonctionnement peut entraîner des accidents.
- ▶ **Retirer tout outil de réglage ou toute clé avant de mettre l'outil électroportatif en fonctionnement.** Une clé ou un outil se trouvant sur une partie en rotation peut causer des blessures.
- ▶ **Adopter une bonne posture. Veiller à toujours garder une position stable et équilibrée.** Cela permet un meilleur contrôle de l'outil électroportatif dans des situations inattendues.
- ▶ **S'habiller de manière adaptée. Ne pas porter de vêtements amples ni de bijoux. Garder les cheveux, les vêtements et les gants à distance des parties en mouvement.** Des vêtements amples, des bijoux ou des cheveux longs peuvent être happés par des parties en mouvement.
- ▶ **Si des dispositifs servant à aspirer ou à recueillir les poussières doivent être utilisés, s'assurer qu'ils sont effectivement raccordés et correctement utilisés.** L'utilisation d'un dispositif d'aspiration de la poussière peut réduire les risques dus aux poussières.
- ▶ **Ne pas sous-estimer les mesures de sécurité à prendre et ne pas ignorer sciemment les règles de sécurité applicables aux outils électriques, même si l'on est utilisateur chevronné après de fréquentes utilisations de l'outil électroportatif.** Un manque d'attention peut conduire à de graves blessures en quelques fractions de seconde.



### Utilisation et maniement de l'outil électroportatif

- ▶ **Ne pas forcer l'appareil. Utiliser l'outil électroportatif adapté au travail à effectuer.** Un outil électroportatif approprié réalisera mieux le travail et de manière plus sûre au régime pour lequel il a été conçu.
- ▶ **Ne pas utiliser d'outil électroportatif dont l'interrupteur est défectueux.** Tout outil électroportatif qui ne peut plus être mis en ou hors fonctionnement est dangereux et doit être réparé.
- ▶ **Débrancher la fiche de la prise de courant et/ou l'accu amovible avant d'effectuer des réglages sur l'appareil, de changer les accessoires, ou de ranger l'appareil.** Cette mesure de précaution empêche une mise en fonctionnement par mégarde de l'outil électroportatif.
- ▶ **Conserver les outils électroportatifs non utilisés hors de portée des enfants. Ne permettre l'utilisation de l'appareil à aucune personne qui ne soit pas familiarisée avec celui-ci ou qui n'a pas lu ces instructions.** Les outils électroportatifs sont dangereux lorsqu'ils sont entre les mains de personnes non initiées.
- ▶ **Prendre soin des outils électroportatifs et des accessoires. Vérifier que les parties en mouvement fonctionnent correctement et qu'elles ne sont pas coincées, et contrôler si des parties sont cassées ou endommagées de sorte que le bon fonctionnement de l'outil électroportatif s'en trouve entravé. Faire réparer les parties endommagées avant d'utiliser l'appareil.** De nombreux accidents sont dus à des outils électroportatifs mal entretenus.
- ▶ **Garder les outils de coupe affûtés et propres.** Des outils destinés à couper correctement entretenus avec des arêtes de coupe tranchantes sont moins susceptibles de bloquer et sont plus faciles à contrôler.
- ▶ **L'outil électroportatif, les accessoires, les outils amovibles, etc. doivent être utilisés conformément à ces instructions. Tenir également compte des conditions de travail et du travail à réaliser.** L'utilisation des outils électroportatifs à d'autres fins que celles prévues peut entraîner des situations dangereuses.
- ▶ **Veiller à ce que les poignées et surfaces de préhension soient toujours être sèches, propres et exemptes de traces de graisse ou d'huile.** Avec des poignées et surfaces de préhension glissantes, la sécurité et le contrôle de l'outil électroportatif ne peuvent être assurés dans des situations inopinées.

### Utilisation et maniement de l'outil sur accu

- ▶ **Ne charger les accus que dans des chargeurs recommandés par le fabricant.** Si un chargeur approprié à un type spécifique d'accus est utilisé avec des accus non recommandés pour celui-ci, il y a risque d'incendie.
- ▶ **Dans les outils électroportatifs, utiliser uniquement les accus spécialement prévus pour ceux-ci.** L'utilisation de tout autre accu peut entraîner des blessures et des risques d'incendie.
- ▶ **Tenir l'accu non utilisé à l'écart de tous objets métalliques tels qu'agrafes, pièces de monnaie, clés, clous, vis ou autres, étant donné qu'un pontage peut provoquer un court-circuit.** Un court-circuit entre les contacts d'accu peut provoquer des brûlures ou un incendie.
- ▶ **En cas d'utilisation abusive, du liquide peut sortir de l'accu. Éviter tout contact avec ce liquide. En cas de contact par mégarde, rincer soigneusement avec de l'eau. Au cas où le liquide rentrerait dans les yeux, consulter en plus un médecin.** Le liquide qui sort de l'accu peut entraîner des irritations de la peau ou causer des brûlures.
- ▶ **Ne pas utiliser d'accu endommagé ou modifié.** Des accus endommagés ou modifiés peuvent avoir un comportement imprévisible et provoquer un incendie, une explosion ou engendrer un risque de blessures.
- ▶ **Ne jamais exposer l'accu au feu ou à des températures trop élevées.** Le feu ou des températures supérieures à 130 °C (265 °F) peuvent provoquer une explosion.
- ▶ **Suivre toutes les instructions de charge et ne jamais charger l'accu ou l'outil sur accu hors de la plage de températures spécifiée dans le manuel d'utilisation.** Une charge inappropriée ou hors de la plage de températures spécifiée risque d'endommager l'accu et accroître le risque d'incendie.

### Service

- ▶ **L'outil électroportatif doit uniquement être réparé par un personnel qualifié et seulement avec des pièces de rechange d'origine.** Ceci permet d'assurer la sécurité de l'appareil.
- ▶ **Ne jamais entretenir d'accus endommagés.** Toutes les opérations d'entretien sur des accus doivent exclusivement être réalisées par le fabricant ou un prestataire de service client agréé.

### 2.1.2 Consignes de sécurité supplémentaires

#### Sécurité des personnes

- ▶ Utiliser le produit uniquement s'il est en parfait état.
- ▶ Ne jamais entreprendre de manipulation ni de modification sur l'appareil.
- ▶ Éviter de toucher des pièces en rotation – Risque de blessures !



- ▶ Toujours tenir l'appareil des deux mains par les poignées prévues à cet effet. Tenir les poignées toujours sèches et propres.
- ▶ Attendre jusqu'à ce que le produit soit complètement arrêté avant de le déposer.
- ▶ Porter aussi des gants de protection pour changer d'outil. Risque de blessures par coupure et de brûlures au contact avec l'outil amovible.
- ▶ Veiller à ce que le poste de travail soit bien ventilé et porter, le cas échéant, un masque de protection respiratoire adapté au type de poussières. Le contact ou l'aspiration de poussière peut provoquer des réactions allergiques et/ou des maladies respiratoires de l'utilisateur ou de toute personne se trouvant à proximité.
- ▶ Avant le début du travail, prendre connaissance de la classe de risque de la poussière générée lors des travaux. Les poussières de matériaux telles que des peintures contenant du plomb, certains types de bois, du béton / de la maçonnerie / des pierres naturelles qui contiennent du quartz ainsi que des minéraux et des métaux peuvent être nuisibles à la santé. Certaines poussières, telles que des poussières de chêne ou de hêtre, sont réputées être cancérigènes, en particulier lorsqu'elles sont combinées à des additifs destinés au traitement du bois (chromate, produit de protection du bois).
- ▶ Faire régulièrement des pauses et des exercices pour favoriser l'irrigation sanguine dans les doigts. En cas de travaux prolongés, les vibrations peuvent perturber la circulation dans les vaisseaux sanguins ou le système nerveux dans les doigts, les mains ou le poignet.

#### Utilisation et emploi soigneux de l'outil électroportatif

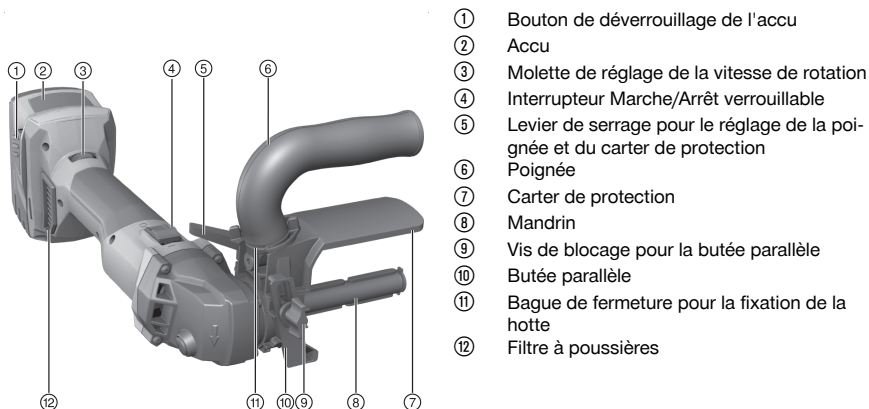
- ▶ Ne pas déposer le produit sur la batterie.

#### 2.1.3 Utilisation et emploi soigneux des batteries

- ▶ Respecter les directives spécifiques relatives au transport, au stockage et à l'utilisation des batteries li-ion.
- ▶ Ne pas exposer les batteries à des températures élevées, ni au rayonnement direct du soleil ou au feu.
- ▶ Les batteries ne doivent pas être démontées, écrasées, chauffées à une température supérieure à 80 °C ou jetées au feu.
- ▶ Ne jamais utiliser ni charger d'accus qui ont subi un choc électrique, qui sont tombés de plus d'un mètre ou qui ont été endommagés d'une manière quelconque. Si tel est le cas, il convient de contacter le **S.A.V Hilti**.
- ▶ Si la batterie est trop chaude pour être touchée, elle peut être défectueuse. Déposer le produit à un endroit non inflammable d'où il peut être surveillé, à une distance suffisante de matériaux inflammables et le laisser refroidir. Si tel est le cas, il convient de contacter le **S.A.V Hilti**.

## 3 Description

### 3.1 Vue d'ensemble du produit



### 3.2 Utilisation conforme à l'usage prévu

Le produit décrit est une satineuse sans fil à guidage manuel. Elle est conçue pour le traitement de surface, par ex. le satinage, la structuration, le polissage, le brossage, le lustrage ou l'ébavurage de l'acier, l'acier inoxydable ou les métaux non ferreux.

- ▶ Pour ce produit, utiliser exclusivement les accus Li-Ion **Hilti** de la série B 22.
- ▶ Pour ces accus, utiliser exclusivement les chargeurs **Hilti** de la série C4/36.

### 3.3 Mauvaise utilisation possible

Le produit ne doit pas être utilisé pour le ponçage à l'eau.

Le produit ne doit pas être utilisé pour travailler sur des matériaux susceptibles de nuire à la santé ou facilement inflammables (par ex. amiante, magnésium, bois).

### 3.4 Éléments livrés

Satineuse, rouleau caoutchouc pneumatique, pompe à air, mode d'emploi.

D'autres produits système autorisés pour votre produit peuvent être obtenus auprès du centre **Hilti Store** ou en ligne sous : [www.hilti.group](http://www.hilti.group)

### 3.5 Système de protection thermique du moteur

Ce système de protection thermique supervise l'intensité du courant absorbé ainsi que le réchauffement du moteur, écartant ainsi tout risque de surchauffe de l'appareil.

Si le moteur vient à être en surcharge du fait d'une pression exercée trop importante, la puissance de l'appareil est considérablement réduite ou l'appareil peut s'arrêter.

En cas d'arrêt ou de diminution de vitesse de rotation à cause d'une surcharge, dégager l'appareil et le laisser tourner à vide pendant 30 secondes environ.

### 3.6 Indicateur de l'état de charge de l'accu Li-Ion

L'état de charge de l'accu Li-Ion peut être visualisé en appuyant légèrement sur l'un des deux boutons de déverrouillage.

État	Signification
4 LED allumées.	État de charge : 75 % à 100 %
3 LED allumées.	État de charge : 50 % à 75 %
2 LED allumées.	État de charge : 25 % à 50 %
1 LED allumée.	État de charge : 10 % à 25 %
1 LED clignote.	État de charge : < 10 %



Il n'est pas possible de consulter l'indicateur de l'état de charge pendant et immédiatement après les travaux. Si les LED de l'indicateur de l'état de charge de l'accu clignotent, se reporter au chapitre Aide au dépannage.

## 4 Caractéristiques techniques

<b>Poids (accu inclus) B22/8.0</b>	3,5 kg (7,7 lb)
<b>Tension de référence</b>	21,6 V
<b>Plage de vitesse de rotation</b>	1.220 tr/min ... 2.750 tr/min
<b>Diamètre maximal de l'outil</b>	4 in
<b>Largeur maximale de l'outil</b>	100 mm (3,9 in)
<b>Mandrin</b>	19 mm (0,7 in)



Température de service en cours de service	-17 °C ... 60 °C (1 °F ... 140 °F)
Température de stockage	-20 °C ... 70 °C (-4 °F ... 158 °F)

#### 4.1 Batterie

Tension nominale de l'accu	21,6 V
Température de service en cours de service	-17 °C ... 60 °C (1 °F ... 140 °F)
Température de stockage	-20 °C ... 40 °C (-4 °F ... 104 °F)
Température de l'accu au début de la charge	-10 °C ... 45 °C (14 °F ... 113 °F)

## 5 Préparatifs

### ATTENTION

#### Risque de blessures du fait d'une mise en marche inopinée !

- ▶ Avant d'insérer l'accu, s'assurer que le produit correspondant est bien sur arrêt.
- ▶ Retirer le bloc-accu, avant d'effectuer des réglages sur l'appareil ou de changer les accessoires.

Bien respecter les consignes de sécurité et les avertissements de la présente documentation ainsi que celles figurant sur le produit.

#### 5.1 Recharge de l'accu

1. Avant de commencer la charge, lire le mode d'emploi du chargeur.
2. Veiller à ce que les contacts de l'accu et du chargeur sont propres et secs.
3. Charger l'accu à l'aide d'un chargeur homologué.

#### 5.2 Introduction de l'accu

### ATTENTION

#### Risque de blessures du fait d'un court-circuit ou de la chute de l'accu !

- ▶ Avant d'insérer l'accu dans l'appareil, s'assurer que les contacts de l'accu et les contacts sur le produit sont exempts de corps étrangers.
- ▶ S'assurer que l'accu s'encliquette toujours correctement.

1. L'accu doit être entièrement chargé avant la première mise en service.
2. Insérer l'accu dans l'appareil jusqu'à ce qu'il s'encliquette avec un clic audible.
3. Vérifier que l'accu est bien en place.

#### 5.3 Retrait de l'accu

1. Appuyer sur les boutons de déverrouillage de l'accu.
2. Retirer l'accu hors de l'appareil.

#### 5.4 Montage de l'outil

1. Appuyer sur le bouton de blocage de la broche et le maintenir enfoncé.
2. Enfiler l'outil avec la rainure correctement positionnée sur le porte-outil.
3. Appuyer l'outil en forçant contre la pression du ressort sur le porte-outil et le tourner dans le sens horaire.
  - ↳ Le porte-outil est verrouillé.



Pour les outils plus minces inférieurs à 100 mm de large, la différence de largeur doit être compensée avec des bagues d'écartement.

4. Relâcher le bouton de blocage de la broche.



5. Mettre l'accu en place. → Page 17
6. Procéder à une marche d'essai. Laisser tourner la satineuse pendant 30 secondes sans contrainte et s'assurer de l'absence de vibrations et de balourd.
  - ↳ En présence de vibrations ou de balourd, démonter l'outil et le remonter. Veiller au positionnement correct. Ne pas utiliser d'outils ni de bagues d'écartement endommagés.

### 5.5 Rouleau caoutchouc pneumatique

1. Le cas échéant, évacuer l'air du rouleau caoutchouc pneumatique par la valve. Pour ce faire, utiliser la face arrière du capuchon de valve.
2. Le cas échéant, retirer la bande abrasive du rouleau caoutchouc pneumatique.
3. Enfiler une nouvelle bande abrasive sur le rouleau caoutchouc pneumatique. S'assurer que la bande abrasive ne dépasse pas sur les côtés.
4. Gonfler le rouleau caoutchouc pneumatique avec la pompe à air fournie pour tendre la bande abrasive. Revisser ensuite le capuchon de la valve.

### 5.6 Réglage du carter de protection et de la poignée

Toujours régler le carter de protection de sorte que la matière enlevée s'écarte de l'opérateur.

1. Ouvrir le levier de serrage pour le réglage de la poignée et du carter de protection.
2. Tourner la poignée et le carter de protection dans la position souhaitée.
3. Fermer le levier de serrage.

## 6 Travail

### 6.1 Mise en marche

1. Appuyer sur la partie arrière de l'interrupteur Marche/Arrêt.
2. Pousser l'interrupteur Marche/Arrêt vers l'avant.
  - ↳ Le moteur tourne.
3. Bloquer l'interrupteur Marche/Arrêt.

### 6.2 Réglage de la vitesse de rotation

- ▶ Régler la vitesse de rotation via la molette de réglage.

#### 6.2.1 Niveaux de vitesse de rotation

Niveau 1	1.220 tr/min
Niveau 2	1.360 tr/min
Niveau 3	1.560 tr/min
Niveau 4	1.840 tr/min
Niveau 5	2.240 tr/min
Niveau 6	2.750 tr/min

### 6.3 Ponçage

#### ATTENTION

**Risque de blessures !** La pièce chauffe pendant l'usinage.

- ▶ Une fois l'usinage de la pièce terminé, ne pas la saisir ou porter des gants de protection pour éviter toute brûlure. Veiller à ce que personne ne se tienne à proximité de l'espace de travail.

1. Soulever la satineuse de la surface de travail.
2. Mettre le produit en marche. → Page 18
  - ↳ Le produit fonctionne en continu.
3. Régler la vitesse de rotation. → Page 18
4. Mettre en place la satineuse avec l'outil sur la pièce à travailler et la déplacer avant et en arrière.





5. Travailler en exerçant une pression modérée et ne pas enfoncer la bande abrasive dans le matériau.
6. Pour une finition décorative de la surface, déplacer la satineuse exclusivement de manière linéaire d'avant en arrière. Éviter tout déplacement perpendiculaire à l'outil.

#### 6.4 Utilisation de la butée parallèle

La butée parallèle garantit la marche en ligne droite exacte lors de l'usinage de profilés.

1. Desserrer la vis de blocage de la butée parallèle.
2. Régler la butée parallèle.
3. Serrer la vis de blocage à fond.

#### 6.5 Arrêt

- ▶ Appuyer sur la partie arrière de l'interrupteur Marche/Arrêt.
  - ↳ L'interrupteur Marche/Arrêt se met sur la position Arrêt et le moteur s'arrête.

## 7 Accessoires optionnels

### 7.1 Montage de la hotte aspirante

1. Démontez la vis de fixation pour la hotte aspirante.
2. Tourner la bague de fermeture de fixation de la hotte pour l'ouvrir.
3. Tirer la hotte de protection en direction de la poignée vers le haut pour la détacher de la tête de réduction.
4. Pousser la hotte aspirante par en haut dans le logement.
5. Fermer la bague de fermeture pour la fixation de la hotte.
6. Remonter la vis de fixation.

## 8 Nettoyage et entretien



### AVERTISSEMENT

**Risque de blessures lorsque l'accu est inséré !**

- ▶ Toujours retirer l'accu avant tous travaux de nettoyage et d'entretien !

#### Entretien de l'appareil

- Éliminer prudemment les saletés récalcitrantes.
- Retirer le filtre à poussière, le nettoyer avec précaution ainsi que les ouïes d'aération au moyen d'une brosse sèche.
- Nettoyer le boîtier uniquement avec un chiffon légèrement humidifié. Ne pas utiliser de nettoyeurs à base de silicone, ceci pourrait attaquer les pièces en plastique.

#### Entretien des accus Li-ion

- Veiller à ce que l'accu soit toujours propre et exempt de traces de graisse et d'huile.
- Nettoyer le boîtier uniquement avec un chiffon légèrement humidifié. Ne pas utiliser de nettoyeurs à base de silicone, ceci pourrait attaquer les pièces en plastique.
- Éviter toute pénétration d'humidité.

#### Entretien

- Vérifier régulièrement qu'aucune pièce visible n'est endommagée et que les organes de commande sont parfaitement opérationnels.
- En cas d'endommagements et/ou de dysfonctionnements, ne pas utiliser le produit. Le faire immédiatement réparer par le S.A.V. **Hilti**.
- Après des travaux de nettoyage et d'entretien, vérifier si tous les équipements de protection sont bien en place et fonctionnent parfaitement.



Pour une utilisation en toute sécurité, utiliser uniquement des pièces de rechange et consommables d'origine. Vous trouverez les pièces de rechange, consommables et accessoires autorisés convenant pour votre produit dans le centre **Hilti Store** ou sous : [www.hilti.group](http://www.hilti.group).



## 8.1 Remplacement de la butée parallèle

En cas d'usure, la butée parallèle peut être remplacée.

1. Dévisser la vis de fixation de la butée parallèle.
2. Retirer la butée parallèle usée et mettre en place la nouvelle butée parallèle.
3. Remonter la vis de fixation avec une rondelle et un joint torique.

## 9 Transport et stockage des appareils sur accu

### Transport

#### ATTENTION

#### Mise en marche inopinée lors du transport !

- ▶ Toujours retirer les accus avant de transporter les produits !
- ▶ Retirer les accus.
- ▶ Ne jamais transporter les accus en vrac.
- ▶ Avant toute utilisation consécutive à un transport prolongé de l'appareil et des accus, toujours vérifier qu'ils ne sont pas endommagés.

### Stockage

#### ATTENTION

#### Endommagement involontaire du fait d'accus défectueux ou de chute d'accu !

- ▶ Toujours retirer les accus avant de stocker les produits !
- ▶ Stocker l'appareil et les accus si possible au frais et au sec.
- ▶ Ne jamais stocker les accus exposés au soleil, sur des installations de chauffage ou derrière des vitres.
- ▶ Stocker l'appareil et les accus hors de portée des enfants et des personnes non autorisées.
- ▶ Avant toute utilisation consécutive à un stockage prolongé de l'appareil et des accus, toujours vérifier qu'ils ne sont pas endommagés.

## 10 Aide au dépannage

En cas de défaillances non énumérées dans ce tableau ou auxquelles il n'est pas possible de remédier sans aide, contacter le S.A.V. Hilti.

### 10.1 Guide de dépannage

Défaillance	Causes possibles	Solution
L'accu se décharge plus rapidement que d'habitude.	Température ambiante très basse.	▶ Laisser l'accu se réchauffer lentement à la température ambiante.
L'accu ne s'encliquette pas avec un « clic » audible.	Ergots d'encliquetage encrassés sur l'accu.	▶ Nettoyer les ergots d'encliquetage et réencliqueter l'accu dans son logement.
1 LED clignote. L'appareil ne fonctionne pas.	L'accu est déchargé.	▶ Remplacer l'accu et charger l'accu vide.
	L'accu est trop froid ou trop chaud.	▶ Laisser l'accu se réchauffer ou refroidir lentement à la température ambiante.
Toutes les 4 LED clignent. L'appareil ne fonctionne pas.	L'appareil est surchargé.	▶ Arrêter puis remettre en marche l'appareil. Laisser ensuite l'appareil tourner à vide pendant 30 secondes environ.
Important dégagement de chaleur dans l'appareil ou dans l'accu.	Défaut électrique	▶ Arrêter immédiatement l'appareil, sortir l'accu et l'examiner, le laisser refroidir et contacter le S.A.V. Hilti.



Défaillance	Causes possibles	Solution
L'appareil n'atteint pas la pleine puissance.	Accu avec capacité insuffisante mis en place.	► Utiliser un accu d'une capacité suffisante.
Aucune fonction de freinage du moteur.	L'accu est déchargé.	► Remplacer l'accu et charger l'accu vide.
	Surcharge momentanée de l'appareil.	► Relâcher le variateur électronique de vitesse et l'actionner à nouveau.

## 11 Recyclage

Les appareils **Hilti** sont fabriqués pour une grande partie en matériaux recyclables. Le recyclage présuppose un tri adéquat des matériaux. **Hilti** reprend les appareils usagés dans de nombreux pays en vue de leur recyclage. Consulter le service clients **Hilti** ou un conseiller commercial.

### Élimination des accus

Une élimination non conforme des accus peut produire des émanations de gaz et de liquides nocives pour la santé.

- Ne pas envoyer ni expédier d'accus endommagés !
- Recouvrir les raccordements avec un matériau non conducteur pour éviter tout court-circuit.
- Éliminer les accus en veillant à ce qu'ils soient hors de la portée des enfants.
- Éliminer l'accu en le déposant auprès du **Hilti Store** local ou s'adresser à l'entreprise de collecte des déchets compétente.



- Ne pas jeter les appareils électriques, électroniques et accus dans les ordures ménagères !

## 12 Garantie constructeur

- En cas de questions sur les conditions de garantie, veuillez vous adresser à votre partenaire **Hilti** local.

# Manual de instrucciones original

## 1 Información sobre la documentación

### 1.1 Acerca de esta documentación

- Lea detenidamente esta documentación antes de la puesta en servicio. Ello es imprescindible para un trabajo seguro y un manejo sin problemas.
- Respete las indicaciones de seguridad y las advertencias presentes en esta documentación y en el producto.
- Conserve este manual de instrucciones siempre junto con el producto y entregue el producto a otras personas siempre acompañado del manual.

### 1.2 Explicación de símbolos

#### 1.2.1 Avisos

Las advertencias de seguridad advierten de peligros derivados del manejo del producto. Se utilizan las siguientes palabras de peligro:

**PELIGRO**

**PELIGRO !**

- Término utilizado para un peligro inminente que puede ocasionar lesiones graves o incluso la muerte.

**ADVERTENCIA**

**ADVERTENCIA !**

- Término utilizado para un posible peligro que puede ocasionar lesiones graves o incluso la muerte.



**⚠ PRECAUCIÓN**

**PRECAUCIÓN !**

- ▶ Término utilizado para una posible situación peligrosa que puede ocasionar lesiones leves o daños materiales.

**1.2.2 Símbolos en la documentación**

En esta documentación se utilizan los siguientes símbolos:

	Leer el manual de instrucciones antes del uso
	Indicaciones de uso y demás información de interés
	Manejo con materiales reutilizables
	No tirar las herramientas eléctricas y las baterías junto con los desperdicios domésticos

**1.2.3 Símbolos en las figuras**

En las figuras se utilizan los siguientes símbolos:

	Estos números hacen referencia a la figura correspondiente incluida al principio de este manual
	La numeración describe el orden de los pasos de trabajo en la imagen y puede ser diferente de los pasos descritos en el texto
	Los números de posición se utilizan en la figura <b>Vista general</b> y los números de la leyenda están explicados en el apartado <b>Vista general del producto</b>
	Preste especial atención a este símbolo cuando utilice el producto.

**1.3 Símbolos de productos**

**1.3.1 Símbolos en el producto**

En el producto se pueden utilizar los siguientes símbolos:

	La herramienta admite la tecnología NFC, compatible con plataformas iOS y Android.
Li-Ion	Batería de Ion-Litio
	Serie utilizada de baterías de Ion-Litio <b>Hilti</b> . Consulte las indicaciones recogidas en el capítulo <b>Uso conforme a las prescripciones.</b>
	Nunca utilice la batería como herramienta de percusión.
	No deje que la batería se caiga. No utilice baterías que hayan recibido algún golpe ni que estén dañadas de alguna otra forma.
	Utilizar protección para los ojos
n	Velocidad de medición
/min	Revoluciones por minuto
RPM	Revoluciones por minuto
∅	Diámetro

**1.4 Información del producto**

Los productos han sido diseñados para usuarios profesionales y solo personal autorizado y debidamente formado puede utilizarlos y llevar a cabo su mantenimiento y conservación. Este personal



debe estar especialmente instruido en lo referente a los riesgos de uso. La utilización del producto y sus dispositivos auxiliares puede conllevar riesgos para el usuario en caso de manejarse de forma inadecuada por personal no cualificado o utilizarse para usos diferentes a los que están destinados.

La denominación del modelo y el número de serie están indicados en la placa de identificación.

- ▶ Escriba el número de serie en la siguiente tabla. Necesitará los datos del producto para realizar consultas a nuestros representantes o al Departamento de Servicio Técnico.

#### Datos del producto

Máquina de satinado con batería	GPB 6X-A22
Generación	01
N.º de serie	

### 1.5 Declaración de conformidad

Bajo nuestra exclusiva responsabilidad, declaramos que el producto aquí descrito cumple con las directivas y normas vigentes. Encontrará una reproducción del organismo certificador al final de esta documentación. La documentación técnica se encuentra depositada aquí:

Hilti Entwicklungsgesellschaft mbH | Zulassung Geräte | Hiltistraße 6 | 86916 Kaufering, DE

## 2 Seguridad

### 2.1 Indicaciones de seguridad

#### 2.1.1 Indicaciones generales de seguridad para herramientas eléctricas

**⚠ ADVERTENCIA** Lea con atención todas las indicaciones de seguridad, instrucciones, ilustraciones y datos técnicos correspondientes a esta herramienta eléctrica. La negligencia en el cumplimiento de las instrucciones que se describen a continuación podría provocar descargas eléctricas, incendios o lesiones graves.

**Conserve todas las instrucciones e indicaciones de seguridad para futuras consultas.**

El término «herramienta eléctrica» empleado en las indicaciones de seguridad se refiere a herramientas eléctricas portátiles, ya sea con cable de red o sin cable, en caso de ser accionadas por batería.

#### Seguridad en el puesto de trabajo

- ▶ **Mantenga su área de trabajo limpia y bien iluminada.** El desorden o una iluminación deficiente de las zonas de trabajo pueden provocar accidentes.
- ▶ **No utilice la herramienta eléctrica en un entorno con peligro de explosión en el que se encuentren líquidos, gases o polvos inflamables.** Las herramientas eléctricas producen chispas que pueden llegar a inflamar los materiales en polvo o vapores.
- ▶ **Mantenga alejados a los niños y otras personas de su puesto de trabajo al emplear la herramienta eléctrica.** Una distracción le puede hacer perder el control sobre la herramienta.

#### Seguridad eléctrica

- ▶ **El enchufe de la herramienta eléctrica debe corresponder a la toma de corriente utilizada. No se deberá modificar el enchufe en forma alguna. No utilice enchufes adaptadores para las herramientas eléctricas con puesta a tierra.** Los enchufes sin modificar adecuados a las respectivas tomas de corriente reducen el riesgo de descarga eléctrica.
- ▶ **Evite el contacto corporal con superficies que tengan puesta a tierra, como pueden ser tubos, calefacciones, cocinas y frigoríficos.** El riesgo a quedar expuesto a una sacudida eléctrica es mayor si su cuerpo tiene contacto con tierra.
- ▶ **No exponga las herramientas eléctricas a la lluvia y evite que penetren líquidos en su interior.** El riesgo de recibir descargas eléctricas aumenta si penetra agua en la herramienta eléctrica.
- ▶ **No utilice el cable de conexión para transportar o colgar la herramienta eléctrica ni tire de él para extraer el enchufe de la toma de corriente. Mantenga el cable de conexión alejado de fuentes de calor, aceite, aristas afiladas o piezas móviles.** Los cables de conexión dañados o enredados pueden provocar descargas eléctricas.
- ▶ **Cuando trabaje al aire libre con una herramienta eléctrica, utilice exclusivamente un alargador adecuado para exteriores.** La utilización de un alargador adecuado para su uso en exteriores evita el riesgo de una descarga eléctrica.
- ▶ **Cuando no pueda evitarse el uso de la herramienta eléctrica en un entorno húmedo, utilice un interruptor de corriente de defecto.** La utilización de un interruptor de corriente de defecto evita el riesgo de una descarga eléctrica.



## Seguridad de las personas

- ▶ **Permanezca atento, preste atención durante el trabajo y utilice la herramienta eléctrica con prudencia. No utilice una herramienta eléctrica si está cansado, ni tampoco después de haber consumido alcohol, drogas o medicamentos.** Un momento de descuido al utilizar la herramienta eléctrica podría producir graves lesiones.
- ▶ **Utilice el equipo de seguridad personal adecuado y lleve siempre gafas protectoras.** El riesgo de lesiones se reduce considerablemente si, según el tipo y la aplicación de la herramienta eléctrica empleada, se utiliza un equipo de seguridad personal adecuado como una mascarilla antipolvo, zapatos de seguridad con suela antideslizante, casco de protección o protección para los oídos.
- ▶ **Evite una puesta en servicio fortuita de la herramienta. Asegúrese de que la herramienta eléctrica está apagada antes de alzarla, transportarla, conectarla a la toma de corriente o insertar la batería.** Si transporta la herramienta eléctrica sujetándola por el interruptor de conexión/desconexión o si introduce el enchufe en la toma de corriente con la herramienta conectada, podría producirse un accidente.
- ▶ **Retire las herramientas de ajuste o llaves fijas antes de conectar la herramienta eléctrica.** Una herramienta o llave colocada en una pieza giratoria puede producir lesiones al ponerse en funcionamiento.
- ▶ **Evite adoptar posturas forzadas. Procure que la postura sea estable y manténgase siempre en equilibrio.** De esta forma podrá controlar mejor la herramienta eléctrica en caso de presentarse una situación inesperada.
- ▶ **Utilice ropa adecuada. No utilice vestimenta amplia ni joyas. Mantenga su pelo, vestimenta y guantes alejados de las piezas móviles.** La vestimenta suelta, las joyas y el pelo largo se pueden enganchar con las piezas en movimiento.
- ▶ **Siempre que sea posible montar equipos de aspiración o captación de polvo, asegúrese de que están conectados y de que se utilizan correctamente.** El uso de un sistema de aspiración de polvo reduce los riesgos derivados del polvo.
- ▶ **No se crea a salvo de cualquier riesgo ni pase por alto ninguna de las normas de seguridad relativas a las herramientas eléctricas, aun cuando esté familiarizado con la herramienta eléctrica y tenga larga experiencia en su uso.** Una actuación negligente puede provocar lesiones graves en cuestión de segundos.

## Uso y manejo de la herramienta eléctrica

- ▶ **No sobrecargue la herramienta. Utilice la herramienta eléctrica adecuada para el trabajo que se dispone a realizar.** Con la herramienta eléctrica apropiada podrá trabajar mejor y de modo más seguro dentro del margen de potencia indicado.
- ▶ **No utilice herramientas eléctricas con el interruptor defectuoso.** Las herramientas eléctricas que no se puedan conectar o desconectar son peligrosas y deben repararse.
- ▶ **Extraiga el enchufe de la toma de corriente o retire la batería extraíble antes de efectuar cualquier ajuste en la herramienta, cambiar accesorios o en caso de no utilizar la herramienta durante un tiempo prolongado.** Esta medida preventiva evita el riesgo de arranque accidental de la herramienta eléctrica.
- ▶ **Guarde las herramientas eléctricas que no utilice fuera del alcance de los niños. No permita utilizar la herramienta a ninguna persona que no esté familiarizada con ella o que no haya leído este manual de instrucciones.** Las herramientas eléctricas utilizadas por personas inexpertas son peligrosas.
- ▶ **Cuide su herramienta eléctrica y los accesorios adecuadamente. Compruebe si las piezas móviles de la herramienta funcionan correctamente y sin atascarse, y si existen piezas rotas o deterioradas que pudieran afectar al funcionamiento de la herramienta eléctrica. Encargue la reparación de las piezas defectuosas antes de usar la herramienta eléctrica.** Muchos accidentes son consecuencia de un mantenimiento inadecuado de la herramienta eléctrica.
- ▶ **Mantenga los útiles limpios y afilados.** Las herramientas de corte bien cuidadas y con aristas afiladas se atascan menos y se guían con más facilidad.
- ▶ **Utilice la herramienta eléctrica, los accesorios, útiles de inserción, etc., de acuerdo con estas instrucciones. Para ello, tenga en cuenta las condiciones de trabajo y la tarea que se va a realizar.** El uso de herramientas eléctricas para trabajos diferentes de aquellos para los que han sido concebidas puede resultar peligroso.
- ▶ **Mantenga las empuñaduras y las superficies de contacto secas, limpias y sin residuos de aceite o grasa.** Las empuñaduras y superficies de contacto resbaladizas impiden manejar y controlar la herramienta eléctrica con seguridad en situaciones imprevistas.

## Uso y manejo de la herramienta de batería

- ▶ **Cargue las baterías únicamente con los cargadores recomendados por el fabricante.** Existe riesgo de incendio al intentar cargar baterías de un tipo diferente al previsto para el cargador.



- ▶ **Utilice únicamente las baterías previstas para la herramienta eléctrica.** El uso de otro tipo de baterías puede provocar daños e incluso incendios.
- ▶ **Si no utiliza la batería, guárdela separada de clips, monedas, llaves, clavos, tornillos y demás objetos metálicos que pudieran puentear sus contactos.** El cortocircuito de los contactos de la batería puede causar quemaduras o incendios.
- ▶ **La utilización inadecuada de la batería puede provocar fugas de líquido. Evite el contacto con este líquido. En caso de contacto accidental, enjuague el área afectada con abundante agua. En caso de contacto con los ojos, acuda además inmediatamente a un médico.** El líquido de la batería puede irritar la piel o producir quemaduras.
- ▶ **No utilice baterías dañadas o modificadas.** Una batería dañada o modificada puede tener un comportamiento imprevisible y provocar incendios, explosiones o riesgo de lesiones.
- ▶ **No exponga la batería al fuego o a temperaturas muy elevadas.** El fuego o las temperaturas superiores a 130 °C (265 °F) pueden provocar una explosión.
- ▶ **Siga todas las instrucciones relativas a la carga y no cargue nunca la batería o la herramienta de batería excediendo el rango de temperatura indicado en el manual de instrucciones.** Una carga incorrecta o fuera del rango de temperatura permitido puede destruir la batería y aumentar el riesgo de incendio.

### Servicio Técnico

- ▶ **Solicite que un profesional lleve a cabo la reparación de su herramienta eléctrica y que utilice exclusivamente piezas de repuesto originales.** Solamente así se garantiza la seguridad de la herramienta.
- ▶ **No realice nunca el mantenimiento de baterías dañadas.** Cualquier mantenimiento de las baterías debe llevarlo a cabo el fabricante o un centro del Servicio de Atención al Cliente autorizado.

## 2.1.2 Indicaciones de seguridad adicionales

### Seguridad de las personas

- ▶ Utilice el producto solo si está en perfecto estado técnico.
- ▶ No efectúe nunca manipulaciones o modificaciones en la herramienta.
- ▶ Evite tocar las piezas en movimiento, ya que existe riesgo de lesiones.
- ▶ Sujete siempre la herramienta con ambas manos por las empuñaduras previstas. Mantenga las empuñaduras secas y limpias.
- ▶ Espere hasta que el producto se haya detenido por completo antes de dejarlo sobre alguna superficie.
- ▶ Para cambiar el útil, utilice también guantes de protección. El contacto con el útil de inserción puede producir cortes y quemaduras.
- ▶ Procure una buena ventilación en el lugar de trabajo y utilice en caso necesario una mascarilla adecuada para cada clase de polvo. El contacto con el polvo o su inhalación puede provocar reacciones alérgicas o asfixia al usuario o a personas que se encuentren en su entorno.
- ▶ Antes de iniciar el trabajo, consulte la clase de peligros derivados del polvo resultante del trabajo. El polvo procedente de materiales como pinturas con plomo, determinadas maderas, hormigón/mampostería/rocas con cuarzo, así como minerales y metal puede ser nocivo para la salud. Existen determinadas clases de polvo, como pueden ser el de roble o el de haya, catalogadas como cancerígenas, especialmente si se encuentra mezclado con aditivos usados en el tratamiento de la madera (cromato, agente protector para la madera).
- ▶ Efectúe pausas durante el trabajo, así como ejercicios para mejorar la circulación de los dedos. Tras muchas horas de trabajo con exposición a las vibraciones, pueden surgir complicaciones en los vasos sanguíneos o en el sistema nervioso en dedos, manos o articulaciones de las manos.

### Manipulación y utilización segura de las herramientas eléctricas

- ▶ No coloque el producto sobre la batería.

## 2.1.3 Manipulación y utilización segura de las baterías

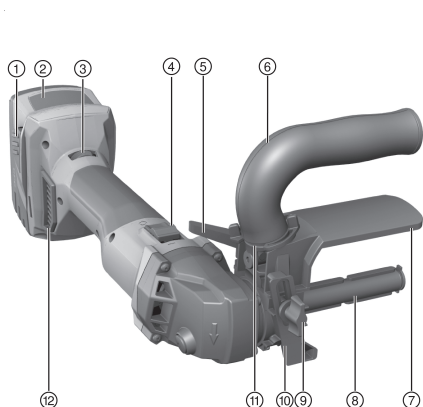
- ▶ Tenga en cuenta las directivas especiales en materia de transporte, almacenamiento y manejo de las baterías de Ion-Litio.
- ▶ Mantenga las baterías alejadas de altas temperaturas, radiación solar directa y fuego.
- ▶ Las baterías no se deben destruir, comprimir, calentar por encima de 80 °C o quemar.
- ▶ No utilice ni cargue baterías que hayan recibido algún golpe, que hayan caído desde una altura superior a un metro o que estén dañadas de alguna otra forma. En este caso, póngase siempre en contacto con el **Hilti Servicio Técnico**.



- ▶ Si al tocar la batería detecta que está muy caliente, puede deberse a una avería en la misma. Coloque el producto en un lugar visible, no inflamable y alejado de materiales inflamables, y deje que se enfríe. En este caso, póngase siempre en contacto con el **Hilti Servicio Técnico**.

### 3 Descripción

#### 3.1 Vista general del producto



- ① Tecla de desbloqueo de la batería
- ② Batería
- ③ Rueda de ajuste para velocidad
- ④ Interruptor de conexión y desconexión con bloqueo
- ⑤ Palanca de tensado para ajustar la empuñadura y la caperuzza protectora
- ⑥ Empuñadura
- ⑦ Cubierta protectora
- ⑧ Portaútiles
- ⑨ Tornillo de fijación para tope paralelo
- ⑩ Tope paralelo
- ⑪ Anillo de cierre para fijación de la cubierta
- ⑫ Filtro de polvo

#### 3.2 Uso conforme a las prescripciones

El producto descrito es una herramienta eléctrica con batería de guiado manual. Está diseñada para realizar trabajos sobre superficies, por ejemplo, satinado, estructurado, pulido, cepillado, alisado, eliminación del óxido o desbarbado de materiales como acero, acero inoxidable o metales no ferrosos.

- ▶ Para este producto utilice únicamente las baterías de Ion-Litio de **Hilti** de la serie B 22.
- ▶ Para estas baterías utilice exclusivamente los cargadores de **Hilti** de la serie C4/36.

#### 3.3 Posibles usos indebidos

Prohibido emplear el producto para operaciones de rectificado en húmedo.

Prohibido utilizar el producto para mecanizar materiales peligrosos para la salud o fácilmente inflamables (p. ej., amianto, magnesio o madera).

#### 3.4 Suministro

Máquina de satinado, rodillo neumático de goma, bomba de aire, manual de instrucciones.

Encontrará otros productos del sistema autorizados para su producto en su **Hilti Store** o en Internet, en: [www.hilti.group](http://www.hilti.group)

#### 3.5 Protección de la herramienta en función de la temperatura

La protección del motor que depende de la temperatura controla el consumo de corriente y el calentamiento del motor, y protege así la herramienta de un sobrecalentamiento.

En caso de sobrecarga del motor a causa de una presión de apriete elevada, la potencia de la herramienta disminuye notablemente o puede provocar la parada de la herramienta.

En caso de que se produzca una parada o una reducción de la velocidad debido a una sobrecarga, deberá dejar libre de carga la herramienta y mantenerla durante aprox. 30 s en velocidad de giro en vacío.

#### 3.6 Indicador del estado de carga de la batería de Ion-Litio

El estado de carga de la batería de Ion-Litio se visualiza pulsando una de las dos teclas de desbloqueo de la batería.





Estado	Significado
4 LED encendidos.	Estado de carga: 75 % a 100 %
3 LED encendidos.	Estado de carga: 50 % a 75 %
2 LED encendidos.	Estado de carga: 25 % a 50 %
1 LED encendido.	Estado de carga: 10 % a 25 %
1 LED parpadea.	Estado de carga: < 10 %

**i** El estado de carga no puede consultarse mientras la herramienta esté en uso ni inmediatamente después de usarla. Si los LED indicadores del estado de carga de la batería parpadean, observe las indicaciones del capítulo «Ayuda en caso de averías».

## 4 Datos técnicos

<b>Peso (incluida batería) B228.0</b>	3,5 kg (7,7 lb)
<b>Tensión nominal</b>	21,6 V
<b>Rango de velocidad</b>	1.220 rpm ... 2.750 rpm
<b>Diámetro máximo de la herramienta</b>	4 in
<b>Ancho máximo de la herramienta</b>	100 mm (3,9 in)
<b>Portátiles</b>	19 mm (0,7 in)
<b>Temperatura ambiente en funcionamiento</b>	-17 °C ... 60 °C (1 °F ... 140 °F)
<b>Temperatura de almacenamiento</b>	-20 °C ... 70 °C (-4 °F ... 158 °F)

### 4.1 Batería

<b>Tensión de servicio de la batería</b>	21,6 V
<b>Temperatura ambiente en funcionamiento</b>	-17 °C ... 60 °C (1 °F ... 140 °F)
<b>Temperatura de almacenamiento</b>	-20 °C ... 40 °C (-4 °F ... 104 °F)
<b>Temperatura de la batería al comenzar la carga</b>	-10 °C ... 45 °C (14 °F ... 113 °F)

## 5 Preparación del trabajo

### PRECAUCIÓN

**Riesgo de lesiones por arranque involuntario.**

- ▶ Antes de insertar la batería, asegúrese de que el producto correspondiente esté desconectado.
- ▶ Retire la batería antes de realizar ajustes en la herramienta o de cambiar accesorios.

Respete las indicaciones de seguridad y las advertencias presentes en esta documentación y en el producto.

### 5.1 Carga de la batería

1. Antes de cargarla, lea el manual de instrucciones del cargador.
2. Asegúrese de que los contactos de la batería y del cargador estén limpios y secos.
3. Cargue la batería en un cargador autorizado.



## 5.2 Colocación de la batería

### PRECAUCIÓN

#### Riesgo de lesiones por cortocircuito o caída de la batería.

- ▶ Antes de insertar la batería, asegúrese de que los contactos de la batería y del producto estén libres de cuerpos extraños.
- ▶ Asegúrese de que la batería encaje siempre correctamente.

1. Cargue por completo la batería antes de la primera puesta en servicio.
2. Coloque la batería en el soporte de la herramienta hasta que encaje de forma audible.
3. Compruebe que la batería está bien colocada.

## 5.3 Extracción de la batería

1. Pulse las teclas de desbloqueo de la batería.
2. Extraiga la batería de la herramienta.

## 5.4 Montaje de la herramienta

1. Pulse y mantenga pulsado el botón de bloqueo del husillo.
2. Inserte la herramienta con la tuerca correcta en el portaútiles.
3. Presione la herramienta, en contra de la presión del muelle, sobre el portaútiles y gírela en sentido horario.
  - ↳ El portaútiles está bloqueado.



En el caso de útiles de inserción delgados de menos de 100 mm de ancho, la diferencia de anchura debe equipararse con el anillo distanciador.

4. Suelte el botón de bloqueo del husillo.
5. Coloque la batería. → página 28
6. Efectúe una prueba de funcionamiento. Deje que la máquina de satinado funcione durante 30 segundos sin carga y vigile si hay vibraciones o desequilibrio.
  - ↳ Si hay vibraciones o desequilibrio, desmonte la herramienta y vuelva a montarla. Asegúrese de que está colocada correctamente. No utilice herramientas dañadas ni anillos distanciadores.

## 5.5 Rodillo neumático de goma

1. En caso necesario, use la válvula para purgar el aire del rodillo neumático de goma. Utilice para ello la parte posterior de la tapa de la válvula.
2. En caso necesario, extraiga la banda abrasiva del rodillo neumático de goma.
3. Introduzca una nueva banda abrasiva en el rodillo neumático de goma. Asegúrese de que la banda abrasiva no sobresalga por ningún lado.
4. Bombee el rodillo neumático de goma con la bomba de aire suministrada para tensar la banda abrasiva. A continuación, vuelva a atornillar la tapa de la válvula.

## 5.6 Ajuste de la caperuza protectora y la empuñadura



Coloque la caperuza protectora siempre de forma que el material abrasivo de desgaste se aleje de usted.

1. Abra la palanca de tensado para ajustar la empuñadura y la caperuza protectora.
2. Gire la empuñadura y la caperuza protectora en la posición deseada.
3. Cierre la palanca de tensado.

## 6 Procedimiento de trabajo

### 6.1 Conexión

1. Presione la parte posterior del interruptor de conexión y desconexión.
2. Empuje el interruptor de conexión y desconexión hacia delante.
  - ↳ El motor funciona.



3. Bloquee el interruptor de conexión y desconexión.

## 6.2 Ajuste de la velocidad

- Use la rueda de ajuste para ajustar la velocidad.

### 6.2.1 Niveles de velocidad

Posición 1	1.220 rpm
Posición 2	1.360 rpm
Posición 3	1.560 rpm
Posición 4	1.840 rpm
Posición 5	2.240 rpm
Posición 6	2.750 rpm

## 6.3 Lijado

### PRECAUCIÓN

**Riesgo de lesiones.** La pieza de trabajo se calienta durante el trabajo.

- No sujete la pieza de trabajo directamente justo después de haber trabajado con ella, utilice guantes de protección para evitar quemaduras. Mantenga a terceras personas alejadas del área de trabajo.

1. Levante la máquina de satinado de la superficie de trabajo.
2. Conecte el producto. → página 28
  - ↳ Ahora el producto se encuentra en modo de marcha continua.
3. Ajuste la velocidad. → página 29
4. Coloque la máquina de satinado con la herramienta sobre la pieza de trabajo y muévela hacia delante y hacia atrás.
5. Trabaje con una presión moderada y no presione la banda abrasiva contra el material.
6. Para un acabado decorativo de la superficie, mueva la máquina de satinado hacia delante y hacia atrás solo en línea recta. Evite moverla en sentido transversal a la herramienta.

## 6.4 Uso del tope paralelo

El tope paralelo garantiza una estabilidad direccional al trabajar con perfiles.

1. Afloje el tornillo de fijación del tope paralelo.
2. Coloque el tope paralelo.
3. Vuelva a apretar el tornillo de fijación.

## 6.5 Desconexión

- Presione la parte posterior del interruptor de conexión y desconexión.
  - ↳ El interruptor de conexión y desconexión pasa a la posición de desconexión y el motor se detiene.

## 7 Accesorios opcionales

### 7.1 Montaje de la campana extractora

1. Desmonte el tornillo de fijación de la caperuza protectora.
2. Gire el anillo de cierre para la fijación de la caperuza para abrirlo.
3. Tire de la caperuza protectora en la dirección de la empuñadura hacia arriba desde la cabeza del engranaje.
4. Introduzca la caperuza de aspiración en el alojamiento desde arriba.
5. Cierre el anillo de cierre para fijar la caperuza.
6. Vuelva a montar el tornillo de fijación.



## 8 Cuidado y mantenimiento

### ADVERTENCIA

#### Riesgo de lesiones con la batería colocada !

- ▶ Extraiga siempre la batería antes de llevar a cabo tareas de cuidado y mantenimiento.

#### Mantenimiento de la herramienta

- Retire con cuidado la suciedad fuertemente adherida.
- Retire el filtro de polvo y límpielo cuidadosamente junto con las rejillas de ventilación con un cepillo seco.
- Limpie la carcasa utilizando únicamente un paño ligeramente humedecido. No utilice limpiadores que contengan silicona, ya que esta podría afectar a las piezas de plástico.

#### Cuidado de las baterías de Ion-Litio

- Mantenga la batería limpia y sin residuos de aceite o grasa.
- Limpie la carcasa utilizando únicamente un paño ligeramente humedecido. No utilice limpiadores que contengan silicona, ya que podría afectar a las piezas de plástico.
- Evite la penetración de humedad.

#### Mantenimiento

- Compruebe con regularidad si las piezas visibles están dañadas o si los elementos de manejo funcionan correctamente.
- No utilice el producto si presenta daños o fallos que afecten al funcionamiento. Llévela de inmediato al Servicio Técnico de **Hilti** para que la reparen.
- Coloque todos los dispositivos de protección después de las tareas de cuidado y mantenimiento y compruebe su correcto funcionamiento.



Para garantizar un correcto funcionamiento, utilice exclusivamente piezas de repuesto y material de consumo originales. Puede encontrar piezas de repuesto, consumibles y accesorios para su producto que nosotros mismos comercializamos en **Hilti Store** o en: [www.hilti.group](http://www.hilti.group).

### 8.1 Cambio del tope paralelo



En caso de desgaste, se puede cambiar el tope paralelo.

1. Desmonte el tornillo de fijación del tope paralelo.
2. Extraiga el tope paralelo desgastado y coloque el tope paralelo nuevo.
3. Vuelva a montar el tornillo de fijación con una arandela y una junta tórica.

## 9 Transporte y almacenamiento de las herramientas alimentadas por batería

### Transporte

#### PRECAUCIÓN

#### Arranque involuntario en el transporte !

- ▶ Transporte sus productos siempre sin batería.
- ▶ Retire las baterías.
- ▶ No transporte nunca las baterías sin embalaje.
- ▶ Compruebe si la herramienta o las baterías presentan daños tras haber sido transportadas durante mucho tiempo.

### Almacenamiento

#### PRECAUCIÓN

#### Daños imprevistos debido a una batería defectuosa o agotada !

- ▶ Guarde su productos siempre sin batería.
- ▶ Guarde la herramienta y las baterías en un lugar lo más seco y fresco posible.
- ▶ No guarde nunca las baterías en un lugar expuesto al sol, sobre un radiador o detrás de una luna de cristal.
- ▶ Guarde la herramienta y las baterías fuera del alcance de niños y personas no autorizadas.



- ▶ Compruebe si la herramienta o las baterías presentan daños tras haber sido almacenadas durante mucho tiempo.

## 10 Ayuda en caso de averías

Si se producen averías que no estén incluidas en esta tabla o que no pueda solucionar usted, diríjase al Servicio Técnico de **Hilti**.

### 10.1 Localización de averías

Anomalía	Posible causa	Solución
La batería se descarga con más rapidez de lo usual.	Temperatura ambiente demasiado baja.	▶ Deje que la batería alcance poco a poco la temperatura ambiente.
La batería no se enclava con un «clic» audible.	Suciedad en las lengüetas de la batería.	▶ Limpie las lengüetas y vuelva a colocar la batería.
1 LED parpadea. La herramienta no funciona.	La batería está descargada.	▶ Cambie la batería y recargue la batería vacía.
	La batería está demasiado fría o demasiado caliente.	▶ Deje que la batería se caliente o se enfríe poco a poco hasta alcanzar la temperatura ambiente.
Los 4 LED parpadean. La herramienta no funciona.	La herramienta está sobrecargada.	▶ Desconecte la herramienta y vuélvala a conectar. A continuación, mantenga la herramienta durante aprox. 30 s en marcha en vacío.
Calentamiento considerable de la herramienta o la batería.	Error en el sistema eléctrico.	▶ Desconecte la herramienta de inmediato, extraiga la batería, compruébela, deje que se enfríe y póngase en contacto con el Servicio Técnico de <b>Hilti</b> .
La herramienta no alcanza su máxima potencia.	Se ha empleado una batería con muy poca capacidad.	▶ Utilice una batería con suficiente capacidad.
Sin función de frenado del motor.	La batería está descargada.	▶ Cambie la batería y recargue la batería vacía.
	La herramienta se ha sobrecargado brevemente.	▶ Suelte el conmutador de control y vuélvalo a accionar.

## 11 Reciclaje

Las herramientas **Hilti** están fabricadas en su mayor parte con materiales reutilizables. La condición para dicha reutilización es una separación adecuada de los materiales. En muchos países, **Hilti** recoge las herramientas usadas para su recuperación. Pregunte en el Servicio de Atención al Cliente de **Hilti** o a su asesor de ventas.

### Eliminación de las baterías

Los gases y líquidos originados por una eliminación indebida de las baterías pueden ser perjudiciales para la salud.

- ▶ No envíe baterías dañadas bajo ningún concepto.
- ▶ Cubra las conexiones con un material no conductor para evitar cortocircuitos.
- ▶ Deshágase de las baterías de tal forma que no terminen en manos de niños.
- ▶ Elimine la batería en su **Hilti Store** o diríjase a su empresa de desechos.



- ▶ No deseche las herramientas eléctricas, los aparatos eléctricos ni las baterías junto con los residuos domésticos.



## 12 Garantia del fabricante

- ▶ Si tiene alguna consulta acerca de las condiciones de la garantía, póngase en contacto con su sucursal local de Hilti.

# Manual de instruções original

## 1 Indicações sobre a documentação

### 1.1 Sobre esta documentação

- Antes da colocação em funcionamento, leia esta documentação. Esta é a condição para um trabalho seguro e um manuseamento sem problemas.
- Tenha em atenção as instruções de segurança e as advertências nesta documentação e no produto.
- Guarde o manual de instruções sempre junto do produto e entregue-o a outras pessoas apenas juntamente com este manual.

### 1.2 Explicação dos símbolos

#### 1.2.1 Advertências

As advertências alertam para perigos durante a utilização do produto. São utilizadas as seguintes palavras de aviso:

**PERIGO****PERIGO !**

- ▶ Indica perigo iminente que pode originar acidentes pessoais graves ou até mesmo fatais.

**AVISO****AVISO !**

- ▶ Indica um possível perigo que pode causar graves ferimentos pessoais, até mesmo fatais.

**CUIDADO****CUIDADO !**

- ▶ Indica uma situação potencialmente perigosa que pode originar ferimentos ligeiros ou danos materiais.

#### 1.2.2 Símbolos na documentação

Nesta documentação são utilizados os seguintes símbolos:

	Leia o manual de instruções antes da utilização
	Instruções de utilização e outras informações úteis
	Manuseamento com materiais recicláveis
	Não deitar as ferramentas eléctricas e baterias no lixo doméstico

#### 1.2.3 Símbolos nas figuras

Em figuras são utilizados os seguintes símbolos:

<b>2</b>	Estes números referem-se à respectiva imagem no início deste Manual
3	A numeração reproduz uma sequência dos passos de trabalho na imagem e pode divergir dos passos de trabalho no texto
<b>11</b>	Na figura <b>Vista geral</b> são utilizados números de posição que fazem referência aos números da legenda na secção <b>Vista geral do produto</b>



	Este símbolo pretende despertar a sua atenção durante o manuseamento do produto.
--	--

### 1.3 Símbolos dependentes do produto

#### 1.3.1 Símbolos no produto

No produto, podem usar-se os seguintes símbolos:

	A ferramenta suporta a tecnologia NFC que é compatível com plataformas iOS e Android.
Li-Ion	Bateria de íões de lítio
	Série utilizada da bateria de íões de lítio <b>HilTi</b> . Tenha em atenção as indicações no capítulo <b>Utilização conforme a finalidade projectada</b> .
	Nunca utilize a bateria como ferramenta de percussão.
	Não deixe cair a bateria. Não utilize baterias que tenham recebido uma pancada ou que estejam, de outra forma, danificadas.
	Use óculos de protecção
n	Velocidade nominal
/min	Rotações por minuto
RPM	Rotações por minuto
	Diâmetro

### 1.4 Dados informativos sobre o produto

Os produtos destinam-se ao utilizador profissional e só podem ser operados, mantidos e reparados por pessoal autorizado, devidamente qualificado. Estas pessoas deverão estar informadas em particular sobre os potenciais perigos. O produto e seu equipamento auxiliar podem representar perigo se usados incorrectamente por pessoas não qualificadas ou se usados para fins diferentes daqueles para os quais foram concebidos.

A designação e o número de série são indicados na placa de características.

- ▶ Registe o número de série na tabela seguinte. Precisa dos dados do produto para colocar questões ao nosso representante ou posto de serviço de atendimento aos clientes.

#### Dados do produto

Máquina de acetinar a bateria	GPB 6X-A22
Geração	01
N.º de série	

### 1.5 Declaração de conformidade

Declaramos sob nossa exclusiva responsabilidade que o produto aqui descrito está em conformidade com as directivas e normas em vigor. Na parte final desta documentação encontra uma reprodução do organismo de certificação.

As documentações técnicas estão aqui guardadas:

Hilti Entwicklungsgesellschaft mbH | Zulassung Geräte | Hiltistraße 6 | 86916 Kaufering, DE



## 2 Segurança

### 2.1 Normas de segurança

#### 2.1.1 Normas de segurança gerais para ferramentas eléctricas

**⚠ AVISO** Leia todas as normas de segurança, instruções, imagens e dados técnicos, com os quais esta ferramenta eléctrica está equipada. O não cumprimento das instruções a seguir pode resultar em choque eléctrico, incêndio e/ou ferimentos graves.

**Guarde bem todas as normas de segurança e instruções para futura referência.**

O termo "ferramenta eléctrica" utilizado nas normas de segurança refere-se a ferramentas com ligação à corrente eléctrica (com cabo de alimentação) ou a ferramentas a bateria (sem cabo).

#### Segurança no posto de trabalho

- ▶ **Mantenha a sua área de trabalho limpa e bem iluminada.** Locais desarrumados ou mal iluminados podem ocasionar acidentes.
- ▶ **Não utilize a ferramenta eléctrica em ambientes explosivos ou na proximidade de líquidos ou gases inflamáveis.** Ferramentas eléctricas produzem faíscas que podem provocar a ignição de pó e vapores.
- ▶ **Mantenha crianças e terceiros afastados durante os trabalhos.** Distacções podem conduzir à perda de controlo sobre a ferramenta.

#### Segurança eléctrica

- ▶ **A ficha da ferramenta eléctrica deve servir na tomada. A ficha não deve ser modificada de modo algum. Não utilize quaisquer adaptadores com ferramentas eléctricas com ligação terra.** Fichas originais (não modificadas) e tomadas adequadas reduzem o risco de choque eléctrico.
- ▶ **Evite o contacto do corpo com superfícies ligadas à terra, como, por exemplo, canos, radiadores, fogões e frigoríficos.** Existe um risco elevado de choque eléctrico se o corpo estiver com ligação à terra.
- ▶ **As ferramentas eléctricas não devem ser expostas à chuva nem à humidade.** A infiltração de água numa ferramenta eléctrica aumenta o risco de choque eléctrico.
- ▶ **Não use o cabo de ligação para transportar, pendurar ou desligar a ferramenta eléctrica da tomada. Mantenha o cabo de ligação afastado de calor, óleo, arestas vivas ou partes em movimento.** Cabos de ligação danificados ou emaranhados aumentam o risco de choque eléctrico.
- ▶ **Quando operar uma ferramenta eléctrica ao ar livre, utilize apenas cabos de extensão próprios para utilização no exterior.** A utilização de um cabo de extensão próprio para utilização no exterior reduz o risco de choques eléctricos.
- ▶ **Utilize um disjuntor diferencial se não puder ser evitada a utilização da ferramenta eléctrica em ambiente húmido.** A utilização de um disjuntor diferencial reduz o risco de choque eléctrico.

#### Segurança física

- ▶ **Esteja alerta, observe o que está a fazer, e tenha prudência ao trabalhar com uma ferramenta eléctrica. Se estiver cansado ou sob influência de drogas, álcool ou medicamentos não efectue nenhum trabalho com ferramentas eléctricas.** Um momento de distracção ao operar a ferramenta eléctrica pode causar ferimentos graves.
- ▶ **Use equipamento de segurança. Use sempre óculos de protecção.** Equipamento de segurança, como, por exemplo, máscara antipoeiras, sapatos de segurança antiderrapantes, capacete de segurança ou protecção auricular, de acordo com o tipo e aplicação da ferramenta eléctrica, reduzem o risco de lesões.
- ▶ **Evite um arranque involuntário. Assegure-se de que a ferramenta eléctrica está desligada antes de a ligar à fonte de alimentação e/ou à bateria, pegar nela ou a transportar.** Transportar a ferramenta eléctrica com o dedo no interruptor ou ligar uma ferramenta à tomada com o interruptor ligado (ON) pode resultar em acidentes.
- ▶ **Remova quaisquer chaves de ajuste (chaves de fenda), antes de ligar a ferramenta eléctrica.** Um acessório ou chave deixado preso numa parte rotativa da ferramenta pode causar ferimentos.
- ▶ **Evite posturas corporais desfavoráveis. Mantenha sempre uma posição correcta, em perfeito equilíbrio.** Desta forma será mais fácil manter o controlo sobre a ferramenta eléctrica em situações inesperadas.
- ▶ **Use roupa apropriada. Não use roupa larga ou jóias. Mantenha o cabelo, vestuário e luvas afastados das peças móveis.** Roupas largas, jóias ou cabelos compridos podem ficar presos nas peças móveis.
- ▶ **Se poderem ser montados sistemas de remoção e de recolha de pó, assegure-se de que estes estão ligados e são utilizados correctamente.** A utilização de um sistema de remoção de pó pode reduzir os perigos relacionados com a exposição ao mesmo.





- ▶ **Não se acomode numa falsa sensação de segurança e não ignore os regulamentos de segurança para ferramentas eléctricas, mesmo se estiver familiarizado com a ferramenta eléctrica após numerosas utilizações.** Agir de forma descuidada pode causar ferimentos graves dentro duma fracção de segundo.

#### Utilização e manuseamento da ferramenta eléctrica

- ▶ **Não sobrecarregue a ferramenta. Use para o seu trabalho a ferramenta eléctrica correcta.** Com a ferramenta eléctrica adequada obterá maior eficiência e segurança se respeitar os seus limites.
- ▶ **Não utilize a ferramenta eléctrica se o interruptor estiver defeituoso.** Uma ferramenta eléctrica que já não possa ser accionada pelo interruptor é perigosa e deve ser reparada.
- ▶ **Retire a ficha da tomada e/ou remova uma bateria amovível antes de efectuar ajustes na ferramenta, substituir acessórios ou guardar a ferramenta.** Esta medida preventiva evita o accionamento accidental da ferramenta eléctrica.
- ▶ **Guarde ferramentas eléctricas não utilizadas fora do alcance das crianças. Não permita que a ferramenta seja utilizada por pessoas não familiarizadas com a mesma ou que não tenham lido estas instruções.** Ferramentas eléctricas operadas por pessoas não treinadas são perigosas.
- ▶ **Faça uma manutenção regular de ferramentas eléctricas e acessórios. Verifique se as partes móveis funcionam perfeitamente e não emperram ou se há peças quebradas ou danificadas que possam influenciar o funcionamento da ferramenta eléctrica. Peças danificadas devem ser reparadas antes da utilização da ferramenta.** Muitos acidentes são causados por ferramentas eléctricas com manutenção deficiente.
- ▶ **Mantenha as ferramentas de corte sempre afiadas e limpas.** Acessórios com gumes afiados tratados correctamente emperram menos e são mais fáceis de controlar.
- ▶ **Utilize a ferramenta eléctrica, acessórios, bits, etc., de acordo com estas instruções. Tome também em consideração as condições de trabalho e o trabalho a ser efectuado.** A utilização da ferramenta eléctrica para outros fins além dos previstos, pode ocasionar situações de perigo.
- ▶ **Mantenha punhos e respectivas superfícies secos, limpos e isentos de óleo e gordura.** Punhos e superfícies afins escorregadios não permitem um manuseamento e controlo seguro da ferramenta eléctrica em situações imprevistas.

#### Utilização e manuseamento da ferramenta a bateria

- ▶ **Apenas deverá carregar as baterias em carregadores recomendados pelo fabricante.** Num carregador adequado para um determinado tipo de baterias existe perigo de incêndio se for utilizado para outras baterias.
- ▶ **Nas ferramentas eléctricas utilize apenas as baterias previstas.** A utilização de outras baterias pode causar ferimentos e riscos de incêndio.
- ▶ **Quando a bateria não estiver em uso, mantenha-a afastada de outros objectos de metal, como, por exemplo, cliques, moedas, chaves, pregos, parafusos, ou outros pequenos objectos metálicos que possam ligar em ponte os contactos.** Um curto-circuito entre os contactos da bateria pode causar queimaduras ou incêndio.
- ▶ **Utilizações inadequadas podem provocar derrame do líquido da bateria. Evite o contacto com este líquido. No caso de contacto accidental, enxágue imediatamente com água. Se o líquido entrar em contacto com os olhos, procure auxílio médico.** O líquido que escorre da bateria pode provocar irritações ou queimaduras da pele.
- ▶ **Não utilize uma bateria danificada ou modificada.** Baterias danificadas ou modificadas podem ter um comportamento imprevisível e causar fogo, explosão ou risco de ferimentos.
- ▶ **Não exponha uma bateria ao fogo ou a temperaturas excessivas.** Fogo e temperaturas superiores a 130 °C (265 °F) podem provocar uma explosão.
- ▶ **Cumpra todas as instruções sobre o carregamento e nunca carregue a bateria ou a ferramenta a bateria fora da faixa de temperaturas indicada no manual de instruções.** O carregamento errado ou fora da faixa de temperaturas permitida pode destruir a bateria e aumentar o risco de incêndio.

#### Manutenção

- ▶ **A sua ferramenta eléctrica só deve ser reparada por pessoal qualificado e só devem ser utilizadas peças sobressalentes originais.** Isto assegurará que a segurança da ferramenta se mantenha.
- ▶ **Nunca faça a manutenção de baterias danificadas.** Qualquer manutenção de baterias só deverá ser realizada pelo fabricante ou serviços de assistência técnica autorizados.

### 2.1.2 Normas de segurança adicionais

#### Segurança física

- ▶ Utilize o produto somente se estiver em perfeitas condições técnicas.
- ▶ Nunca efectue quaisquer manipulações ou modificações na ferramenta.



- ▶ Evite o contacto com peças rotativas - Perigo de ferimentos!
- ▶ Segure a ferramenta sempre com as duas mãos nos punhos previstos para o efeito. Mantenha os punhos secos e limpos.
- ▶ Aguarde até que o produto esteja parado, antes de o pousar.
- ▶ Também deve usar luvas de protecção durante a substituição de acessórios. Tocar no acessório pode causar ferimentos por corte e queimaduras.
- ▶ Garanta uma boa ventilação do local de trabalho e, se necessário, use uma máscara de protecção respiratória, adequada para o respectivo pó. O contacto ou inalação do pó podem provocar reacções alérgicas e/ou doenças das vias respiratórias no utilizador ou em pessoas que se encontrem nas proximidades.
- ▶ Antes de iniciar os trabalhos, apure a classe de perigo do pó gerado. Pós de materiais, como tinta com chumbo, algumas madeiras, betão/alvenaria/rochas quartzíferas, minerais e metal podem ser nocivos. Determinados pós, como os de carvalho ou de faia, são considerados cancerígenos, especialmente em combinação com aditivos para o tratamento de madeiras (cromato, produtos para a preservação de madeiras).
- ▶ Faça pausas e exercícios para melhorar a circulação sanguínea nas mãos. Os trabalhos mais longos, devido às vibrações, podem causar distúrbios nos vasos sanguíneos ou no sistema nervoso dos dedos, mãos ou pulsos.

### Utilização e manutenção de ferramentas eléctricas

- ▶ Não coloque o produto sobre a bateria.

#### 2.1.3 Utilização e manutenção de baterias

- ▶ Observe as regras específicas sobre transporte, armazenagem e utilização de baterias de iões de lítio.
- ▶ Mantenha as baterias afastadas de temperaturas elevadas, radiação solar directa e fogo.
- ▶ As baterias não podem ser desmanteladas, esmagadas, aquecidas acima dos 80 °C ou incineradas.
- ▶ Não utilize ou carregue quaisquer baterias que tenham sofrido golpes, tenham caído de altura superior a um metro ou tenham sido danificadas de outra forma. Neste caso, contacte sempre o seu **Centro de Assistência Técnica Hilti**.
- ▶ Se a bateria estiver demasiado quente ao toque, poderá estar com defeito. Coloque o produto num local que não constitua risco de incêndio, suficientemente afastado de materiais combustíveis, onde possa ser vigiado e deixe-o arrefecer. Neste caso, contacte sempre o seu **Centro de Assistência Técnica Hilti**.

## 3 Descrição

### 3.1 Vista geral do produto



### 3.2 Utilização conforme a finalidade projectada

O produto descrito é uma máquina de acetinar a bateria de utilização manual. Foi concebida para o acabamento de superfície como, por ex., acetinar, estruturar, polir, escovar, alisar, desenferujar ou rebarbar aço, aço inoxidável ou metais não-ferrosos.

- ▶ Para este produto, utilize apenas as baterias de iões de lítio **Hilti** da série B 22.
- ▶ Para estas baterias, utilize apenas os carregadores **Hilti** da série C4/36.

### 3.3 Possível uso incorrecto

O produto não pode ser utilizado para a lixagem a húmido.

O produto não pode ser utilizado para trabalhar materiais nocivos para a saúde ou facilmente inflamáveis (p. ex., amianto, magnésio, madeira).

### 3.4 Incluído no fornecimento

Máquina de acetinar, rolo de borracha pneumático, bomba de ar, manual de instruções.

Poderá encontrar outros produtos de sistema aprovados para o seu produto no seu **Hilti Store** ou online, em: [www.hilti.group](http://www.hilti.group)

### 3.5 Protecção da ferramenta dependente da temperatura

O sistema de protecção do motor evita que a ferramenta entre em sobreaquecimento, monitorizando a potência de entrada e a temperatura do motor.

Em caso de sobrecarga do motor devido a excessiva pressão de contacto, a potência da ferramenta diminuirá consideravelmente, podendo até o motor parar.

Caso se verifique uma paragem ou uma redução das rotações devido a sobrecarga, alivie a pressão exercida e deixe a ferramenta a trabalhar sem carga por aprox. 30 segundos.

### 3.6 Indicador do estado de carga da bateria de iões de lítio

O estado de carga da bateria de iões de lítio é exibido depois de pressionado um dos dois botões de destravamento da bateria.

Estado	Significado
4 LED acendem.	Estado de carga: 75% a 100%
3 LED acendem.	Estado de carga: 50% a 75%
2 LED acendem.	Estado de carga: 25% a 50%
1 LED acende.	Estado de carga: 10% a 25%
Pisca 1 LED.	Estado de carga: < 10%



Não é possível a consulta do estado de carga durante e imediatamente a seguir aos trabalhos. Se os LED do indicador do estado de carga da bateria estiverem a piscar, leia as indicações no capítulo Ajuda em caso de avarias.

## 4 Características técnicas

<b>Peso incluindo bateria B228.0</b>	3,5 kg (7,7 lb)
<b>Tensão nominal</b>	21,6 V
<b>Amplitude de velocidades</b>	1 220 rpm ... 2 750 rpm
<b>diâmetro máximo da ferramenta</b>	4 in
<b>largura máxima da ferramenta</b>	100 mm (3,9 in)
<b>Mandril</b>	19 mm (0,7 in)



Temperatura ambiente durante o funcionamento	-17 °C ... 60 °C (1 °F ... 140 °F)
Temperatura de armazenagem	-20 °C ... 70 °C (-4 °F ... 158 °F)

#### 4.1 Bateria

Tensão de serviço da bateria	21,6 V
Temperatura ambiente durante o funcionamento	-17 °C ... 60 °C (1 °F ... 140 °F)
Temperatura de armazenagem	-20 °C ... 40 °C (-4 °F ... 104 °F)
Temperatura da bateria no início do carregamento	-10 °C ... 45 °C (14 °F ... 113 °F)

## 5 Preparação do local de trabalho

### CUIDADO

#### Risco de ferimentos devido a arranque involuntário!

- ▶ Antes de encaixar a bateria, certifique-se de que o produto correspondente está desligado.
- ▶ Remova a bateria, antes de efectuar ajustes na ferramenta ou substituir acessórios.

Tenha em atenção as instruções de segurança e as advertências nesta documentação e no produto.

#### 5.1 Carregar a bateria

1. Antes de carregar, leia o manual de instruções do carregador.
2. Certifique-se de que os contactos da bateria e do carregador estão limpos e secos.
3. Carregue a bateria num carregador aprovado.

#### 5.2 Colocar a bateria

### CUIDADO

#### Risco de ferimentos devido a curto-circuito ou queda da bateria!

- ▶ Antes de encaixar a bateria, certifique-se de que os contactos da bateria e os contactos no produto estão livres de corpos estranhos.
- ▶ Certifique-se de que a bateria engata sempre corretamente.

1. A bateria deve ser completamente carregada antes da primeira utilização.
2. Insira a bateria no suporte da ferramenta, até engatar de forma audível.
3. Verifique se a bateria está correctamente encaixada.

#### 5.3 Retirar a bateria

1. Pressione os botões de destravamento da bateria.
2. Puxe a bateria para fora da ferramenta.

#### 5.4 Montar o acessório

1. Pressione o botão de bloqueio do veio e mantenha-o pressionado.
2. Empurre o acessório com a ranhura adequada sobre o mandril.
3. Pressione o acessório contra a força de mola firmemente sobre o mandril e rode-o no sentido dos ponteiros do relógio.
  - ↳ O mandril está bloqueado.



No caso de acessórios mais estreitos com largura inferior a 100 mm, a diferença em largura tem de ser compensada com anéis distanciadores.

4. Liberte o botão de bloqueio do veio.



5. Coloque a bateria. → Página 38
6. Efectue um teste. Deixe a máquina de acetinar trabalhar durante 30 segundos sem carga e verifique se ocorrem vibrações e desequilíbrio.
  - ↳ Se existir vibração ou desequilíbrio, desmonte o acessório e volte a montá-lo. Prestar atenção ao posicionamento correcto. Não utilize acessórios ou anéis distanciadores danificados.

### 5.5 Rolo de borracha pneumático

1. Deixe escapar, se necessário, o ar do rolo de borracha pneumático através da válvula. Utilize para o efeito a parte superior da tampa da válvula.
2. Puxe, se necessário, a cinta de lixa do rolo de borracha pneumático.
3. Enfie uma cinta de lixa nova sobre o rolo de borracha pneumático. Certifique-se de que a cinta de lixa não sobressai de nenhum lado.
4. Encha o rolo de borracha pneumático com a bomba de ar fornecida, para esticar a cinta de lixa. Em seguida, volte a enroscar a tampa da válvula.

### 5.6 Ajustar o resguardo e o punho

Ajuste sempre o resguardo de modo que o material de lixagem removido seja desviado para longe de si.

1. Abra a alavanca de aperto para a regulação do punho e do resguardo.
2. Rode o punho e o resguardo conforme desejado.
3. Feche a alavanca de aperto.

## 6 Trabalhar

### 6.1 Ligar

1. Pressione a parte de trás do interruptor on/off.
2. Empurre o interruptor on/off para a frente.
  - ↳ O motor funciona.
3. Bloquee o interruptor on/off.

### 6.2 Ajustar a velocidade de rotação

- ▶ Ajuste a velocidade através do botão regulador.

#### 6.2.1 Níveis de rotação

Posição 1	1 220 rpm
Posição 2	1 360 rpm
Posição 3	1 560 rpm
Posição 4	1 840 rpm
Posição 5	2 240 rpm
Posição 6	2 750 rpm

### 6.3 Lixar

#### CUIDADO

**Risco de ferimentos!** A peça a trabalhar aquece devido ao trabalho de acabamento.

- ▶ Não toque na peça directamente após o acabamento ou use luvas de protecção a fim de evitar queimaduras. Mantenha outras pessoas afastadas do seu local de trabalho.

1. Levante a máquina de acetinar da superfície de trabalho.
2. Ligue o produto. → Página 39
  - ↳ O produto trabalha agora em operação continuada.
3. Ajuste a velocidade. → Página 39



4. Apoie a máquina de acetinar com o acessório sobre a peça a trabalhar e mova-a para a frente e para trás.
5. Trabalhe com pressão moderada e não pressione a cinta de lixa para dentro do material.
6. Para um acabamento decorativo da superfície, mova a máquina de acetinar exclusivamente para a frente e para trás fazendo movimentos lineares. Evite movimentos transversais ao acessório.

#### 6.4 Utilizar o encosto paralelo

O encosto paralelo garante o avanço exacto em linha recta no acabamento de perfis.

1. Desaperte o parafuso de fixação no encosto paralelo.
2. Ajuste o encosto paralelo.
3. Aperte o parafuso de fixação.

#### 6.5 Desligar

- ▶ Pressione a parte de trás do interruptor on/off.
  - ↳ O interruptor on/off salta para a posição off e o motor pára.

### 7 Acessórios opcionais

#### 7.1 Montar o dispositivo de extracção de pó

1. Desmonte o parafuso de fixação do resguardo.
2. Rode o anel de bloqueio para a fixação do resguardo, sem o abrir.
3. Extraia o resguardo da cabeça de engrenagem para cima no sentido do punho.
4. Encaixe o dispositivo de extracção de pó a partir de cima no alojamento.
5. Feche o anel de bloqueio para a fixação do resguardo.
6. Volte a montar o parafuso de fixação.

### 8 Conservação e manutenção



#### AVISO

**Risco de lesão com a bateria encaixada !**

- ▶ Retire sempre a bateria antes de todos os trabalhos de conservação e manutenção!

#### Conservação da ferramenta

- Remover a sujidade persistente com cuidado.
- Retire o filtro de pó e limpe o mesmo e as saídas de ar cuidadosamente com uma escova seca.
- Limpar a carcaça apenas com um pano ligeiramente humedecido. Não utilizar produtos de conservação que contenham silicone, uma vez que estes poderiam danificar os componentes de plástico.

#### Conservação das baterias de iões de lítio

- Manter a bateria limpa e isenta de óleo e gordura.
- Limpar a carcaça apenas com um pano ligeiramente humedecido. Não utilizar produtos de conservação que contenham silicone, uma vez que estes poderiam danificar os componentes de plástico.
- Evitar a entrada de humidade.

#### Manutenção

- Verificar, regularmente, todos os componentes visíveis quanto a danos e os comandos operativos quanto a funcionamento perfeito.
- Em caso de danos e/ou perturbações de funcionamento, não operar o produto. Mandar reparar de imediato pelo Centro de Assistência Técnica **Hilti**.
- Após os trabalhos de conservação e manutenção, aplicar todos os dispositivos de protecção e verificar o respectivo funcionamento.



Para um funcionamento seguro, utilize apenas peças sobresselentes e consumíveis originais. Poderá encontrar peças sobresselentes, consumíveis e acessórios aprovados por nós para o seu produto no seu **Hilti Store** ou em: [www.hilti.group](http://www.hilti.group).



## 8.1 Substituir o encosto paralelo



O encosto paralelo pode ser substituído em caso de desgaste.

1. Desmonte o parafuso de fixação do encosto paralelo.
2. Retire o encosto paralelo gasto e monte o encosto paralelo novo.
3. Volte a montar o parafuso de fixação com anilha e O-ring.

## 9 Transporte e armazenamento de ferramentas de baterias recarregáveis

### Transporte

#### CUIDADO

#### Arranque inadvertido durante o transporte !

- ▶ Transporte os seus produtos sempre sem as baterias colocadas!
- ▶ Retirar as baterias.
- ▶ Nunca transportar as baterias em embalagem solta.
- ▶ Após transporte prolongado, verificar a ferramenta e as baterias quanto a danos, antes da utilização.

### Armazenamento

#### CUIDADO

#### Dano acidental devido a baterias com defeito ou a perderem líquido !

- ▶ Armazene os seus produtos sempre sem as baterias colocadas!
- ▶ Armazenar a ferramenta e as baterias em local o mais fresco e seco possível.
- ▶ Nunca armazenar as baterias em locais onde fiquem sujeitas à exposição solar, em cima de radiadores ou por trás de um vidro.
- ▶ Armazenar a ferramenta e as baterias fora do alcance de crianças e pessoas não autorizadas.
- ▶ Após armazenamento prolongado, verificar a ferramenta e as baterias quanto a danos, antes da utilização.

## 10 Ajuda em caso de avarias

No caso de avarias que não sejam mencionadas nesta tabela ou se não conseguir resolvê-las por si mesmo, contacte o nosso Centro de Assistência Técnica **Hilti**.


### 10.1 Localização de avarias

Avaria	Causa possível	Solução
A bateria descarrega-se mais depressa do que habitualmente.	Temperatura ambiente muito baixa.	▶ Deixe a bateria aquecer lentamente até à temperatura ambiente.
A bateria não encaixa com clique audível.	Patilhas de fixação na bateria estão sujas.	▶ Limpe as patilhas de fixação e volte a encaixar a bateria.
Pisca 1 LED. A ferramenta não funciona.	A bateria está descarregada.	▶ Substitua a bateria e carregue a bateria descarregada.
	Bateria está demasiado fria ou demasiado quente.	▶ Deixe a bateria aquecer ou arrefecer lentamente até à temperatura ambiente.
Todos os 4 LEDs piscam. A ferramenta não funciona.	A ferramenta está sobrecarregada.	▶ Desligue e volte a ligar a ferramenta. Em seguida, deixe trabalhar a ferramenta durante aprox. 30 segundos em vazio.
Ferramenta ou bateria aquece demasiado.	Avaria eléctrica	▶ Desligue a ferramenta imediatamente, retire a bateria, observe a mesma, deixe-a arrefecer e contacte o Centro de Assistência Técnica <b>Hilti</b> .



Avaria	Causa possível	Solução
Fraca performance da ferramenta.	Está introduzida bateria com capacidade insuficiente.	▶ Utilize uma bateria com capacidade suficiente.
Sem função de travagem do motor.	A bateria está descarregada.	▶ Substitua a bateria e carregue a bateria descarregada.
	A ferramenta está temporariamente sobrecarregada.	▶ Largue o interruptor on/off e volte a accioná-lo.

## 11 Reciclagem

 As ferramentas **Hilti** são, em grande parte, fabricadas com materiais recicláveis. Um pré-requisito para a reciclagem é que esses materiais sejam devidamente separados. Em muitos países, a **Hilti** aceita a sua ferramenta usada para reutilização. Para mais informações dirija-se ao Serviço de Clientes **Hilti** ou ao seu vendedor.

### Remover baterias

Uma reciclagem incorrecta de baterias pode representar perigo para a saúde devido à fuga de gases ou líquidos.

- ▶ Não envie quaisquer baterias danificadas!
- ▶ Para evitar curto-circuitos, cubra as conexões com um material não condutor.
- ▶ Elimine as baterias de modo a mantê-las longe do alcance das crianças.
- ▶ Efectue a reciclagem da bateria na sua **Hilti Store** ou entre em contacto com a empresa de recolha de lixo responsável.



- ▶ Não deite as ferramentas eléctricas, aparelhos electrónicos e baterias no lixo doméstico!

## 12 Garantia do fabricante

- ▶ Em caso de dúvidas quanto às condições de garantia, contacte o seu parceiro **Hilti** local.





This Product is Certified  
Ce produit est homologué  
Producto homologado por  
Este producto está registrado









Hilti Corporation  
LI-9494 Schaan  
Tel.:+423 234 21 11  
Fax:+423 234 29 65  
[www.hilti.com](http://www.hilti.com)



2241317