

A

1x MFP-CH

3x MFP-PC 21-22 to 318-326

2x HST3-M16 x 135
2105858
HUS3-H 14 x 130
#2079923
HUS4-H 14 x 130
#2293571

Fmax
Hmin
Hmax

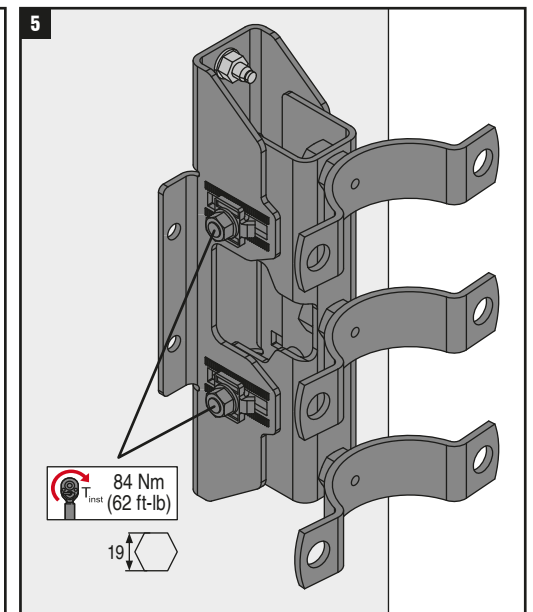
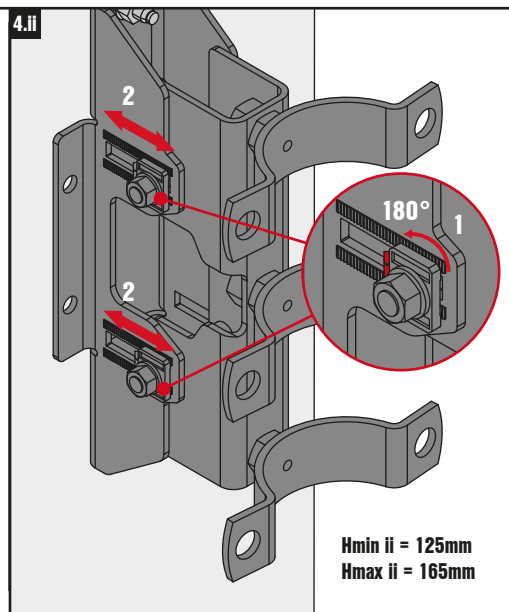
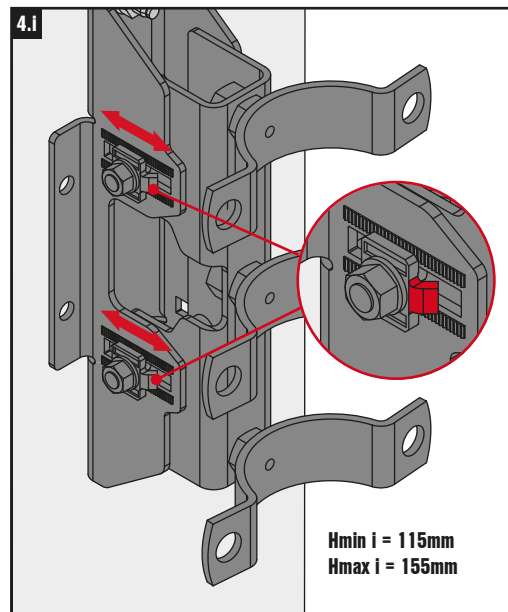
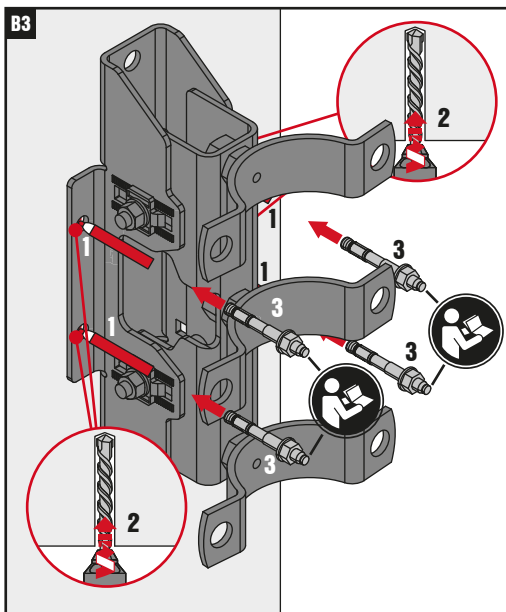
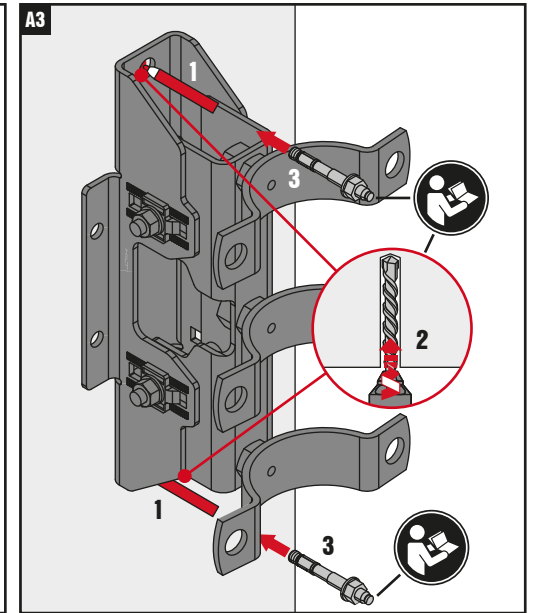
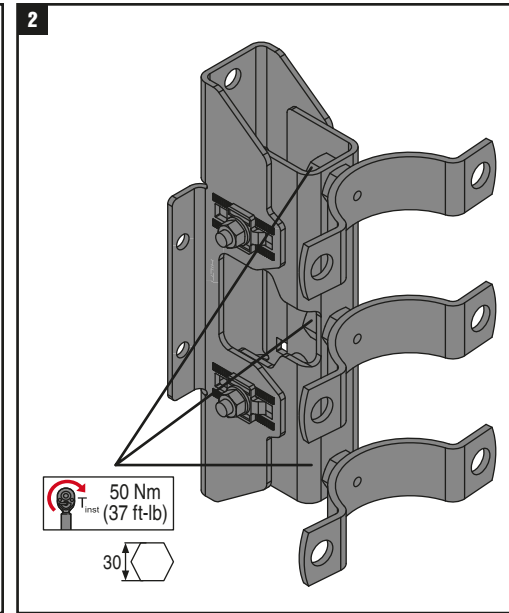
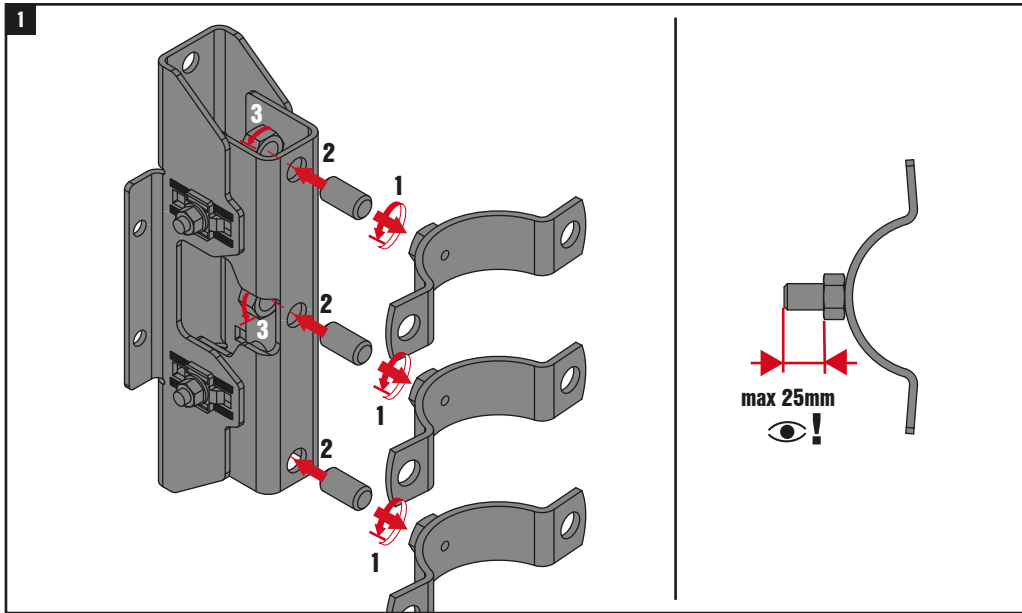
B

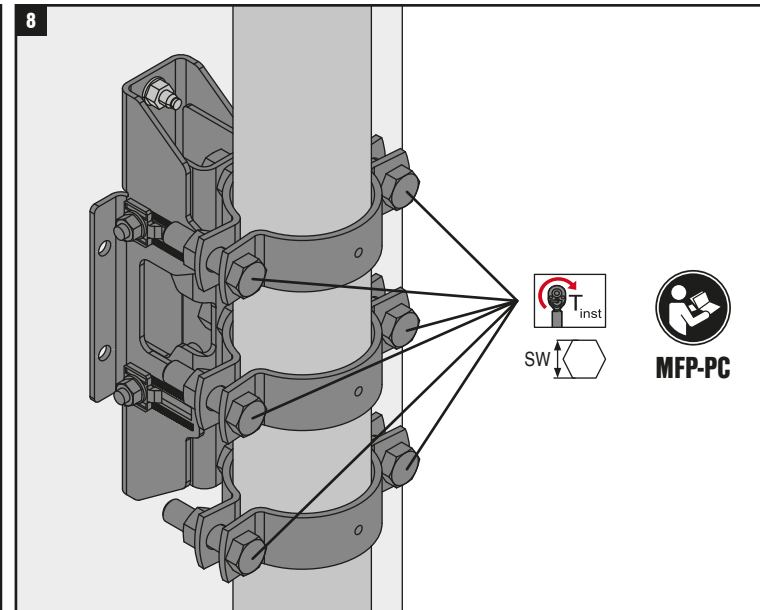
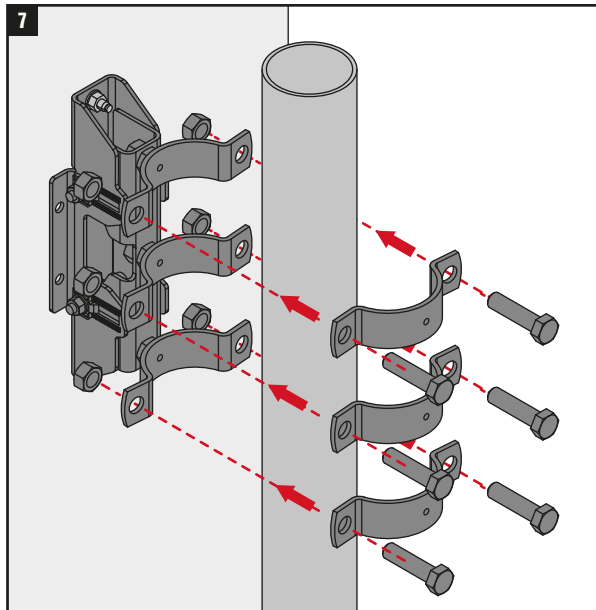
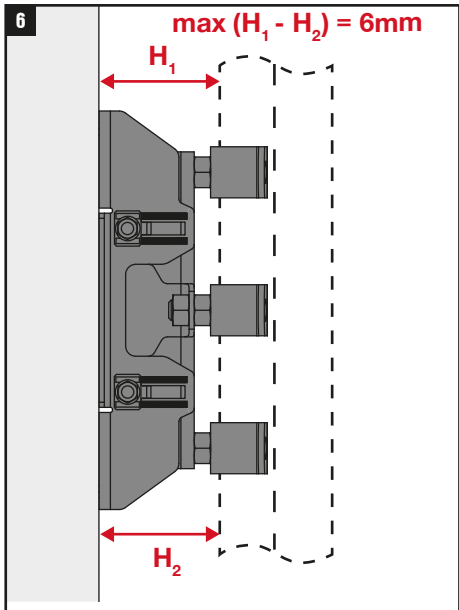
1x MFP-CH

3x MFP-PC 21-22 to 318-326

4x HST3-M12 x 105
2105718
HUS3-H 10 x 90
#2079914
HUS4-H 10 x 90
#2293555

Fmax
Hmin
Hmax





F > 14 kN

PROFIS
software
Installation

