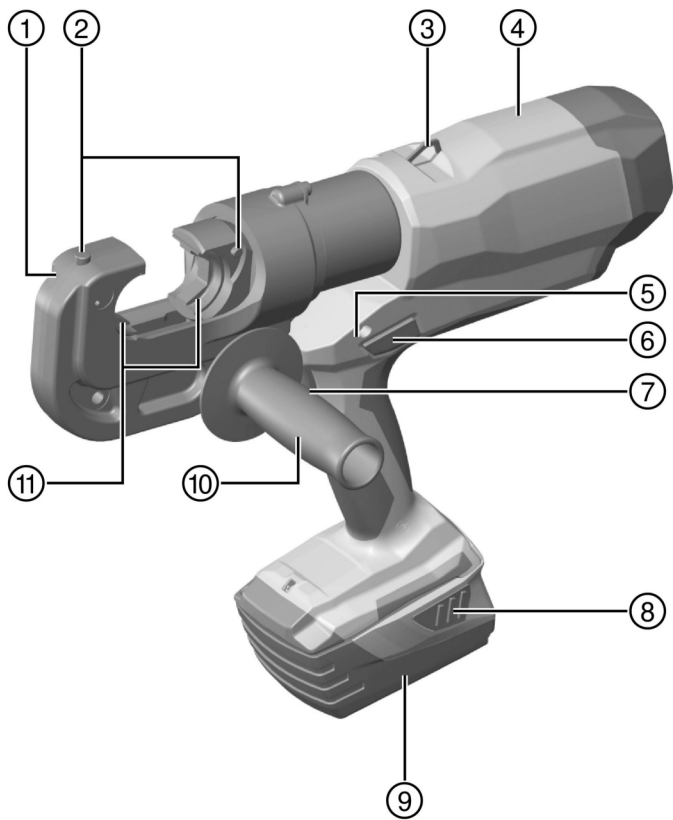
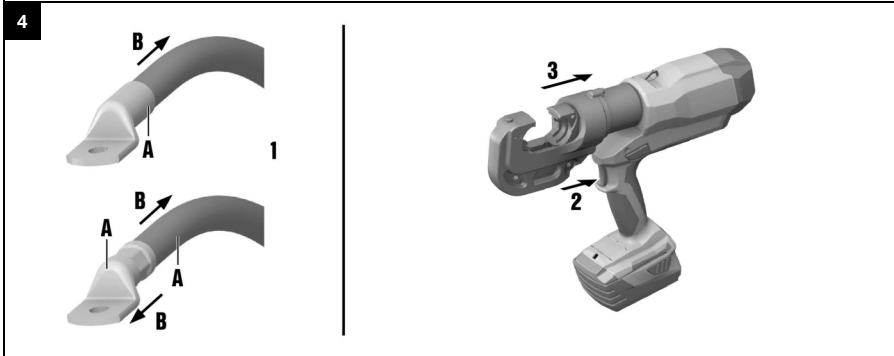
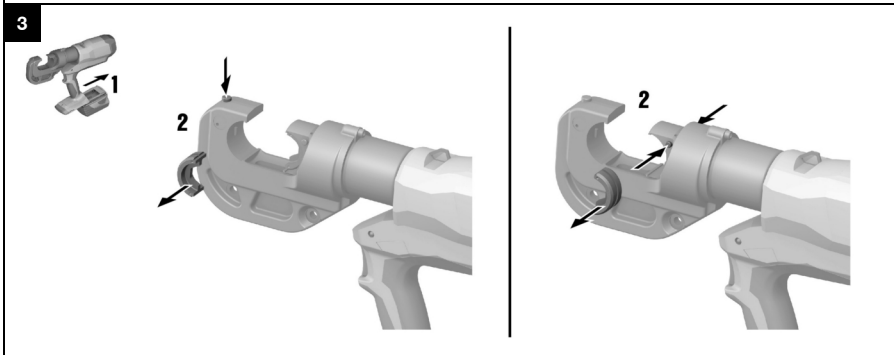
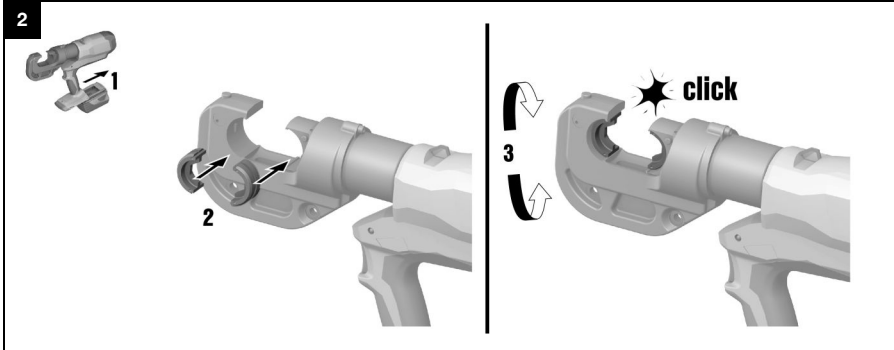




NCR 120 PC-A22
NCR 120C-A22

English	1
Français	12
Español	24
Português	37





NCR 120 PC-A22

NCR 120C-A22

en	Original operating instructions	1
fr	Notice d'utilisation originale	12
es	Manual de instrucciones original	24
pt	Manual de instruções original	37

Original operating instructions

1 Information about the operating instructions

1.1 About these operating instructions

- Read these operating instructions before the product is used or operated for the first time. This is a prerequisite for safe, trouble-free handling and use of the product.
- Observe the safety instructions and warnings in these operating instructions and on the product.
- Always keep the operating instructions with the product and make sure that the product is accompanied by these operating instructions only, when the product is given to other persons.

1.2 Explanation of symbols

1.2.1 Warnings

Warnings alert persons to hazards that occur when handling or using the product. The following signal words are used:

DANGER

DANGER !

- ▶ Draws attention to imminent danger that will lead to serious personal injury or fatality.

WARNING

WARNING !

- ▶ Draws attention to a potential threat of danger that can lead to serious injury or fatality.

CAUTION

CAUTION !

- ▶ Draws attention to a potentially dangerous situation that could lead to personal injury or damage to the equipment or other property.

1.2.2 Symbols in the operating instructions

The following symbols are used in these operating instructions:

	Comply with the operating instructions
	Instructions for use and other useful information
	Dealing with recyclable materials
	Do not dispose of electric equipment and batteries as household waste
	Hilti Li-ion battery
	Hilti charger

1.2.3 Symbols in illustrations

The following symbols are used in illustrations:

2	These numbers refer to the illustrations at the beginning of these operating instructions.
3	The numbering reflects the sequence of operations shown in the illustrations and may deviate from the steps described in the text.
11	Item reference numbers are used in the overview illustration and refer to the numbers used in the key in the product overview section.
	These characters are intended to specifically draw your attention to certain points when handling the product.



1.3 Product-dependent symbols

1.3.1 Symbols on the product

The following symbols can be used on the product:

	Risk of crushing injury!
	Risk of electric shock!
	The product supports wireless data transmission compatible with iOS and Android platforms.
	Hilti Li-ion battery type series used. Observe the information given in the section headed Intended use .
Li-Ion	Li-ion battery
	Never use the battery as a striking tool.
	Do not drop the battery. Never use a battery that has suffered an impact or is damaged in any other way.
	If applied on the product, the product has been certified by this certification body for the US and Canadian markets according to the applicable standards.

1.4 Product information

products are designed for professional users and only trained, authorized personnel are permitted to operate, service and maintain the products. This personnel must be specifically informed about the possible hazards. The product and its ancillary equipment can present hazards if used incorrectly by untrained personnel or if used not in accordance with the intended use.

The type designation and serial number are printed on the rating plate.

- ▶ Write down the serial number in the table below. You will be required to state the product details when contacting Hilti Service or your local Hilti organization to inquire about the product.

Product information

Crimping / pressing tool	NCR 120 PC-A22 NCR 120C-A22
Generation	01
Serial no.	

2 Safety

2.1 General power tool safety warnings

⚠ WARNING Read all safety warnings, instructions, illustrations and specifications provided with this power tool. Failure to follow all instructions listed below may result in electric shock, fire and/or serious injury. **Save all warnings and instructions for future reference.**

The term "power tool" in the warnings refers to your mains-operated (corded) power tool or battery-operated (cordless) power tool.

Work area safety

- ▶ **Keep work area clean and well lit.** Cluttered or dark areas invite accidents.
- ▶ **Do not operate power tools in explosive atmospheres, such as in the presence of flammable liquids, gases or dust.** Power tools create sparks which may ignite the dust or fumes.
- ▶ **Keep children and bystanders away while operating a power tool.** Distractions can cause you to lose control.

Electrical safety

- ▶ **Power tool plugs must match the outlet. Never modify the plug in any way. Do not use any adapter plugs with earthed (grounded) power tools.** Unmodified plugs and matching outlets will reduce risk of electric shock.
- ▶ **Avoid body contact with earthed or grounded surfaces, such as pipes, radiators, ranges and refrigerators.** There is an increased risk of electric shock if your body is earthed or grounded.



- ▶ **Do not expose power tools to rain or wet conditions.** Water entering a power tool will increase the risk of electric shock.
- ▶ **Do not abuse the cord. Never use the cord for carrying, pulling or unplugging the power tool. Keep cord away from heat, oil, sharp edges or moving parts.** Damaged or entangled cords increase the risk of electric shock.
- ▶ **When operating a power tool outdoors, use an extension cord suitable for outdoor use.** Use of a cord suitable for outdoor use reduces the risk of electric shock.
- ▶ **If operating a power tool in a damp location is unavoidable, use a residual current device (RCD) protected supply.** Use of an RCD reduces the risk of electric shock.

Personal safety

- ▶ **Stay alert, watch what you are doing and use common sense when operating a power tool. Do not use a power tool while you are tired or under the influence of drugs, alcohol or medication.** A moment of inattention while operating power tools may result in serious personal injury.
- ▶ **Use personal protective equipment. Always wear eye protection.** Protective equipment such as a dust mask, non-skid safety shoes, hard hat or hearing protection used for appropriate conditions will reduce personal injuries.
- ▶ **Prevent unintentional starting. Ensure the switch is in the off-position before connecting to power source and/or battery pack, picking up or carrying the tool.** Carrying power tools with your finger on the switch or energising power tools that have the switch on invites accidents.
- ▶ **Remove any adjusting key or wrench before turning the power tool on.** A wrench or a key left attached to a rotating part of the power tool may result in personal injury.
- ▶ **Do not overreach. Keep proper footing and balance at all times.** This enables better control of the power tool in unexpected situations.
- ▶ **Dress properly. Do not wear loose clothing or jewellery. Keep your hair and clothing away from moving parts.** Loose clothes, jewellery or long hair can be caught in moving parts.
- ▶ **If devices are provided for the connection of dust extraction and collection facilities, ensure these are connected and properly used.** Use of dust collection can reduce dust-related hazards.
- ▶ **Do not let familiarity gained from frequent use of tools allow you to become complacent and ignore tool safety principles.** A careless action can cause severe injury within a fraction of a second.

Power tool use and care

- ▶ **Do not force the power tool. Use the correct power tool for your application.** The correct power tool will do the job better and safer at the rate for which it was designed.
- ▶ **Do not use the power tool if the switch does not turn it on and off.** Any power tool that cannot be controlled with the switch is dangerous and must be repaired.
- ▶ **Disconnect the plug from the power source and/or remove the battery pack, if detachable, from the power tool before making any adjustments, changing accessories, or storing power tools.** Such preventive safety measures reduce the risk of starting the power tool accidentally.
- ▶ **Store idle power tools out of the reach of children and do not allow persons unfamiliar with the power tool or these instructions to operate the power tool.** Power tools are dangerous in the hands of untrained users.
- ▶ **Maintain power tools and accessories. Check for misalignment or binding of moving parts, breakage of parts and any other condition that may affect the power tool's operation. If damaged, have the power tool repaired before use.** Many accidents are caused by poorly maintained power tools.
- ▶ **Keep cutting tools sharp and clean.** Properly maintained cutting tools with sharp cutting edges are less likely to bind and are easier to control.
- ▶ **Use the power tool, accessories and tool bits etc. in accordance with these instructions, taking into account the working conditions and the work to be performed.** Use of the power tool for operations different from those intended could result in a hazardous situation.
- ▶ **Keep handles and grasping surfaces dry, clean and free from oil and grease.** Slippery handles and grasping surfaces do not allow for safe handling and control of the tool in unexpected situations.

Battery tool use and care

- ▶ **Recharge only with the charger specified by the manufacturer.** A charger that is suitable for one type of battery pack may create a risk of fire when used with another battery pack.
- ▶ **Use power tools only with specifically designated battery packs.** Use of any other battery packs may create a risk of injury and fire.
- ▶ **When battery pack is not in use, keep it away from other metal objects, like paper clips, coins, keys, nails, screws or other small metal objects, that can make a connection from one terminal to another.** Shorting the battery terminals together may cause burns or a fire.



- ▶ **Under abusive conditions, liquid may be ejected from the battery; avoid contact. If contact accidentally occurs, flush with water. If liquid contacts eyes, additionally seek medical help.** Liquid ejected from the battery may cause irritation or burns.
- ▶ **Do not use a battery pack or tool that is damaged or modified.** Damaged or modified batteries may exhibit unpredictable behaviour resulting in fire, explosion or risk of injury.
- ▶ **Do not expose a battery pack or tool to fire or excessive temperature.** Exposure to fire or temperature above 130° C (265 °F) may cause explosion.
- ▶ **Follow all charging instructions and do not charge the battery pack or tool outside the temperature range specified in the instructions.** Charging improperly or at temperatures outside the specified range may damage the battery and increase the risk of fire.

Service

- ▶ **Have your power tool serviced by a qualified repair person using only identical replacement parts.** This will ensure that the safety of the power tool is maintained.
- ▶ **Never service damaged battery packs.** Service of battery packs should only be performed by the manufacturer or authorized service providers.

2.2 Additional safety instructions for pressing tools

Safety when working in the vicinity of electrical installations

Invariably, before work commences a risk assessment has to be carried out, and the necessary protective measures have to be implemented.

All personnel involved in work in the vicinity of electrical installations must have received instruction concerning the applicable safety requirements, safety regulations and company operating procedures

Working procedures are divided into three different procedures: dead working, live working, working in the vicinity of live parts. All these procedures are based on the use of protective measures against electric shock and/or the effects of short-circuits and arcing. For further details refer to EN 50110 and any national requirements and practices. It shall be verified that all methods and tools chosen are suitable for the installation to be worked on.

- ▶ For all work on electrical installations, observe the valid international, national and local laws and regulations, such as EN 50110.

Personal safety

- ▶ Comply with the country-specific standards and safety instructions for operation of crimping / pressing tools and all work on, with or in proximity to electrically live equipment and lines.
- ▶ Persons who work in the vicinity of live lines must receive regular instruction and training.
- ▶ Use the crimping / pressing tool only when it is in technically faultless condition.
- ▶ Never tamper with or modify the crimping / pressing tool in any way.
- ▶ If you notice oil escaping, cease working with the tool and consult **Hilti Service**. Immediately remove the leaked oil.
- ▶ Check that the locking pin is pushed in all the way and securely engaged.
- ▶ Throughout the crimping / pressing operation, take great care to keep your hands and fingers well clear of the crimping / pressing head.
- ▶ Switch the crimping / pressing tool on only after bringing it to the working position.
- ▶ Be extra-careful when working on lines that are under mechanical tension.
- ▶ Always hold the crimping / pressing tool firmly with both hands on the grips provided for the purpose.
- ▶ Before each use, inspect the black coating on the tool head for indications of damage or aging. If you find such damage, the red coating is visible and/or the crush-hazard or electric-shock hazard symbol is no longer legible, do not use the crimping / pressing tool and contact **Hilti Service**.
- ▶ Do not secure a belt hook to this power tool.
- ▶ Risk of injury by falling tools and/or accessories. Before starting work, check that installed accessories are secure.
- ▶ Do not look directly into the light source (LEDs) of the power tool and do not aim the beam at other persons' faces. Risk of dazzling and you could injure the eyes.
- ▶ Keep the retaining strap and the tether clean and dry.

Electrical safety

- ▶ Before use of the crimping / pressing tool, all live cables and other equipment carrying electric voltage within the area in which the user is working are to be switched off. If this is not possible, the corresponding safety precautions for working in proximity to electrically live cables or equipment applicable in your country must be implemented and observed.



- ▶ Before using the crimping / pressing tool, make sure there are no concealed electric cables or gas or water pipes in the working area. External, metallic or electrically live parts can give you an electric shock if you inadvertently damage electric cables or gas or water pipes.
- ▶ Do not crimp / press live parts, i.e. parts carrying electric voltage. The crimping / pressing tool must be considered as being uninsulated and must therefore be used in combination with personal protective equipment (protective gloves, protective footwear, protective clothing, etc.) of a type suitable to provide protection for yourself and other persons in the vicinity. It is essential to ensure adequate insulation for working in the vicinity of electrically live lines, for example by the use of solid insulating material or maintenance of an adequate air gap. Among other uses, the crimping / pressing tool is suitable for use on electrically insulating aerial lifts or platforms.
- ▶ In order to use the crimping / pressing tool in the vicinity of electrically live lines, the user must:
 - ▶ take all different potentials (voltages) into account.
 - ▶ make sure that all chosen measures and tools are appropriate for the application.
 - ▶ be trained for working on electrically live lines.
 - ▶ wear fit-for-purpose personal protective equipment.
 - ▶ wear appropriate, close-fitting clothing.
 - ▶ remove metallic lifestyle accessories such as jewelry.

Power tool use and care

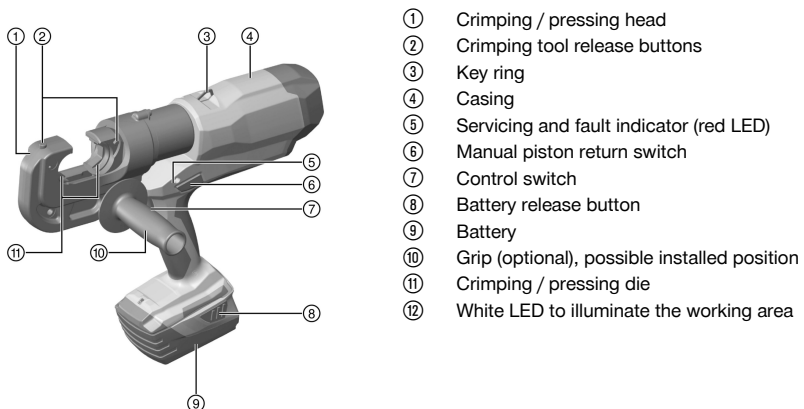
- ▶ After approx. 50 consecutive crimping / pressing operations, switch the power tool off and allow it to cool down for about 15 minutes. Overheating can lead to damage to the pressing tool.
- ▶ Store the pressing tool in a dry place inaccessible to children and unauthorized persons.

2.3 Careful handling and use of batteries

- ▶ Observe the special guidelines applicable to the transport, storage and use of lithium-ion batteries.
- ▶ Do not expose batteries to high temperatures, direct sunlight or fire.
- ▶ Do not disassemble, crush or incinerate batteries and do not subject them to temperatures over 80 °C (176 °F).
- ▶ Do not use or charge batteries that have suffered mechanical impact, have been dropped from a height or show signs of damage. In this case, always contact your **Hilti Service**.
- ▶ If the battery is too hot to touch it may be defective. Put the battery in a place where it is clearly visible and where there is no risk of fire, at an adequate distance from flammable materials. Allow the battery to cool down. If it is still too hot to touch after an hour, the battery is faulty. Contact **Hilti Service**.

3 Description

3.1 Product overview



- ① Crimping / pressing head
- ② Crimping tool release buttons
- ③ Key ring
- ④ Casing
- ⑤ Servicing and fault indicator (red LED)
- ⑥ Manual piston return switch
- ⑦ Control switch
- ⑧ Battery release button
- ⑨ Battery
- ⑩ Grip (optional), possible installed position
- ⑪ Crimping / pressing die
- ⑫ White LED to illuminate the working area

3.2 Intended use

The product described is an uninsulated, cordless, electro-hydraulic crimping / pressing tool. It is designed for crimping / pressing connection material made of copper (Cu) or aluminum (Al).



Before use of the power tool, all live cables or other items carrying electric voltage within the area in which the user is working must be switched off. If this is not possible, the corresponding safety precautions for working in proximity to live cables or equipment must be implemented and observed.

- Use only **Hilti** lithium-ion batteries of the B 22 series with this product.
- Use only **Hilti**-approved battery chargers to charge these batteries. More information is available from your **Hilti Store** or from **www.hilti.group**

3.3 Possible misuse

- Do not use this hand-held product clamped in a fixed position or as a stationary device.

3.4 Coated crimping / pressing head

NCR 120C-A22



DANGER

Electricity presents a risk of fatal accident! Contact with electrically live lines can lead to severe physical injury and/or death.

- ▶ The crimping tool is not insulated! If you use this crimping tool in the vicinity of electrically live lines, wear personal protective equipment.

The crimping / pressing head of the NCR 120C-A22 has a PVC coating made up of two layers. The inner layer of the PVC coating is red, the outer layer is black.



Before each use, inspect the black coating on the tool head for indications of damage or aging. If you find such damage, the red coating is visible and/or the crush-hazard or electric-shock-hazard symbol is no longer legible, do not use the crimping tool and contact **Hilti Service**.

3.5 Lithium-ion battery status display

The charge state of the Li-ion battery and malfunctions of the product are indicated by the indicator of the Li-ion battery. The state of charge of the Li-ion battery is displayed after pressing one of the two battery release buttons.

Status	Meaning
4 LEDs light.	State of charge: 75 % to 100 %
3 LEDs light.	State of charge: 50 % to 75 %
2 LEDs light.	State of charge: 25 % to 50 %
1 LED lights.	State of charge: 10 % to 25 %
1 LED flashes.	State of charge: < 10 %



Battery state of charge cannot be displayed while the control switch is pressed and for up to 5 seconds after releasing the control switch. If the LEDs of the charge state indicator flash, follow the instructions in the 'Troubleshooting' section.

3.6 Items supplied

Crimping / pressing tool, operating instructions.

Other system products approved for use with this product can be found at your local **Hilti Store** or at: **www.hilti.group**

3.7 Selecting the crimping / pressing die

A table to assist with selecting the type of crimping / pressing die to be used can be found at the end of these operating instructions.



4 Technical data

Rated voltage	21.6 V
Weight including battery B22/8.0	7.5 kg (16.5 lb)
Crimping / pressing time	8 s ... 9 s
Max. permissible crimping capacity	<ul style="list-style-type: none"> • 750 MCM (400 mm²) Cu • 750 MCM (400 mm²) Al
Max. crimping / pressing force	120 kN (27,000 lb _f)
Storage temperature	-20 °C ... 70 °C (-4 °F ... 158 °F)
Ambient temperature for operation	-17 °C ... 60 °C (1 °F ... 140 °F)

4.1 Battery

Battery operating voltage	21.6 V
Ambient temperature	-10 °C ... 60 °C (14 °F ... 140 °F)
Storage temperature	-20 °C ... 40 °C (-4 °F ... 104 °F)
Battery charging starting temperature	-10 °C ... 45 °C (14 °F ... 113 °F)

5 Operation

5.1 Preparations at the workplace

WARNING

Risk of injury by inadvertent starting!

- ▶ Before inserting the battery, make sure that the product is switched off.
- ▶ Remove the battery before making any adjustments to the power tool or before changing accessories.

WARNING

Risk of injury by incorrectly positioned crimping jaws! Incorrectly positioned crimping jaws can fly out like projectiles and cause injuries.

- ▶ Before and during the crimping operation, make sure that the crimping jaws are correctly positioned.

CAUTION

Risk of injury! The accessory tool may be hot and/or have sharp edges.

- ▶ Wear protective gloves when changing the accessory tool.
- ▶ Never lay down a hot accessory tool on a flammable surface.

Observe the safety instructions and warnings in this documentation and on the product.

5.2 Charging the battery

1. Before charging the battery, read the operating instructions for the charger.
2. Make sure that the contacts on the battery and the contacts on the charger are clean and dry.
3. Use an approved charger to charge the battery. → page 5



5.3 Inserting the battery

WARNING**Risk of injury by short circuit or falling battery!**

- ▶ Before inserting the battery, make sure that the contacts on the battery and the contacts on the product are free of foreign matter.
- ▶ Make sure that the battery always engages correctly.

1. Charge the battery fully before using it for the first time.
2. Push the battery into the product until it engages with an audible click.
3. Check that the battery is seated securely.


5.4 Removing the battery

1. Press the battery release buttons.
2. Remove the battery from the tool.


5.5 Fitting the crimping / pressing die 2

WARNING**Risk of injury!** Unintentional starting.

- ▶ Remove the battery before inserting, changing or removing the crimping die.

 Never operate the crimping / pressing tool without a crimping / pressing die in place!

1. Remove the battery and select the most suitable crimping / pressing die.
2. Push the crimping / pressing dies in until they engage.
3. Rotate the crimping / pressing head to the desired working position.

 The crimping / pressing head can be rotated much more easily when not under pressure.

5.6 Removing the crimping die 3

WARNING**Risk of injury!** Unintentional starting.


- ▶ Remove the battery before inserting, changing or removing the crimping die.

1. Remove the battery and rotate the crimping / pressing head into the outset position.
2. Press the lockbuttons and remove the crimping / pressing dies.

5.7 Fall arrest

WARNING**Risk of injury** by falling tool and/or accessory!

- ▶ Use only the **Hilti** tool tether recommended for your product.
- ▶ Prior to each use, always check the attachment point of the tool tether for possible damage.

 Comply with the national regulations for working at heights.

As drop arrester for this product, use only the **Hilti** tool tether #2261971.



- ▶ Use the loop to secure the tool tether to the product as shown in the illustration. Check that it holds securely.
- ▶ Secure the carabiner to a load-bearing structure. Check that the carabiner holds securely.

Comply with the operating instructions of the Hilti tool tether.



5.8 Crimping

DANGER

Electric shock hazard! Working in adverse outdoor conditions can cause electric shocks and/or short circuits.

- ▶ Never work on electrically live lines while a thunderstorm is in progress.
- ▶ Call a halt to work immediately whenever weather conditions impair the insulation characteristics, vision or movement of the workers.

WARNING

Danger! Risk of fire due to faulty crimping.

- ▶ Use crimping terminals of the correct type and size for the cable and with the corresponding crimping dies. Failure to observe this point can result in faulty crimping.
- ▶ Listen for the signal tone and check that the piston has retracted. If no signal tone is heard or if the piston does not retract then the crimping is faulty.

WARNING

Risk of injury due to oil escaping under high pressure! Oil escaping under high pressure can injure the skin and the eyes.

- ▶ Do not use the crimping tool if damage is visible.
- ▶ Do not use the crimping tool if oil escapes.
- ▶ Make sure that the piston retracts after every crimping operation.
- ▶ If the piston does not retract after the crimping operation, press the reset button for manual retraction.

WARNING

Risk of injury due to flying fragments! Flying fragments present a risk of injury to the eyes and body.

- ▶ Wear eye protection and protective gloves.
- ▶ Use suitable connecting material in combination with the correct crimping / pressing dies.
- ▶ Before and during the crimping operation, make sure that the crimping jaws are correctly positioned.

CAUTION

Short-circuit due to formation of flash produced by crimping operations! Faulty crimping can lead to the formation of flash, which can cause short-circuiting/arcing.

- ▶ Use the correct crimping / pressing die.
- ▶ Use suitable connecting material.
- ▶ Remove the flashes that form in the course of crimping work.

1. Insert the connector in the open crimping die.

In cold weather the hydraulic oil can thicken and slow the crimping / pressing operation. Perform 5 to 10 empty crimping / pressing operations to heat up the crimping / pressing tool.

2. Press the control switch.
3. Keep the control switch pressed until the piston has retracted.
4. Repeat the crimping operation if necessary, beginning at A and moving in the direction of arrow B, carrying out the number of crimping operations given in the tables.



6 Care and maintenance

WARNING

Risk of injury with battery inserted !

- ▶ Always remove the battery before carrying out care and maintenance tasks!
-

Care of the product

- Carefully remove stubborn dirt.
- Carefully clean the air vents, if present, with a dry, soft brush.
- Use only a slightly damp cloth to clean the housing. Do not use cleaning agents containing silicone as these can attack the plastic parts.
- Use a dry, clean cloth to clean the contacts of the product.

Care of the Li-ion batteries

- Never use a battery with clogged air vents. Clean the air vents carefully using a dry, soft brush.
- Avoid unnecessary exposure of the battery to dust and dirt. Never expose the battery to high levels of moisture (e.g. by being dipped in water or left in the rain).
If a battery has been soaked by moisture, treat it as a damaged battery. Isolate it in a non-flammable container and consult **Hilti Service**.
- Keep the battery free of extraneous oil and grease. Do not permit dust or dirt to accumulate unnecessarily on the battery. Clean the battery with a dry, soft brush or a clean, dry cloth. Do not use cleaning agents containing silicone as these can attack the plastic parts.
Do not touch the contacts of the battery and do not remove the factory-applied grease from the contacts.
- Use only a slightly damp cloth to clean the housing. Do not use cleaning agents containing silicone as these can attack the plastic parts.

Maintenance

- Check all visible parts and controls for signs of damage at regular intervals and make sure that they all function correctly.
 - Do not use the product if signs of damage are found or if parts malfunction. Immediately have the product repaired by **Hilti Service**.
 - After cleaning and maintenance, install all guards and protective devices and check that they are in full working order.
-



To help ensure safe and reliable operation, use only genuine Hilti spare parts and consumables. Spare parts, consumables and accessories approved by **Hilti** for use with your product can be found at your **Hilti Store** or online at: www.hilti.group

7 Transport and storage of cordless tools and batteries

Transport

CAUTION

Accidental starting during transport !

- ▶ Always transport your products with the batteries removed!
- ▶ Remove the battery/batteries.
- ▶ Never transport batteries loose and unprotected. During transport, batteries should be protected from excessive shock and vibration and isolated from any conductive materials or other batteries that may come in contact with the terminals and cause a short circuit. **Comply with the locally applicable regulations for transporting batteries.**
- ▶ Do not send batteries through the mail. Consult your shipper for instructions on how to ship undamaged batteries.
- ▶ Prior to each use and before and after prolonged transport, check the product and the batteries for damage.

Storage

WARNING

Accidental damage caused by defective or leaking batteries !

- ▶ Always store your products with the batteries removed!
-



- ▶ Store the product and the batteries in a cool and dry place. Comply with the temperature limits stated in the technical data.
- ▶ Do not store batteries on the charger. Always remove the battery from the charger when the charging operation has completed.
- ▶ Never leave batteries in direct sunlight, on sources of heat, or behind glass.
- ▶ Store the product and batteries where they cannot be accessed by children or unauthorized persons.
- ▶ Prior to each use and before and after prolonged storage, check the product and the batteries for damage.

8 Troubleshooting

If the trouble you are experiencing is not listed in this table or you are unable to remedy the problem by yourself, please contact **Hilti Service**.

8.1 The crimping / pressing tool is not in working order.

Malfunction	Possible cause	Action to be taken
The LEDs on the battery indicate nothing.	The battery is not correctly inserted.	▶ Push the battery in until it engages with a double click.
	Battery is discharged.	▶ Change the battery and charge the empty battery.
	The battery is too hot or too cold.	▶ Allow the battery to cool down or to warm up to room temperature.
1 LED on the battery blinks.	Battery is discharged.	▶ Change the battery and charge the empty battery.
	The battery is too hot or too cold.	▶ Allow the battery to cool down or to warm up to room temperature.
4 LEDs on the battery blink.	Product momentarily overloaded.	▶ Allow the product to cool down.
Red LED => lights continuously and a warning tone is emitted.	Technical problem.	▶ Incorrect operation is possible! Contact Hilti Service.
Red LED => blinks at short intervals and a warning tone is emitted.	The state of charge of the battery is too low to allow a complete operating cycle.	▶ Change the battery and charge the empty battery.
Red LED => lights briefly and no warning tone is emitted.	Product overheated.	▶ Allow the product to cool down.

8.2 The crimping / pressing tool is in working order.

Trouble or fault	Possible cause	Action to be taken
The battery runs down more quickly than usual.	Very low ambient temperature.	▶ Allow the battery to warm up slowly to room temperature.
The battery does not engage with an audible double click.	The retaining lugs on the battery are dirty.	▶ Clean the retaining lugs and refit the battery.
Red LED => blinks at long intervals and a warning tone is emitted.	Crimping pressure not achieved (tool was used incorrectly).	▶ Make sure that the tool is used correctly and check the crimped / pressed part if unsure.
Red LED => lights continuously and a warning tone is emitted.	Technical problem.	▶ Incorrect operation is possible! Contact Hilti Service.




9 Disposal

WARNING

Risk of injury due to incorrect disposal! Health hazards due to escaping gases or liquids.

- ▶ DO NOT send batteries through the mail!
 - ▶ Cover the terminals with a non-conductive material (such as electrical tape) to prevent short circuiting.
 - ▶ Dispose of your battery out of the reach of children.
 - ▶ Dispose of the battery at your **Hilti Store**, or consult your local governmental garbage disposal or public health and safety resources for disposal instructions.
-

 Most of the materials from which **Hilti** products are manufactured can be recycled. The materials must be correctly separated before they can be recycled. In many countries, your old tools, machines or appliances can be returned to **Hilti** for recycling. Ask **Hilti Service** or your Hilti sales representative for further information.



- ▶ Do not dispose of power tools, electronic equipment or batteries as household waste!
-

10 Further information

For more information on operation, technology, environment and recycling, follow this link: qr.hilti.com/manual?id=2215655

This link is also to be found at the end of the documentation, in the form of a QR code.

11 Manufacturer's warranty

- ▶ Please contact your local **Hilti** representative if you have questions about the warranty conditions.

Notice d'utilisation originale

1 Indications relatives au mode d'emploi

1.1 À propos de ce mode d'emploi

- Avant de mettre l'appareil en marche, lire impérativement ce mode d'emploi. C'est la condition préalablement requise pour assurer la sécurité du travail et un maniement sans perturbations.
- Bien respecter les consignes de sécurité et les avertissements du présent mode d'emploi ainsi que celles figurant sur le produit.
- Toujours conserver le mode d'emploi à proximité du produit et uniquement transmettre le produit à des tiers accompagné de ce mode d'emploi.

1.2 Explication des symboles

1.2.1 Avertissements

Les avertissements attirent l'attention sur des dangers liés à l'utilisation du produit. Les termes de signalisation suivants sont utilisés :

DANGER

DANGER !

- ▶ Pour un danger imminent qui peut entraîner de graves blessures corporelles ou la mort.
-

AVERTISSEMENT

AVERTISSEMENT !

- ▶ Pour un danger potentiel qui peut entraîner de graves blessures corporelles ou la mort.
-



ATTENTION

ATTENTION !

- Pour une situation potentiellement dangereuse pouvant entraîner des blessures corporelles ou des dégâts matériels.

1.2.2 Symboles dans le manuel d'utilisation

Les symboles suivants sont utilisés dans le présent manuel d'utilisation :

	Respecter le manuel d'utilisation
	Pour des conseils d'utilisation et autres informations utiles
	Maniement des matériaux recyclables
	Ne pas jeter les appareils électriques et les accus dans les ordures ménagères
	Hilti Accu Li-Ion
	Hilti Chargeur

1.2.3 Symboles dans les illustrations

Les symboles suivants sont utilisés dans les illustrations :

	Ces chiffres renvoient à l'illustration correspondante au début du présent manuel d'utilisation.
	La numérotation détermine la séquence des étapes de travail dans l'image et peut se différencier de celles des étapes de travail dans le texte.
	Les numéros de position sont utilisés dans l'illustration Vue d'ensemble et renvoient aux numéros des légendes dans la section Vue d'ensemble du produit .
	Ce signe doit inviter à manier le produit en faisant particulièrement attention.

1.3 Symboles spécifiques au produit

1.3.1 Symboles sur le produit

Les symboles suivants peuvent être utilisés sur le produit :

	Risque de pincement !
	Risque d'électrocution !
	Le produit prend en charge la transmission de données sans fil qui est compatible avec les plates-formes iOS et Android.
	Série de type d'accu Li-Ion Hilti utilisée. Observer les instructions au chapitre Utilisation conforme à l'usage prévu .
Li-Ion	Accu lithium-ions
	Ne jamais utiliser l'accu comme outil de percussion.
	Ne pas laisser tomber l'accu. Ne pas utiliser d'accu ayant subi un choc ou d'autres dommages.
	Si présent sur le produit, c'est que le produit a été certifié conformément aux normes en vigueur par cet organisme de certification pour le marché nord-américain et canadien.

1.4 Informations produit

Les produits sont destinés aux professionnels et ne doivent être utilisés, entretenus et réparés que par un personnel autorisé et formé. Ce personnel doit être spécialement instruit quant aux dangers



inhérents à l'utilisation de l'appareil. Le produit et ses accessoires peuvent s'avérer dangereux s'ils sont utilisés de manière incorrecte par un personnel non qualifié ou de manière non conforme à l'usage prévu.

La désignation du modèle et le numéro de série figurent sur sa plaque signalétique.

- ▶ Inscrivez le numéro de série dans le tableau suivant. Les informations produit vous seront demandées lorsque vous contactez nos revendeurs ou services après-vente.

Caractéristiques produit

Sertisseuse	NCR 120 PC-A22 NCR 120C-A22
Génération	01
N° de série	

2 Sécurité

2.1 Indications générales de sécurité pour les appareils électriques

⚠ AVERTISSEMENT Lire toutes les consignes de sécurité et instructions, illustrations et caractéristiques techniques, qui accompagnent cet outil électroportatif. Tout manquement à l'observation des instructions suivantes risque de provoquer une électrocution, un incendie et/ou de graves blessures.

Les consignes de sécurité et instructions doivent être intégralement conservées pour les utilisations futures.

La notion d'« outil électroportatif » mentionnée dans les consignes de sécurité se rapporte à des outils électriques raccordés au secteur (avec câble d'alimentation) et à des outils électriques sur accu (sans câble d'alimentation).

Sécurité sur le lieu de travail

- ▶ **Conserver la zone de travail propre et bien éclairée.** Un lieu de travail en désordre ou mal éclairé augmente le risque d'accidents.
- ▶ **Ne pas faire fonctionner les outils électriques en atmosphère explosive et où se trouvent des liquides, des gaz ou poussières inflammables.** Les outils électriques produisent des étincelles qui peuvent enflammer les poussières ou les fumées.
- ▶ **Maintenir les enfants et les personnes présentes à l'écart pendant l'utilisation de l'outil électroportatif.** En cas d'inattention il y a risque de perdre le contrôle de l'appareil.

Sécurité relative au système électrique

- ▶ **La fiche de secteur de l'outil électroportatif doit être adaptée à la prise de courant. Ne jamais modifier la fiche de quelque façon que ce soit. Ne pas utiliser d'adaptateurs avec des outils électriques à branchement de terre.** Des fiches non modifiées et des prises de courant adaptées réduiront le risque de choc électrique.
- ▶ **Éviter le contact physique avec des surfaces mises à la terre tels que tuyaux, radiateurs, cuisinières et réfrigérateurs.** Il y a un risque élevé de choc électrique au cas où votre corps serait relié à la terre.
- ▶ **Ne pas exposer les outils électroportatifs à la pluie ou à l'humidité.** La pénétration d'eau à l'intérieur d'un outil électroportatif augmentera le risque d'un choc électrique.
- ▶ **Ne jamais utiliser le câble de raccordement à d'autres fins que celles prévues, telles que pour porter, accrocher ou débrancher l'outil électroportatif de la prise de courant. Maintenir le câble de raccordement à l'écart de la chaleur, des parties grasses, des bords tranchants ou des parties en mouvement.** Des câbles de raccordement endommagés ou emmêlés augmentent le risque de choc électrique.
- ▶ **Si l'outil électroportatif est utilisé à l'extérieur, utiliser uniquement des câbles de rallonge homologués pour les applications extérieures.** L'utilisation d'un câble de rallonge homologué pour les applications extérieures réduit le risque d'un choc électrique.
- ▶ **Si l'utilisation de l'outil électrique dans un environnement humide ne peut pas être évitée, utiliser un interrupteur de protection contre les courants de court-circuit.** L'utilisation d'un tel interrupteur de protection réduit le risque d'une décharge électrique.

Sécurité des personnes

- ▶ **Rester vigilant, surveiller ce que l'on fait. Faire preuve de bon sens en utilisant l'outil électroportatif. Ne pas utiliser l'outil électroportatif en étant fatigué ou sous l'emprise de l'alcool, de drogues ou de médicaments.** Un moment d'inattention lors de l'utilisation de l'outil électroportatif peut entraîner des blessures graves.
- ▶ **Utiliser un équipement de protection personnel et toujours porter une protection pour les yeux.** Les équipements de protection personnels tels que masque antipoussière, chaussures de sécurité antidérapantes, casque de protection ou protection acoustique suivant l'utilisation de l'outil électroportatif, réduiront le risque de blessures des personnes.



- ▶ **Éviter une mise en service par mégarde. S'assurer que l'outil électroportatif est arrêté avant de le brancher à la source de courant et/ou à l'accu, de le prendre ou de le porter.** Le fait de porter l'outil électroportatif avec le doigt sur l'interrupteur ou de brancher l'appareil sur la source de courant lorsque l'interrupteur est en position de fonctionnement peut entraîner des accidents.
- ▶ **Retirer tout outil de réglage ou toute clé avant de mettre l'outil électroportatif en fonctionnement.** Une clé ou un outil se trouvant sur une partie en rotation peut causer des blessures.
- ▶ **Adopter une bonne posture. Veiller à toujours garder une position stable et équilibrée.** Cela permet un meilleur contrôle de l'outil électroportatif dans des situations inattendues.
- ▶ **S'habiller de manière adaptée. Ne pas porter de vêtements amples ni de bijoux. Garder les cheveux, les vêtements et les gants à distance des parties en mouvement.** Des vêtements amples, des bijoux ou des cheveux longs peuvent être happés par des parties en mouvement.
- ▶ **Si des dispositifs servant à aspirer ou à recueillir les poussières doivent être utilisés, s'assurer qu'ils sont effectivement raccordés et correctement utilisés.** L'utilisation d'un dispositif d'aspiration de la poussière peut réduire les risques dus aux poussières.
- ▶ **Ne pas sous-estimer les mesures de sécurité à prendre et ne pas ignorer sciemment les règles de sécurité applicables aux outils électriques, même si l'on est utilisateur chevronné après de fréquentes utilisations de l'outil électroportatif.** Un manque d'attention peut conduire à de graves blessures en quelques fractions de seconde.

Utilisation et maniement de l'outil électroportatif

- ▶ **Ne pas forcer l'appareil. Utiliser l'outil électroportatif adapté au travail à effectuer.** Un outil électroportatif approprié réalisera mieux le travail et de manière plus sûre au régime pour lequel il a été conçu.
- ▶ **Ne pas utiliser d'outil électroportatif dont l'interrupteur est défectueux.** Tout outil électroportatif qui ne peut plus être mis en ou hors fonctionnement est dangereux et doit être réparé.
- ▶ **Débrancher la fiche de la prise de courant et/ou l'accu amovible avant d'effectuer des réglages sur l'appareil, de changer les accessoires, ou de ranger l'appareil.** Cette mesure de précaution empêche une mise en fonctionnement par mégarde de l'outil électroportatif.
- ▶ **Conserver les outils électroportatifs non utilisés hors de portée des enfants. Ne permettre l'utilisation de l'appareil à aucune personne qui ne soit pas familiarisée avec celui-ci ou qui n'a pas lu ces instructions.** Les outils électroportatifs sont dangereux lorsqu'ils sont entre les mains de personnes non initiées.
- ▶ **Prendre soin des outils électroportatifs et des accessoires. Vérifier que les parties en mouvement fonctionnent correctement et qu'elles ne sont pas coincées, et contrôler si des parties sont cassées ou endommagées de sorte que le bon fonctionnement de l'outil électroportatif s'en trouve entravé. Faire réparer les parties endommagées avant d'utiliser l'appareil.** De nombreux accidents sont dus à des outils électroportatifs mal entretenus.
- ▶ **Garder les outils de coupe affûtés et propres.** Des outils destinés à couper correctement entretenus avec des arêtes de coupe tranchantes sont moins susceptibles de bloquer et sont plus faciles à contrôler.
- ▶ **L'outil électroportatif, les accessoires, les outils amovibles, etc. doivent être utilisés conformément à ces instructions. Tenir également compte des conditions de travail et du travail à réaliser.** L'utilisation des outils électroportatifs à d'autres fins que celles prévues peut entraîner des situations dangereuses.
- ▶ **Veiller à ce que les poignées et surfaces de préhension soient toujours être sèches, propres et exemptes de traces de graisse ou d'huile.** Avec des poignées et surfaces de préhension glissantes, la sécurité et le contrôle de l'outil électroportatif ne peuvent être assurés dans des situations inopinées.

Utilisation et maniement de l'outil sur accu

- ▶ **Ne charger les accus que dans des chargeurs recommandés par le fabricant.** Si un chargeur approprié à un type spécifique d'accus est utilisé avec des accus non recommandés pour celui-ci, il y a risque d'incendie.
- ▶ **Dans les outils électroportatifs, utiliser uniquement les accus spécialement prévus pour ceux-ci.** L'utilisation de tout autre accu peut entraîner des blessures et des risques d'incendie.
- ▶ **Tenir l'accu non utilisé à l'écart de tous objets métalliques tels qu'agrafes, pièces de monnaie, clés, clous, vis ou autres, étant donné qu'un pontage peut provoquer un court-circuit.** Un court-circuit entre les contacts d'accu peut provoquer des brûlures ou un incendie.
- ▶ **En cas d'utilisation abusive, du liquide peut sortir de l'accu. Éviter tout contact avec ce liquide. En cas de contact par mégarde, rincer soigneusement avec de l'eau. Au cas où le liquide rentrerait dans les yeux, consulter en plus un médecin.** Le liquide qui sort de l'accu peut entraîner des irritations de la peau ou causer des brûlures.



- ▶ **Ne pas utiliser d'accu endommagé ou modifié.** Des accus endommagés ou modifiés peuvent avoir un comportement imprévisible et provoquer un incendie, une explosion ou engendrer un risque de blessures.
- ▶ **Ne jamais exposer l'accu au feu ou à des températures trop élevées.** Le feu ou des températures supérieures à 130 °C (265 °F) peuvent provoquer une explosion.
- ▶ **Suivre toutes les instructions de charge et ne jamais charger l'accu ou l'outil sur accu hors de la plage de températures spécifiée dans le manuel d'utilisation.** Une charge inappropriée ou hors de la plage de températures spécifiée risque d'endommager l'accu et accroître le risque d'incendie.

Service

- ▶ **L'outil électroportatif doit uniquement être réparé par un personnel qualifié et seulement avec des pièces de recharge d'origine.** Ceci permet d'assurer la sécurité de l'appareil.
- ▶ **Ne jamais entretenir d'accus endommagés.** Toutes les opérations d'entretien sur des accus doivent exclusivement être réalisées par le fabricant ou un prestataire de service client agréé.

2.2 Consignes de sécurité supplémentaires spécifiques à la sertisseuse

Sécurité lors de travaux à proximité d'installations électriques

Avant de commencer à travailler, procéder à évaluation des risques et prendre les mesures de protection nécessaires.

Le personnel travaillant à proximité d'installations électriques doit recevoir une instruction sur les exigences de sécurité et sur les règles de sécurité et d'entreprise applicables à sa zone de travail

La distinction est faite entre trois méthodes de travail : les travaux hors tension, les travaux sous tension, les travaux à proximité de pièces sous tension. Ces trois méthodes nécessitent des mesures de sécurité efficaces contre les chocs électriques et contre les effets des courts-circuits et des arcs électriques. Pour plus d'informations, voir la norme EN 50110 et les autres exigences et procédures nationales. Vérifier que toutes les procédures et tous les outils sélectionnés sont adaptés à l'installation sur laquelle le travail doit être effectué.

- ▶ Pour tous les travaux sur des installations électriques, respecter les lois et réglementations internationales, nationales et locales applicables, telles que la norme EN 50110.

Sécurité des personnes

- ▶ Respecter les normes et les consignes de sécurité spécifiques au pays pour l'utilisation de sertisseuses et tous les travaux sur, avec ou à proximité de pièces et de câbles sous tension.
- ▶ Le personnel travaillant à proximité de lignes sous tension doit être régulièrement formé.
- ▶ N'utiliser la sertisseuse que dans un état technique impeccable.
- ▶ Ne jamais entreprendre de manipulations ou de modifications sur la sertisseuse.
- ▶ En cas de détection d'une fuite d'huile, ne plus utiliser l'outil et contacter le S.A.V. Hilti. Éliminer immédiatement l'huile épandue.
- ▶ S'assurer que la goupille de verrouillage est complètement insérée et bien encliquetée.
- ▶ Lors de l'opération de sertissage, veiller à respecter une distance suffisante entre la tête de sertissage et la main / les doigts.
- ▶ Seulement mettre la sertisseuse en marche lorsqu'elle est en position de travail.
- ▶ Lors de travaux sur des lignes sous tension mécanique, faire preuve d'une prudence accrue.
- ▶ Toujours tenir la sertisseuse des deux mains par les poignées prévues à cet effet.
- ▶ Avant chaque utilisation, vérifier que le revêtement noir de la tête de l'outil n'est pas endommagé ou usé. En cas de constatation de dommages, si le revêtement rouge est visible et/ou si le symbole de risque d'écrasement ou de choc électrique n'est plus lisible, ne pas utiliser la sertisseuse et contacter le S.A.V. Hilti.
- ▶ Ne pas monter de mousqueton de ceinture sur cet outil.
- ▶ Risque de blessures dues à la chute d'outils et/ou d'accessoires. Avant de commencer à travailler, contrôler si l'accessoire monté est solidement fixé.
- ▶ Ne jamais regarder directement dans la lumière (LED) et ne jamais orienter la lumière directement dans le visage d'une personne. Il y a un risque d'éblouissement et de blessures oculaires.
- ▶ Toujours maintenir la sécurité anti-chute et la longe porte-outil propres et sèches.

Sécurité relative au système électrique

- ▶ Avant d'utiliser la sertisseuse, il faut mettre hors tension tous les éléments actifs, c'est-à-dire les éléments conducteurs de courant qui se trouvent dans l'environnement de travail de l'opérateur. Si cela n'est pas possible, prendre les mesures de sécurité appropriées applicables dans le pays d'utilisation pour travailler à proximité de câbles ou pièces sous tension.



- ▶ Avant d'utiliser la sertisseuse, s'assurer qu'il n'y a pas de lignes électriques cachées ou de conduites de gaz ou d'eau dans l'espace de travail. Les pièces métalliques ou sous tension extérieures peuvent entraîner un choc électrique si vous endommagez accidentellement les câbles électriques ou les conduites de gaz ou d'eau.
- ▶ Ne jamais faire de sertissage sur des pièces sous tension. La sertisseuse étant considérée comme non isolée, il faut par conséquent l'utiliser avec un équipement de protection individuel (gants, chaussures, vêtements, etc.) apte à protéger l'utilisateur ainsi que toute personne se trouvant à proximité. Une isolation suffisante doit être assurée pour les travaux à proximité de lignes sous tension, par exemple en utilisant un matériau isolant solide ou en maintenant un espace suffisant. La sertisseuse est, entre autres, appropriée pour une utilisation sur des plates-formes de levage ou des plates-formes électriquement isolées.
- ▶ Pour utiliser la sertisseuse à proximité de câbles sous tension, l'utilisateur doit :
 - ▶ Tenir compte de tous les différents potentiels (tensions).
 - ▶ S'assurer que toutes les mesures et outils sélectionnés sont appropriés pour l'application.
 - ▶ Être formé pour le travail sur des câbles sous tension.
 - ▶ Porter un équipement de protection individuelle approprié.
 - ▶ Porter des vêtements appropriés prêts du corps.
 - ▶ Ne pas porter d'accessoires métalliques comme des bijoux.

Utilisation et emploi soigneux des outils électroportatifs

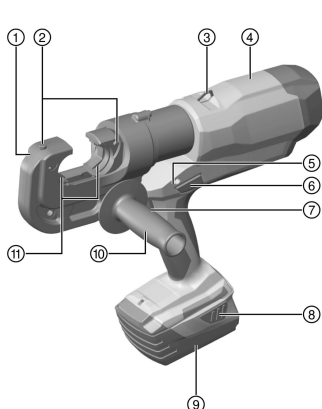
- ▶ Tous les 50 sertissages environ, mettre l'outil hors tension et faire une pause de 15 min environ pour le laisser refroidir. Toute surchauffe risque d'endommager la sertisseuse.
- ▶ Stocker la sertisseuse dans un endroit sec hors de la portée des enfants et des personnes non autorisées.

2.3 Utilisation et emploi soigneux des accus

- ▶ Respecter les directives spécifiques relatives au transport, au stockage et à l'utilisation des accus Li-Ion.
- ▶ Ne pas exposer les accus à des températures élevées, ni au rayonnement direct du soleil ni au feu.
- ▶ Les accus ne doivent pas être démontés, écrasés, chauffés à une température supérieure à 80 °C (176 °F) ou jetés au feu.
- ▶ Ne jamais utiliser ni charger d'accus qui ont subi un choc électrique, qui sont tombés de plus d'un mètre ou qui ont été endommagés d'une manière quelconque. Si tel est le cas, il convient de contacter le **S.A.V. Hilti**.
- ▶ Si l'accu est trop chaud pour être touché, il est probablement défectueux. Placer l'accu dans un endroit bien visible, non inflammable et suffisamment éloigné de matériaux inflammables. Laisser l'accu refroidir. Si, après une heure, l'accu est toujours trop chaud pour être saisi, c'est qu'il est défectueux. Contacter le **S.A.V. Hilti**.

3 Description

3.1 Vue d'ensemble du produit 1



- ① Tête de sertissage
- ② Boutons-poussoirs pour desserrer les mors à sertir
- ③ Fourreau
- ④ Boîtier
- ⑤ Témoin d'avertissement et de défauts (LED rouge)
- ⑥ Interrupteur à rappel automatique pour le recul manuel
- ⑦ Variateur électronique de vitesse
- ⑧ Bouton de déverrouillage de l'accu
- ⑨ Accu
- ⑩ Possibilités de fixation de la poignée (en option)
- ⑪ Insert de sertissage
- ⑫ LED blanche d'éclairage de la zone de travail



3.2 Utilisation conforme à l'usage prévu

Le produit décrit est un appareil à sertir électrohydraulique sans fil non isolé.

Il est destiné au sertissage de matériaux de jonction en cuivre (Cu) ou aluminium (Al).

Avant de commencer à travailler, il faut mettre hors tension tous les éléments actifs, c'est-à-dire les éléments conducteurs de courant qui se trouvent dans l'environnement de travail de l'opérateur. Si ce n'est pas possible, prendre des mesures de protection appropriées pour travailler à proximité de composants sous tension électrique.

- Pour ce produit, utiliser exclusivement les accus Li-Ion **Hilti** de la série B 22.
- Pour ces accus, n'utiliser que des chargeurs homologués par **Hilti**. Vous trouverez de plus amples informations dans votre **Hilti Store** ou à l'adresse : **www.hilti.group**

3.3 Risque d'utilisation non conforme

- Le produit à guidage manuel ne doit pas être encastré à des fins d'utilisation stationnaire.

3.4 Tête de sertissage enduite

NCR 120C-A22



Danger de mort par électrocution ! Le contact avec des câbles sous tension peut entraîner des blessures graves ou la mort.

- ▶ La sertisseuse n'est pas isolée. Si vous utilisez cette sertisseuse à proximité de câbles sous tension, porter un équipement de protection individuelle.

La tête de sertissage de la NCR 120C-A22 est dotée d'un revêtement PVC deux couches. La couche intérieure du revêtement PVC est colorée en rouge et la couche extérieure en noir.



Avant chaque utilisation, vérifier que le revêtement noir de la tête de l'outil n'est pas endommagé ou usé. En cas de constatation de dommages, si le revêtement rouge est visible et/ou si le symbole de risque d'écrasement ou de choc électrique n'est plus lisible, ne pas utiliser la sertisseuse et contacter le S.A.V. **Hilti**.

3.5 Affichage de l'état des accus Li-Ion

L'état de charge de l'accu Li-Ion ainsi que les dysfonctionnements du produit sont signalés par le biais de l'affichage de l'accu Li-Ion. L'état de charge de l'accu Li-Ion peut être visualisé en appuyant légèrement sur l'un des deux boutons de déverrouillage.

État	Signification
4 LED allumées.	État de charge : 75 % à 100 %
3 LED allumées.	État de charge : 50 % à 75 %
2 LED allumées.	État de charge : 25 % à 50 %
1 LED allumée.	État de charge : 10 % à 25 %
1 LED clignote.	État de charge : < 10 %



Il n'est pas possible d'interroger l'indicateur de l'état de charge lorsque le variateur électronique de vitesse est actionné et jusqu'à 5 secondes après avoir relâché le variateur électronique de vitesse. Si les LED de l'affichage de l'accu clignotent, se reporter au chapitre Aide au dépannage.

3.6 Éléments livrés

Sertisseuse, mode d'emploi.

D'autres produits système pour votre produit peuvent être trouvés dans votre **Hilti Store** ou à l'adresse : **www.hilti.group**

3.7 Sélection des inserts de sertissage

Les tableaux de sélection des inserts de sertissage se trouvent en fin de manuel.



4 Caractéristiques techniques

Tension de référence	21,6 V
Poids (accu inclus) B228.0	7,5 kg (16,5 lb)
Temps de sertissage	8 s ... 9 s
capacité de serrage max. admissible	<ul style="list-style-type: none"> • 750 MCM (400 mm²) Cu • 750 MCM (400 mm²) Al
Force de sertissage max.	120 kN (27.000 lb _f)
Température de stockage	-20 °C ... 70 °C (-4 °F ... 158 °F)
Température de service en cours de service	-17 °C ... 60 °C (1 °F ... 140 °F)

4.1 Batterie

Tension nominale de l'accu	21,6 V
Température ambiante	-10 °C ... 60 °C (14 °F ... 140 °F)
Température de stockage	-20 °C ... 40 °C (-4 °F ... 104 °F)
Température de l'accu au début de la charge	-10 °C ... 45 °C (14 °F ... 113 °F)

5 Utilisation

5.1 Préparatifs

AVERTISSEMENT

Risque de blessures du fait d'une mise en marche inopinée !

- ▶ Avant d'insérer l'accu, s'assurer que le produit correspondant est bien sur arrêt.
- ▶ Retirer le bloc-accu, avant d'effectuer des réglages sur l'appareil ou de changer les accessoires.

AVERTISSEMENT

Risque de blessures dû à des mors mal réglés ! Des mors mal réglés peuvent être projetés et causer des blessures.

- ▶ Avant et pendant le sertissage, s'assurer que les mors sont correctement réglés.

ATTENTION

Risque de blessures ! L'outil amovible peut être brûlant et / ou présenter des arêtes vives.

- ▶ Porter des gants de protection pour changer d'outil amovible.
- ▶ Ne jamais déposer un outil amovible chaud sur un support inflammable.

Bien respecter les consignes de sécurité et les avertissements de la présente documentation ainsi que celles figurant sur le produit.

5.2 Recharge de l'accu

1. Avant de commencer la charge, lire le mode d'emploi du chargeur.
2. Veiller à ce que les contacts de l'accu et du chargeur sont propres et secs.
3. Charger l'accu à l'aide d'un chargeur homologué. → Page 18



5.3 Introduction de l'accu

AVERTISSEMENT

Risque de blessures du fait d'un court-circuit ou de la chute de l'accu !

- ▶ Avant d'insérer l'accu dans l'appareil, s'assurer que les contacts de l'accu et les contacts sur le produit sont exempts de corps étrangers.
- ▶ S'assurer que l'accu s'encliquette toujours correctement.

1. L'accu doit être entièrement chargé avant la première mise en service.
2. Introduire l'accu dans le produit jusqu'à ce qu'il s'enclenche de manière audible.
3. Vérifier que l'accu est bien en place.

5.4 Retrait de l'accu


1. Appuyer sur les boutons de déverrouillage de l'accu.
2. Retirer l'accu hors de l'appareil.

5.5 Mise en place de l'insert de sertissage 2


AVERTISSEMENT

Risque de blessures ! Mise en marche inopinée du produit.

- ▶ Enlever l'accu avant d'introduire / remplacer / retirer les inserts de sertissage.

 Ne jamais actionner la sertisseuse sans insert de sertissage !

1. Enlever l'accu et choisir l'insert de sertissage approprié.
2. Mettre en place les inserts de sertissage en veillant à ce qu'ils s'encliquettent.
3. Tourner la tête de sertissage dans la position de travail souhaitée.

 À l'état hors pression, la tête de sertissage est nettement plus facile à tourner.

5.6 Retrait de l'insert de sertissage 3

AVERTISSEMENT

Risque de blessures ! Mise en marche inopinée du produit.

- ▶ Enlever l'accu avant d'introduire / remplacer / retirer les inserts de sertissage.


1. Enlever l'accu, tourner la tête de sertissage dans la position initiale.
2. Appuyer sur les boutons de verrouillage et sortir les inserts de sertissage.

5.7 Sécurité anti-chute

AVERTISSEMENT

Risque de blessures en cas de chute de l'outil et/ou des accessoires !

- ▶ Utiliser uniquement la longue porte-outil **Hilti** recommandée pour votre produit.
- ▶ Contrôler l'état du point de fixation de la longue porte-outil avant chaque utilisation.

 Respecter les directives nationales en vigueur pour les travaux en hauteur.

Comme protection anti-chute pour ce produit, utiliser exclusivement la longue porte-outil **Hilti** #2261971.



- ▶ Fixer la longue porte-outil au produit avec la boucle, comme illustré. Vérifier qu'elle tient bien.
- ▶ Fixer le mousqueton à une structure porteuse. Vérifier que le mousqueton tient bien.



Respecter le mode d'emploi de la longue porte-outil Hilti.



5.8 Faire le sertissage



DANGER

Risque d'électrocution ! Travailler dans des conditions extérieures défavorables peut provoquer des chocs électriques et/ou des courts-circuits.

- ▶ Ne jamais travailler sur câbles sous tension pendant les orages.
- ▶ Interrompre immédiatement le travail si les conditions météorologiques affectent les propriétés de l'isolation, la visibilité ou les mouvements des travailleurs.



AVERTISSEMENT

Danger ! Risque d'incendie à cause d'un défaut de sertissage.

- ▶ Utiliser uniquement des cosses de câble et câbles assortis avec les inserts de sertissage correspondants. Si tel n'est pas le cas, il y a risque de défaut de sertissage.
- ▶ Faire attention au signal sonore et surveiller le recul du piston. Si le signal sonore est continu et/ou que le piston ne recule pas, il y a défaut de sertissage.



AVERTISSEMENT

Risque de blessures dues à de l'huile s'échappant sous haute pression ! De l'huile s'échappant sous haute pression peut entraîner des blessures cutanées et oculaires.

- ▶ Ne pas utiliser la sertisseuse en cas d'endommagements visibles.
- ▶ Ne pas utiliser la sertisseuse en cas de sortie d'huile.
- ▶ Vérifier que le piston se rétracte après chaque sertissage.
- ▶ Si le piston ne se rétracte pas après le sertissage, actionner le bouton de rétraction pour le retour manuel.



AVERTISSEMENT

Risque de blessures entraînées par des projections d'éclats de matériau ! Les éclats de matière peuvent entraîner des blessures corporelles et aux yeux.

- ▶ Porter des lunettes et gants de protection.
- ▶ Utiliser du matériel de jonction approprié avec les inserts de sertissage corrects.
- ▶ Avant et pendant le sertissage, s'assurer que les mors sont correctement réglés.



ATTENTION

Court-circuit dû à une arête ! Un mauvais sertissage peut entraîner la formation d'une arête, ce qui peut causer un court-circuit/la formation d'un arc électrique.

- ▶ Utiliser l'insert de sertissage correct.
- ▶ Utiliser du matériel de jonction approprié.
- ▶ Éliminer les arêtes qui se sont formées pendant le sertissage.

1. Poser le matériel de jonction dans la pince de serrage ouverte.



Par temps froids, l'huile hydraulique peut s'épaissir et ralentir l'opération de sertissage. Réaliser 5 à 10 opérations de sertissage à vide pour réchauffer l'appareil à sertir.

2. Actionner le variateur électronique de vitesse.
3. Maintenir le variateur électronique de vitesse enfoncé jusqu'au recul du piston.



4. Recommencer si nécessaire l'opération de sertissage en commençant à A dans le sens de la flèche B et en respectant les indications des tableaux.

6 Nettoyage et entretien

AVERTISSEMENT

Risque de blessures lorsque l'accu est inséré !

- ▶ Toujours retirer l'accu avant tous travaux de nettoyage et d'entretien !
-

Entretien du produit


- Éliminer avec précaution les saletés récalcitrantes.
- Le cas échéant, nettoyer soigneusement les ouïes d'aération à l'aide d'une brosse sèche et douce.
- Nettoyer le carter de l'appareil uniquement avec un chiffon légèrement humide. Ne pas utiliser de nettoyeurs à base de silicone car ceci pourrait attaquer les pièces en plastique.
- Utiliser un chiffon propre et sec pour nettoyer les contacts du produit.

Entretien des accus Li-ion

- Ne jamais utiliser un accu dont les ouïes d'aération sont bouchées. Nettoyer soigneusement les ouïes d'aération à l'aide d'une brosse sèche et douce.
- Éviter d'exposer inutilement l'accu à la poussière ou à la saleté. Ne jamais exposer l'accu à une forte humidité (par exemple en l'immergeant dans de l'eau ou en le laissant sous la pluie).
Si l'accu a été trempé, le traiter comme un accu endommagé. L'isoler dans un récipient ininflammable et s'adresser au S.A.V. **Hilti**.
- Veiller à ce que l'accu soit toujours exempt de traces de graisse et d'huile étrangères. Ne pas laisser de la poussière ou de la saleté s'accumuler inutilement sur l'accu. Nettoyer l'accu avec une brosse sèche et douce ou un chiffon propre et sec. Ne pas utiliser de nettoyeurs à base de silicone car ceci pourrait attaquer les pièces en plastique.
Ne pas toucher les contacts de l'accu et ne pas enlever la graisse appliquée en usine sur les contacts.
- Nettoyer le carter de l'appareil uniquement avec un chiffon légèrement humide. Ne pas utiliser de nettoyeurs à base de silicone car ceci pourrait attaquer les pièces en plastique.

Entretien

- Vérifier régulièrement qu'aucune pièce visible n'est endommagée et que les organes de commande sont parfaitement opérationnels.
 - Ne pas utiliser le produit en cas d'endommagements et/ou de dysfonctionnements. Faire immédiatement réparer le produit par le S.A.V. **Hilti**.
 - Après des travaux de nettoyage et d'entretien, vérifier si tous les équipements de protection sont bien en place et fonctionnent parfaitement.
-

-  Pour une utilisation en toute sécurité, utiliser uniquement des pièces de rechange et consommables d'origine. Vous trouverez les pièces de rechange, consommables et accessoires autorisés par **Hilti** convenant pour votre produit dans le centre **Hilti Store** ou sous : www.hilti.group
-

7 Transport et stockage des outils sur accu et des accus

Transport

ATTENTION

Mise en marche inopinée lors du transport !

- ▶ Toujours retirer les accus avant de transporter les produits !
- ▶ Retirer le ou les accus.
- ▶ Ne jamais transporter les accus en vrac. Pendant le transport, les accus doivent être protégés des vibrations et chocs excessifs, isolés de tout matériau conducteur ou autre accu, pour éviter qu'ils n'entrent en contact avec d'autres pôles de batterie et qu'ils provoquent un court-circuit. **Tenir compte des prescriptions locales pour le transport d'accus.**
- ▶ Ne pas envoyer les accus par la poste. S'adresser à un service d'expédition s'il faut envoyer des accus non endommagés.
- ▶ Contrôler l'état du produit et des accus avant chaque utilisation, ainsi qu'avant et après tout transport prolongé.



Stockage



AVERTISSEMENT

Endommagement involontaire du fait d'accus défectueux ou de chute d'accu !

- ▶ Toujours retirer les accus avant de stocker les produits !
-
- ▶ Stocker si possible le produit et les accus dans un endroit sec et frais. Respecter les valeurs limites de température indiquées dans les caractéristiques techniques.
 - ▶ Ne pas stocker les accus sur le chargeur. Retirer toujours l'accu du chargeur après la charge.
 - ▶ Ne jamais stocker les accus exposés au soleil, sur des sources de chaleur ou derrière des vitres.
 - ▶ Stocker le produit et les accus à l'abri des enfants et des personnes non autorisées.
 - ▶ Contrôler l'état du produit et des accus avant chaque utilisation, ainsi qu'avant et après tout stockage prolongé.

8 Aide au dépannage

En cas de défaillances non énumérées dans ce tableau ou auxquelles il n'est pas possible de remédier sans aide, contacter le S.A.V. Hilti.

8.1 Sertisseuse pas en état de fonctionner

Défaillance	Causes possibles	Solution
Les LED sur l'accu n'indiquent rien.	L'accu n'est pas complètement encliqueté.	▶ Encliqueter l'accu d'un « double-clic ».
	Décharger l'accu.	▶ Remplacer l'accu et charger l'accu vide.
	Accu trop chaud ou trop froid.	▶ Laisser l'accu refroidir ou amener l'accu à la température ambiante.
1 LED clignote sur l'accu.	Décharger l'accu.	▶ Remplacer l'accu et charger l'accu vide.
	Accu trop chaud ou trop froid.	▶ Laisser l'accu refroidir ou amener l'accu à la température ambiante.
4 LED clignent sur l'accu.	Surcharge momentanée du produit.	▶ Laisser le produit refroidir.
LED rouge => Allumé en continu avec signal d'avertissement.	Problème technique.	▶ Probable erreur d'application ! Contacter le S.A.V. Hilti.
LED rouge => Bref clignotement avec signal d'avertissement.	L'état de charge de l'accu est trop faible pour pouvoir mener à bien une application complète.	▶ Remplacer l'accu et charger l'accu vide.
LED rouge => Allumé brièvement sans signal d'avertissement.	Surchauffe du produit.	▶ Laisser le produit refroidir.

8.2 Sertisseuse en état de fonctionner

Défaillance	Causes possibles	Solution
L'accu se vide plus rapidement que d'habitude.	Température ambiante très basse.	▶ Laisser l'accu se réchauffer lentement à la température ambiante.
L'accu ne s'encliquette pas avec un « double-clic » audible.	Ergots d'encliquetage encrassés sur l'accu.	▶ Nettoyer les ergots d'encliquetage et réencliqueter l'accu dans son logement.
LED rouge => Long clignotement avec signal d'avertissement.	Pression d'appui non atteinte (erreur d'application).	▶ Veiller au bon fonctionnement et contrôler au besoin le sertissage.



Défaillance	Causes possibles	Solution
LED rouge => Allumé en continu avec signal d'avertissement.	Problème technique.	► Probable erreur d'application ! Contacter le S.A.V. Hilti.

9 Recyclage

AVERTISSEMENT

Risque de blessures en cas d'élimination incorrecte ! Émanations possibles de gaz et de liquides nocives pour la santé.

- Ne pas envoyer ni expédier d'accus endommagés !
- Recouvrir les raccordements avec un matériau non conducteur pour éviter tout court-circuit.
- Éliminer les accus en veillant à ce qu'ils soient hors de la portée des enfants.
- Éliminer l'accu en le déposant auprès du **Hilti Store** local ou s'adresser à l'entreprise de collecte des déchets compétente.

Les produits **Hilti** sont fabriqués pour une grande partie en matériaux recyclables. Le recyclage présuppose un tri adéquat des matériaux. **Hilti** reprend les appareils usagés dans de nombreux pays en vue de leur recyclage. Consulter le service clients **Hilti** ou un conseiller commercial.



- Ne pas jeter les appareils électriques, électroniques et accus dans les ordures ménagères !

10 Informations complémentaires

Des informations complémentaires concernant l'utilisation, la technique, l'environnement et le recyclage sont disponibles sous le lien ci-dessous : qr.hilti.com/manual?id=2215655

Ce lien figure également à la fin de la documentation sous forme de code QR.

11 Garantie constructeur

- En cas de questions sur les conditions de garantie, veuillez vous adresser à votre partenaire **Hilti** local.

Manual de instrucciones original

1 Información sobre el manual de instrucciones

1.1 Acerca de este manual de instrucciones

- Lea detenidamente este manual de instrucciones antes de la puesta en servicio. Ello es imprescindible para un trabajo seguro y un manejo sin problemas.
- Observe las indicaciones y advertencias de seguridad en este manual de instrucciones y en el producto.
- Conserve este manual de instrucciones siempre junto con el producto y entregue el producto a otras personas siempre acompañado de este manual de instrucciones.

1.2 Explicación de símbolos

1.2.1 Avisos

Las advertencias de seguridad advierten de peligros derivados del manejo del producto. Se utilizan las siguientes palabras de peligro:

PELIGRO

PELIGRO !

- Término utilizado para un peligro inminente que puede ocasionar lesiones graves o incluso la muerte.



ADVERTENCIA

ADVERTENCIA !

- ▶ Término utilizado para un posible peligro que puede ocasionar lesiones graves o incluso la muerte.

PRECAUCIÓN

PRECAUCIÓN !

- ▶ Término utilizado para una posible situación peligrosa que puede ocasionar lesiones o daños materiales.

1.2.2 Símbolos en el manual de instrucciones

En este manual de instrucciones se utilizan los siguientes símbolos:

	Consulte el manual de instrucciones
	Indicaciones de uso y demás información de interés
	Manejo con materiales reutilizables
	No tire las herramientas eléctricas y las baterías junto con los desperdicios domésticos
	Hilti Batería de Ion-Litio
	Hilti Cargador

1.2.3 Símbolos en las figuras

En las figuras se utilizan los siguientes símbolos:

	Estos números hacen referencia a la figura correspondiente incluida al principio de este manual de instrucciones.
	La numeración describe el orden de los pasos de trabajo en la imagen y puede ser diferente de los pasos descritos en el texto.
	En la figura Vista general se utilizan números de posición y los números de la leyenda están explicados en el apartado Vista general del producto .
	Preste especial atención a este símbolo cuando utilice el producto.

1.3 Símbolos del producto

1.3.1 Símbolos en el producto

En el producto se pueden utilizar los siguientes símbolos:

	Peligro de aplastamiento.
	Peligro de descarga eléctrica.
	El producto permite la transferencia de datos inalámbrica, compatible con plataformas iOS y Android.
	Serie utilizada de baterías de Ion-Litio Hilti . Consulte las indicaciones recogidas en el capítulo Uso conforme a las prescripciones .
	Batería de Ion-Litio
	Nunca utilice la batería como herramienta de percusión.
	No deje que la batería se caiga. No utilice baterías que hayan recibido algún golpe ni que estén dañadas de alguna otra forma.
	Si está en el producto, significa que el organismo de certificación lo ha certificado para el mercado estadounidense y canadiense según las normas vigentes.



1.4 Información del producto

Los productos han sido diseñados para usuarios profesionales y solo personal autorizado y debidamente formado puede utilizarlos y llevar a cabo su mantenimiento y conservación. Este personal debe estar especialmente instruido en lo referente a los riesgos de uso. La utilización del producto y sus dispositivos auxiliares puede conllevar riesgos para el usuario en caso de manejarse de forma inadecuada por personal no cualificado o utilizarse para usos diferentes a los que están destinados.

La denominación del modelo y el número de serie están indicados en la placa de identificación.

- ▶ Escriba el número de serie en la siguiente tabla. Necesitará los datos del producto para realizar consultas a nuestros representantes o al Departamento de Servicio Técnico.

Datos del producto

Prensadora	NCR 120 PC-A22 NCR 120C-A22
Generación	01
N.º de serie	

2 Seguridad

2.1 Indicaciones generales de seguridad para herramientas eléctricas

ADVERTENCIA Lea con atención todas las indicaciones de seguridad, instrucciones, ilustraciones y datos técnicos correspondientes a esta herramienta eléctrica. La negligencia en el cumplimiento de las instrucciones que se describen a continuación podría provocar descargas eléctricas, incendios o lesiones graves.

Conservar todas las instrucciones e indicaciones de seguridad para futuras consultas.

El término «herramienta eléctrica» empleado en las indicaciones de seguridad se refiere a herramientas eléctricas portátiles, ya sea con cable de red o sin cable, en caso de ser accionadas por batería.

Seguridad en el puesto de trabajo

- ▶ **Mantenga su área de trabajo limpia y bien iluminada.** El desorden o una iluminación deficiente de las zonas de trabajo pueden provocar accidentes.
- ▶ **No utilice la herramienta eléctrica en un entorno con peligro de explosión en el que se encuentren líquidos, gases o polvos inflamables.** Las herramientas eléctricas producen chispas que pueden llegar a inflamar los materiales en polvo o vapores.
- ▶ **Mantenga alejados a los niños y otras personas de su puesto de trabajo al emplear la herramienta eléctrica.** Una distracción le puede hacer perder el control sobre la herramienta.

Seguridad eléctrica

- ▶ **El enchufe de la herramienta eléctrica debe corresponder a la toma de corriente utilizada. No se deberá modificar el enchufe en forma alguna. No utilice enchufes adaptadores para las herramientas eléctricas con puesta a tierra.** Los enchufes sin modificar adecuados a las respectivas tomas de corriente reducen el riesgo de descarga eléctrica.
- ▶ **Evite el contacto corporal con superficies que tengan puesta a tierra, como pueden ser tubos, calefacciones, cocinas y frigoríficos.** El riesgo a quedar expuesto a una sacudida eléctrica es mayor si su cuerpo tiene contacto con tierra.
- ▶ **No exponga las herramientas eléctricas a la lluvia y evite que penetren líquidos en su interior.** El riesgo de recibir descargas eléctricas aumenta si penetra agua en la herramienta eléctrica.
- ▶ **No utilice el cable de conexión para transportar o colgar la herramienta eléctrica ni tire de él para extraer el enchufe de la toma de corriente. Mantenga el cable de conexión alejado de fuentes de calor, aceite, aristas afiladas o piezas móviles.** Los cables de conexión dañados o enredados pueden provocar descargas eléctricas.
- ▶ **Cuando trabaje al aire libre con una herramienta eléctrica, utilice exclusivamente un alargador adecuado para exteriores.** La utilización de un alargador adecuado para su uso en exteriores evita el riesgo de una descarga eléctrica.
- ▶ **Cuando no pueda evitarse el uso de la herramienta eléctrica en un entorno húmedo, utilice un interruptor de corriente de defecto.** La utilización de un interruptor de corriente de defecto evita el riesgo de una descarga eléctrica.

Seguridad de las personas

- ▶ **Permanezca atento, preste atención durante el trabajo y utilice la herramienta eléctrica con prudencia. No utilice una herramienta eléctrica si está cansado, ni tampoco después de haber consumido alcohol, drogas o medicamentos.** Un momento de descuido al utilizar la herramienta eléctrica podría producir graves lesiones.



- ▶ **Utilice el equipo de seguridad personal adecuado y lleve siempre gafas protectoras.** El riesgo de lesiones se reduce considerablemente si, según el tipo y la aplicación de la herramienta eléctrica empleada, se utiliza un equipo de seguridad personal adecuado como una mascarilla antipolvo, zapatos de seguridad con suela antideslizante, casco de protección o protección para los oídos.
- ▶ **Evite una puesta en servicio fortuita de la herramienta. Asegúrese de que la herramienta eléctrica está apagada antes de alzarla, transportarla, conectarla a la toma de corriente o insertar la batería.** Si transporta la herramienta eléctrica sujetándola por el interruptor de conexión/desconexión o si introduce el enchufe en la toma de corriente con la herramienta conectada, podría producirse un accidente.
- ▶ **Retire las herramientas de ajuste o llaves fijas antes de conectar la herramienta eléctrica.** Una herramienta o llave colocada en una pieza giratoria puede producir lesiones al ponerse en funcionamiento.
- ▶ **Evite adoptar posturas forzadas. Procure que la postura sea estable y manténgase siempre en equilibrio.** De esta forma podrá controlar mejor la herramienta eléctrica en caso de presentarse una situación inesperada.
- ▶ **Utilice ropa adecuada. No utilice vestimenta amplia ni joyas. Mantenga su pelo, vestimenta y guantes alejados de las piezas móviles.** La vestimenta suelta, las joyas y el pelo largo se pueden enganchar con las piezas en movimiento.
- ▶ **Siempre que sea posible montar equipos de aspiración o captación de polvo, asegúrese de que están conectados y de que se utilizan correctamente.** El uso de un sistema de aspiración de polvo reduce los riesgos derivados del polvo.
- ▶ **No se crea a salvo de cualquier riesgo ni pase por alto ninguna de las normas de seguridad relativas a las herramientas eléctricas, aun cuando esté familiarizado con la herramienta eléctrica y tenga larga experiencia en su uso.** Una actuación negligente puede provocar lesiones graves en cuestión de segundos.

Uso y manejo de la herramienta eléctrica

- ▶ **No sobrecargue la herramienta. Utilice la herramienta eléctrica adecuada para el trabajo que se dispone a realizar.** Con la herramienta eléctrica apropiada podrá trabajar mejor y de modo más seguro dentro del margen de potencia indicado.
- ▶ **No utilice herramientas eléctricas con el interruptor defectuoso.** Las herramientas eléctricas que no se puedan conectar o desconectar son peligrosas y deben repararse.
- ▶ **Extraiga el enchufe de la toma de corriente o retire la batería extraíble antes de efectuar cualquier ajuste en la herramienta, cambiar accesorios o en caso de no utilizar la herramienta durante un tiempo prolongado.** Esta medida preventiva evita el riesgo de arranque accidental de la herramienta eléctrica.
- ▶ **Guarde las herramientas eléctricas que no utilice fuera del alcance de los niños. No permita utilizar la herramienta a ninguna persona que no esté familiarizada con ella o que no haya leído este manual de instrucciones.** Las herramientas eléctricas utilizadas por personas inexpertas son peligrosas.
- ▶ **Cuide su herramienta eléctrica y los accesorios adecuadamente. Compruebe si las piezas móviles de la herramienta funcionan correctamente y sin atascarse, y si existen piezas rotas o deterioradas que pudieran afectar al funcionamiento de la herramienta eléctrica. Encargue la reparación de las piezas defectuosas antes de usar la herramienta eléctrica.** Muchos accidentes son consecuencia de un mantenimiento inadecuado de la herramienta eléctrica.
- ▶ **Mantenga los útiles limpios y afilados.** Las herramientas de corte bien cuidadas y con aristas afiladas se atascan menos y se guían con más facilidad.
- ▶ **Utilice la herramienta eléctrica, los accesorios, útiles de inserción, etc., de acuerdo con estas instrucciones. Para ello, tenga en cuenta las condiciones de trabajo y la tarea que se va a realizar.** El uso de herramientas eléctricas para trabajos diferentes de aquellos para los que han sido concebidas puede resultar peligroso.
- ▶ **Mantenga las empuñaduras y las superficies de contacto secas, limpias y sin residuos de aceite o grasa.** Las empuñaduras y superficies de contacto resbaladizas impiden manejar y controlar la herramienta eléctrica con seguridad en situaciones imprevistas.

Uso y manejo de la herramienta de batería

- ▶ **Cargue las baterías únicamente con los cargadores recomendados por el fabricante.** Existe riesgo de incendio al intentar cargar baterías de un tipo diferente al previsto para el cargador.
- ▶ **Utilice únicamente las baterías previstas para la herramienta eléctrica.** El uso de otro tipo de baterías puede provocar daños e incluso incendios.
- ▶ **Si no utiliza la batería, guárdela separada de clips, monedas, llaves, clavos, tornillos y demás objetos metálicos que pudieran puentear sus contactos.** El cortocircuito de los contactos de la batería puede causar quemaduras o incendios.



- ▶ **La utilización inadecuada de la batería puede provocar fugas de líquido. Evite el contacto con este líquido. En caso de contacto accidental, enjuague el área afectada con abundante agua. En caso de contacto con los ojos, acuda además inmediatamente a un médico.** El líquido de la batería puede irritar la piel o producir quemaduras.
- ▶ **No utilice baterías dañadas o modificadas.** Una batería dañada o modificada puede tener un comportamiento imprevisible y provocar incendios, explosiones o riesgo de lesiones.
- ▶ **No exponga la batería al fuego o a temperaturas muy elevadas.** El fuego o las temperaturas superiores a 130 °C (265 °F) pueden provocar una explosión.
- ▶ **Siga todas las instrucciones relativas a la carga y no cargue nunca la batería o la herramienta de batería excediendo el rango de temperatura indicado en el manual de instrucciones.** Una carga incorrecta o fuera del rango de temperatura permitido puede destruir la batería y aumentar el riesgo de incendio.

Servicio Técnico

- ▶ **Solicite que un profesional lleve a cabo la reparación de su herramienta eléctrica y que utilice exclusivamente piezas de repuesto originales.** Solamente así se garantiza la seguridad de la herramienta.
- ▶ **No realice nunca el mantenimiento de baterías dañadas.** Cualquier mantenimiento de las baterías debe llevarlo a cabo el fabricante o un centro del Servicio de Atención al Cliente autorizado.

2.2 Indicaciones de seguridad adicionales de la herramienta de prensa

Seguridad al trabajar cerca de instalaciones eléctricas

Antes de iniciar cualquier trabajo, debe llevarse a cabo una evaluación de los riesgos; y deben tomarse las medidas de protección necesarias.

El personal que trabaje cerca de instalaciones eléctricas debe estar informado acerca de los requisitos de salud y las normas de seguridad y de empresa que deben aplicarse en la zona de trabajo

Se distingue entre tres métodos de trabajo: trabajo sin tensión, trabajo bajo tensión y trabajo cerca de partes que se encuentran bajo tensión. Los tres métodos requieren medidas de seguridad efectivas contra descargas eléctricas y contra los efectos de cortocircuitos y arcos eléctricos. Para más información, véase la norma EN 50110 y otros requisitos y procedimientos nacionales. Debe haberse comprobado si todos los procedimientos y herramientas seleccionados son idóneos para la instalación en la que se va a trabajar.

- ▶ A la hora de realizar cualquier trabajo en instalaciones eléctricas, tenga en cuenta las leyes y regulaciones internacionales, nacionales y locales vigentes, como la EN 50110.

Seguridad de las personas

- ▶ Observe las normas e indicaciones de seguridad vigentes específicas del país relativas al manejo de prensadoras y todos los trabajos en, con o cerca de partes y cables conductores de tensión.
- ▶ El personal que trabaje cerca de cables conductores debe recibir formación periódicamente.
- ▶ Utilice la prensadora solo si está en perfecto estado técnico.
- ▶ No efectúe nunca manipulaciones o modificaciones en la prensadora.
- ▶ Si advierte que sale aceite, deje de utilizar la herramienta y póngase en contacto con el Servicio Técnico de Hilti. Elimine inmediatamente el aceite derramado.
- ▶ Asegúrese de que el perno de bloqueo esté completamente introducido y bien encajado.
- ▶ Durante el prensado, asegúrese siempre de que se deja una distancia suficiente entre el cabezal de prensado y la mano/el dedo.
- ▶ Conecte la prensadora una vez se encuentre en la posición de trabajo.
- ▶ Tenga especial precaución al trabajar en cables que se encuentran sometidos a tensión mecánica.
- ▶ Sujete la prensadora siempre con ambas manos por las asas previstas para tal fin.
- ▶ Antes de cada uso, compruebe si el recubrimiento negro del cabezal de la herramienta presenta daños o desgaste. Si aprecia daños, el revestimiento rojo es visible o los símbolos de advertencia de peligro de aplastamiento o de descarga eléctrica ya no son legibles, no utilice la prensadora y póngase en contacto con el Servicio Técnico de Hilti.
- ▶ No monte ganchos para cinturón en esta herramienta.
- ▶ - Riesgo de lesiones en caso de caída de herramientas o accesorios. Antes de iniciar el trabajo, compruebe que los accesorios montados estén bien fijados.
- ▶ No mire directamente hacia la luz (LED) ni dirija la luz a la cara de otras personas. Existe riesgo de deslumbramiento y sus ojos podrían resultar dañados.
- ▶ Mantenga el seguro anticaidas y la cuerda de amarre limpios y secos.



Seguridad eléctrica

- ▶ Antes de utilizar la prensadora, deben dejarse sin tensión todos los componentes activos (conductores de corriente) que se encuentren en el entorno de trabajo del usuario. Si esto no fuera posible, deberán tomarse las medidas de protección oportunas aplicables en su país para trabajos cerca de partes o cables conductores.
- ▶ Antes de utilizar la prensadora, asegúrese de que no haya cables eléctricos o tuberías de gas o agua ocultos en la zona de trabajo. Las piezas externas metálicas o conductoras de la electricidad pueden provocar una descarga eléctrica si dañan accidentalmente cables eléctricos o tuberías de gas o agua.
- ▶ No realice ningún prensado en componentes que estén bajo tensión. La prensadora se considera no aislada y, en consecuencia, debe utilizarse conjuntamente con un equipo de protección individual (guantes, calzado y ropa de protección, etc.) que sea adecuado para protegerle a usted y a las personas que se encuentren cerca de usted. Debe garantizarse un aislamiento suficiente para trabajar cerca de cables conductores, por ejemplo, utilizando material aislante resistente o dejando una distancia suficiente para el aire. La prensadora es adecuada, entre otras cosas, para utilizarse en plataformas o plataformas elevadoras aislantes.
- ▶ Para utilizar la prensadora cerca de cables conductores, el usuario debe:
 - ▶ Tener en cuenta todos los potenciales (tensiones) diferentes.
 - ▶ Asegurarse de que todas las medidas y herramientas elegidas son adecuadas para la aplicación.
 - ▶ Contar con formación para trabajos en cables conductores.
 - ▶ Llevar un equipo de protección individual adecuado.
 - ▶ Utilizar ropa ceñida al cuerpo adecuada.
 - ▶ Quitarse accesorios metálicos, como joyas.

Manipulación y utilización segura de las herramientas eléctricas

- ▶ Después de aprox. 50 operaciones consecutivas de prensado, desconecte la herramienta eléctrica y déjela enfriar durante aprox. 15 minutos. . Un sobrecalentamiento puede producir daños en la prensadora.
- ▶ Almacene la prensadora en un lugar seco y fuera del alcance de niños o personas no autorizadas.

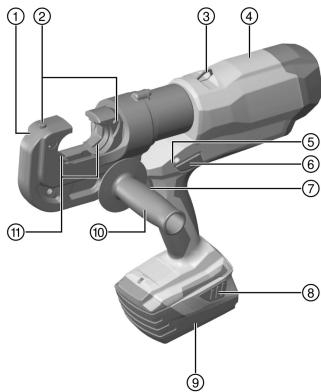
2.3 Manipulación y utilización segura de las baterías

- ▶ Tenga en cuenta las directivas especiales en materia de transporte, almacenamiento y manejo de las baterías de Ion-Litio.
- ▶ Mantenga las baterías alejadas de altas temperaturas, radiación solar directa y fuego.
- ▶ Las baterías no se deben destruir, comprimir, calentar por encima de 80 °C (176 °F) o quemar.
- ▶ No utilice ni cargue baterías que hayan recibido algún golpe, que hayan caído desde una altura superior a un metro o que estén dañadas de alguna otra forma. En este caso, póngase siempre en contacto con el **Hilti Servicio Técnico**.
- ▶ Si al tocar la batería detecta que está muy caliente, puede deberse a una avería en la misma. Coloque la batería en un lugar visible, no inflamable, a suficiente distancia de otros materiales inflamables. Deje que la batería se enfríe. Si, después de una hora, la herramienta sigue estando demasiado caliente para tocarla significa que está averiada. Póngase en contacto con el **Servicio Técnico de Hilti**.



3 Descripción

3.1 Vista general del producto



- ① Cabezal de prensado
- ② Botones para aflojar los útiles de prensado
- ③ Anillo de llave
- ④ Carcasa
- ⑤ Indicador de mantenimiento y errores (LED rojo)
- ⑥ Interruptor de reinicio para retroceso manual
- ⑦ Conmutador de control
- ⑧ Tecla de desbloqueo de la batería
- ⑨ Batería
- ⑩ Tipo de sujeción de la empuñadura (opcional)
- ⑪ Útil de prensado
- ⑫ LED blanco para iluminar el entorno de trabajo

3.2 Uso conforme a las prescripciones

El producto descrito es una crimpadora electrohidráulica alimentada por batería, sin aislamiento. Está diseñada para crimpar material de unión de cobre (Cu) o aluminio (Al).

Antes de empezar a trabajar, deben dejarse sin tensión todos los componentes activos (conductores de corriente) que se encuentren en el entorno de trabajo del usuario. Si esto no es posible, deben tomarse las correspondientes medidas de protección para trabajar cerca de componentes bajo tensión.

- Para este producto utilice únicamente las baterías de Ion-Litio de la serie B 22 de **Hilti**.
- Para estas baterías, utilice exclusivamente los cargadores suministrados por **Hilti**. Encontrará más información en la **Hilti Store** o en www.hilti.group

3.3 Posibles usos indebidos

- Este producto de guiado manual no debe fijarse ni utilizarse para aplicaciones estacionarias.

3.4 Cabezal de prensado revestido

NCR 120C-A22



PELIGRO

Peligro de muerte por corriente eléctrica. El contacto con cables conductores puede provocar lesiones corporales graves o incluso la muerte.

- ▶ La prensadora no está aislada. Si emplea esta prensadora cerca de cables conductores, utilice un equipo de protección individual.

El cabezal de prensado de NCR 120C-A22 está dotado de un revestimiento de PVC de dos capas. La capa interior del revestimiento de PVC es roja; la exterior, negra.



Antes de cada uso, compruebe si el recubrimiento negro del cabezal de la herramienta presenta daños o desgaste. Si aprecia daños, el revestimiento rojo es visible o los símbolos de advertencia de peligro de aplastamiento o de descarga eléctrica ya no son legibles, no utilice la prensadora y póngase en contacto con el Servicio Técnico de **Hilti**.

3.5 Indicador de la batería de Ion-Litio

El indicador de la batería de Ion-Litio informa sobre su estado de carga, así como sobre averías del producto. El estado de carga de la batería de Ion-Litio se visualiza pulsando una de las dos teclas de desbloqueo de la batería.



Estado	Significado
Los 4 LED encendidos.	Estado de carga: 75 % a 100 %
3 LED encendidos.	Estado de carga: 50 % a 75 %
2 LED encendidos.	Estado de carga: 25 % a 50 %
1 LED encendido.	Estado de carga: 10 % a 25 %
1 LED parpadea.	Estado de carga: < 10 %



Con el conmutador de control accionado y hasta 5 s después de soltarlo no es posible consultar el estado de carga. Si los LED del indicador de la batería parpadean, observe las indicaciones del capítulo «Ayuda en caso de averías».

3.6 Suministro

Prensadora, manual de instrucciones.

Encontrará otros productos del sistema autorizados para su producto en su **Hilti Store** o en Internet, en: www.hilti.group

3.7 Selección de los útiles de prensado

Al final del manual de instrucciones encontrará las tablas para elegir qué útiles de prensado se deben utilizar.

4 Datos técnicos

Tensión nominal	21,6 V
Peso (incluida batería) B228.0	7,5 kg (16,5 lb)
Tiempo de prensado	8 s ... 9 s
Máx. capacidad de prensado admisible	<ul style="list-style-type: none"> • 750 MCM (400 mm²) Cu • 750 MCM (400 mm²) Al
Fuerza de prensado máx.	120 kN (27.000 lb _f)
Temperatura de almacenamiento	-20 °C ... 70 °C (-4 °F ... 158 °F)
Temperatura ambiente en funcionamiento	-17 °C ... 60 °C (1 °F ... 140 °F)

4.1 Batería

Tensión de servicio de la batería	21,6 V
Temperatura ambiente	-10 °C ... 60 °C (14 °F ... 140 °F)
Temperatura de almacenamiento	-20 °C ... 40 °C (-4 °F ... 104 °F)
Temperatura de la batería al comenzar la carga	-10 °C ... 45 °C (14 °F ... 113 °F)



5 Manejo

5.1 Preparación del trabajo

ADVERTENCIA

Riesgo de lesiones por arranque involuntario.

- ▶ Antes de insertar la batería, asegúrese de que el producto correspondiente esté desconectado.
- ▶ Retire la batería antes de realizar ajustes en la herramienta o de cambiar accesorios.

ADVERTENCIA

Riesgo de lesiones por mordazas de prensa mal alineadas. Unas mordazas de prensa mal alineadas pueden salir despedidas como proyectiles y causar lesiones.

- ▶ Antes y durante el prensado asegúrese de que las mordazas de prensa están correctamente alineadas.

PRECAUCIÓN

Riesgo de lesiones. El útil de inserción puede estar caliente y/o ser afilado.

- ▶ Utilice guantes de protección para cambiar el útil de inserción.
- ▶ Si el útil de inserción está caliente, no lo coloque en ningún caso sobre bases que sean inflamables.

Respete las indicaciones de seguridad y las advertencias presentes en esta documentación y en el producto.

5.2 Carga de la batería

1. Antes de cargarla, lea el manual de instrucciones del cargador.
2. Asegúrese de que los contactos de la batería y del cargador estén limpios y secos.
3. Cargue la batería en un cargador autorizado. → página 30

5.3 Colocación de la batería

ADVERTENCIA

Riesgo de lesiones por cortocircuito o caída de la batería.

- ▶ Antes de insertar la batería, asegúrese de que los contactos de la batería y del producto estén libres de cuerpos extraños.
- ▶ Asegúrese de que la batería encaje siempre correctamente.

1. Cargue por completo la batería antes de la primera puesta en servicio.
2. Introduzca la batería en el producto hasta que encaje de forma audible.
3. Compruebe que la batería está bien colocada.

5.4 Extracción de la batería


1. Pulse las teclas de desbloqueo de la batería.
2. Extraiga la batería de la herramienta.

5.5 Inserción del útil de prensado

ADVERTENCIA

Riesgo de lesiones Arranque involuntario del producto.

- ▶ Extraiga la batería antes de insertar, cambiar o extraer los útiles de prensado.

 No accione nunca la prensadora sin útil de prensado.

1. Extraiga la batería y seleccione el útil de prensado adecuado.
2. Inserte los útiles de prensado hasta que encajen.



3. Gire el cabezal de prensado a la posición de trabajo deseada.



Estando el cabezal de prensado sin presión, puede girarse más fácilmente.

5.6 Extracción del útil de prensado 3



ADVERTENCIA

Riesgo de lesiones Arranque involuntario del producto.

- ▶ Extraiga la batería antes de insertar, cambiar o extraer los útiles de prensado.

1. Extraiga la batería y gire el cabezal de prensado a la posición inicial.
2. Pulse los botones de bloqueo y extraiga los útiles de prensado.

5.7 Protección frente a caídas



ADVERTENCIA

Riesgo de lesiones por caída de herramientas o accesorios.

- ▶ Utilice únicamente la cuerda de amarre para herramientas **Hilti** recomendada para su producto.
- ▶ Antes de cada uso, compruebe que el punto de fijación de la cuerda de amarre para herramientas no presente posibles daños.



Tenga en cuenta las directivas nacionales para trabajos en altura.

Para este producto, utilice únicamente como protección frente a caídas la cuerda de amarre para herramientas **Hilti** #2261971.

- ▶ Fije la cuerda de amarre para herramientas con la correa del producto como se muestra en la figura. Compruebe que quede fijada de forma segura.
- ▶ Fije el mosquetón a una estructura portante. Compruebe que el mosquetón quede fijado de forma segura.



Tenga en cuenta el manual de instrucciones de la cuerda de amarre para herramientas **Hilti**.

5.8 Ejecución de la operación de prensado (crimpado) 4



PELIGRO

¡Peligro de descarga eléctrica! Los trabajos en condiciones exteriores adversas puede provocar descargas eléctricas o cortocircuitos.

- ▶ Nunca trabaje en cables conductores si hay temporal.
- ▶ Interrumpa el trabajo de inmediato si las condiciones climáticas afectan a las propiedades aislantes, la visibilidad o el movimiento de los trabajadores.



ADVERTENCIA

¡Peligro! Peligro de incendio por un prensado incorrecto.

- ▶ Utilice los cables y terminales de cable con los útiles de prensado correspondientes. De lo contrario puede producirse un prensado incorrecto.
- ▶ Preste atención a la señal acústica y al retroceso del pistón. Si no se produce la señal acústica o el pistón no retrocede, significa que el prensado es incorrecto.



⚠ ADVERTENCIA

Riesgo de lesiones por aceite que sale a alta presión. El aceite que sale a alta presión puede provocar lesiones en la piel y los ojos.

- ▶ No utilice la prensadora si presenta daños visibles.
- ▶ No utilice la prensadora si sale aceite.
- ▶ Asegúrese de que el pistón se retrae después de cada prensado.
- ▶ Si el pistón no se retrae después del prensado, accione el interruptor de reinicio para retroceso manual.

⚠ ADVERTENCIA

Riesgo de lesiones por la proyección de piezas. El material que sale despedido puede ocasionar lesiones en los ojos y el cuerpo.

- ▶ Lleve gafas y guantes de protección.
- ▶ Utilice el material de unión adecuado con los útiles de prensado correctos.
- ▶ Antes y durante el prensado asegúrese de que las mordazas de prensa están correctamente alineadas.

⚠ PRECAUCIÓN

Cortocircuito por rebabas. Un prensado incorrecto puede provocar la formación de rebabas, que pueden ocasionar un cortocircuito o la formación de un arco eléctrico.

- ▶ Utilice el útil de prensado correcto.
- ▶ Utilice el material de unión adecuado.
- ▶ Elimine las rebabas que se hayan producido durante el prensado.

1. Introduzca el material de unión en la mordaza de prensa abierta.



El aceite hidráulico puede espesarse en condiciones de frío y ralentizar la operación de crimpado. Realice de 5 a 10 operaciones de crimpado en vacío para calentar la crimpadora.

2. Accione el conmutador de control.
3. Mantenga pulsado el conmutador de control hasta que el pistón haya retrocedido.
4. Dado el caso, repita la operación de prensado empezando con A en el sentido de la flecha B según el número de prensados indicado en las tablas.

6 Cuidado y mantenimiento

⚠ ADVERTENCIA

Riesgo de lesiones con la batería colocada !

- ▶ Extraiga siempre la batería antes de llevar a cabo tareas de cuidado y mantenimiento.

Cuidado del producto

- Elimine con precaución la suciedad fuertemente adherida.
- Las rejillas de ventilación, si las hay, deben limpiarse con cuidadosamente con un cepillo seco y suave.
- Limpie la carcasa solo con un paño ligeramente humedecido. No utilice productos de limpieza que contengan silicona, ya que podrían dañar las piezas de plástico.
- Utilice un paño limpio y seco para limpiar los contactos del producto.

Cuidado de las baterías de Ion-Litio

- No utilice nunca una batería con las rejillas de ventilación obstruidas. Limpie cuidadosamente las rejillas de ventilación con un cepillo seco y suave.
- Evite la exposición innecesaria de la batería al polvo o la suciedad. No esponga nunca la batería a altos niveles de humedad (por ejemplo, sumergiéndola en agua o dejándola bajo la lluvia). Si penetra agua en la batería, trátela como una batería dañada. Aíslela en un recipiente no inflamable y póngase en contacto con el Servicio Técnico de **Hilti**.
- Mantenga la batería limpia de aceite o grasa. No permita la acumulación innecesaria de polvo o suciedad en la batería. Limpie la batería con un cepillo seco y suave o con un paño limpio y seco. No utilice productos de limpieza que contengan silicona, ya que podrían dañar las piezas de plástico. No toque los contactos de la batería y no elimine de los contactos la grasa aplicada de fábrica.
- Limpie la carcasa solo con un paño ligeramente humedecido. No utilice productos de limpieza que contengan silicona, ya que podrían afectar a las piezas de plástico.



Mantenimiento

- Compruebe con regularidad que las piezas visibles no estén dañadas y los elementos de manejo funcionen correctamente.
- No utilice el producto si presenta daños o fallos que afecten al funcionamiento. Encargue inmediatamente la reparación del producto al Servicio Técnico de **Hilti**.
- Tras las tareas de cuidado y mantenimiento, coloque todos los dispositivos de protección y asegúrese de que funcionen correctamente.



Para garantizar un correcto funcionamiento, utilice exclusivamente piezas de repuesto y consumibles originales. Las piezas de repuesto, los consumibles y los accesorios autorizados por **Hilti** se pueden consultar en su **Hilti Store** o en: www.hilti.group

7 Transporte y almacenamiento de las baterías y sus herramientas

Transporte

PRECAUCIÓN

Arranque involuntario en el transporte !

- ▶ Transporte sus productos siempre sin batería.
- ▶ Extraiga la(s) batería(s).
- ▶ Nunca transporte las baterías sin embalaje. Durante el transporte, las baterías deben estar protegidas frente a vibraciones y golpes excesivos y aisladas de todo material conductor y de otras baterías para que no entren en contacto con los polos de otras baterías y causen un cortocircuito. **Tenga en cuenta las normativas locales sobre el transporte de baterías.**
- ▶ Las baterías no deben enviarse por correo. Diríjase a una empresa de transporte si quiere enviar baterías no dañadas.
- ▶ Compruebe si el producto o las baterías están dañados antes de cada uso y antes y después de un transporte prolongado.

Almacenamiento

ADVERTENCIA

Daños imprevistos debido a una batería defectuosa o agotada !

- ▶ Guarde su productos siempre sin batería.
- ▶ Guarde el producto y las baterías en un lugar fresco y seco. Tenga en cuenta los valores límite de temperatura que figuran en los datos técnicos.
- ▶ No almacene las baterías en el cargador. Extraiga siempre la batería del cargador después del proceso de carga.
- ▶ No guarde nunca las baterías en un lugar expuesto al sol, a fuentes de calor o detrás de un cristal.
- ▶ Guarde el producto y las baterías fuera del alcance de niños y personas no autorizadas.
- ▶ Compruebe si el producto o las baterías están dañados antes de cada uso y antes y después de un almacenamiento prolongado.

8 Ayuda en caso de averías

Si se producen averías que no estén incluidas en esta tabla o que no pueda solucionar usted, diríjase al Servicio Técnico de **Hilti**.

8.1 La prensadora no está lista para funcionar.

Anomalía	Posible causa	Solución
Los LED de la batería no indican nada.	La batería no se ha insertado completamente.	▶ Encaje la batería hasta que note un doble clic.
	La batería está descargada.	▶ Cambie la batería y recargue la batería vacía.
	La batería está demasiado caliente o fría.	▶ Deje enfriar la batería o espere a que alcance la temperatura de la estancia.



Anomalía	Posible causa	Solución
Parpadea 1 LED de la batería.	La batería está descargada.	► Cambie la batería y recargue la batería vacía.
	La batería está demasiado caliente o fría.	► Deje enfriar la batería o espere a que alcance la temperatura de la estancia.
Parpadean los 4 LED de la batería.	Producto brevemente sobrecargado.	► Deje enfriar el producto.
LED rojo => encendido permanentemente con tono de advertencia.	Problema técnico.	► ¡Posible aplicación incorrecta! Póngase en contacto con el servicio técnico de Hilti.
LED rojo => parpadeo corto con tono de advertencia.	El estado de carga de la batería es demasiado bajo para realizar una aplicación completa.	► Cambie la batería y recargue la batería vacía.
LED rojo => se ilumina brevemente sin tono de advertencia.	Producto sobrecalentado.	► Deje enfriar el producto.

8.2 La prensadora está lista para funcionar.

Anomalía	Posible causa	Solución
La batería se descarga con mayor rapidez que de costumbre.	Temperatura ambiente demasiado baja.	► Deje que la batería se caliente poco a poco hasta alcanzar la temperatura ambiente.
La batería no encaja con un doble clic audible.	Suciedad en las lengüetas de la batería.	► Limpie las lengüetas y vuelva a colocar la batería.
LED rojo => parpadeo largo con tono de advertencia.	No se alcanza la presión de compactación (error de aplicación).	► Preste atención a la aplicación correcta y, en caso necesario, compruebe el prensado.
LED rojo => encendido permanentemente con tono de advertencia.	Problema técnico.	► ¡Posible aplicación incorrecta! Póngase en contacto con el servicio técnico de Hilti.

9 Reciclaje

ADVERTENCIA

Riesgo de lesiones por un reciclaje indebido. Riesgo para la salud debido a escapes de gases o líquidos.

- No envíe baterías dañadas bajo ningún concepto.
- Cubra las conexiones con un material no conductor para evitar cortocircuitos.
- Deshágase de las baterías de tal forma que no terminen en manos de niños.
- Elimine la batería en su **Hilti Store** o diríjase a su empresa de desechos.

Los productos **Hilti** están fabricados en su mayor parte con materiales reutilizables. La condición para dicha reutilización es una separación adecuada de los materiales. En muchos países, **Hilti** recoge las herramientas usadas para su recuperación. Pregunte al Servicio de Atención al Cliente de **Hilti** o a su asesor de ventas.



- No deseche las herramientas eléctricas, los aparatos eléctricos ni las baterías junto con los residuos domésticos.

10 Más información

Encontrará información adicional sobre manejo, técnica, medio ambiente y reciclaje en el siguiente enlace: qr.hilti.com/manual?id=2215655

Encontrará este enlace también al final de la documentación como código QR.



11 Garantia del fabricante

- ▶ Si tiene alguna consulta acerca de las condiciones de la garantía, póngase en contacto con su sucursal local de Hilti.

Manual de instruções original

1 Indicações sobre o Manual de instruções

1.1 Relativamente a este Manual de instruções

- Antes da colocação em funcionamento, leia este manual de instruções. Esta é a condição para um trabalho seguro e um manuseamento sem problemas.
- Tenha em atenção as instruções de segurança e as advertências neste Manual de instruções e no produto.
- Guarde o manual de instruções sempre junto do produto e entregue-o a outras pessoas apenas juntamente com este manual de instruções.

1.2 Explicação dos símbolos

1.2.1 Advertências

As advertências alertam para perigos durante a utilização do produto. São utilizadas as seguintes palavras de aviso:

PERIGO

PERIGO !

- ▶ Indica perigo iminente que pode originar acidentes pessoais graves ou até mesmo fatais.

AVISO

AVISO !

- ▶ Indica um possível perigo que pode causar graves ferimentos pessoais, até mesmo fatais.







CUIDADO

CUIDADO !

- ▶ Indica uma situação potencialmente perigosa que pode originar ferimentos corporais ou danos materiais.


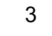
1.2.2 Símbolos no manual de instruções

Neste manual de instruções são utilizados os seguintes símbolos:

	Consultar o manual de instruções
	Instruções de utilização e outras informações úteis
	Manuseamento com materiais recicláveis
	Não deitar as ferramentas eléctricas e baterias no lixo doméstico
	Bateria de iões de lítio Hilti
	Carregador Hilti

1.2.3 Símbolos nas figuras

Em figuras são utilizados os seguintes símbolos:

	Estes números remetem para a figura respectiva no início do presente manual de instruções.
	A numeração reproduz uma sequência dos passos de trabalho na imagem e pode divergir dos passos de trabalho no texto.



	Na figura Vista geral são utilizados números de posição que fazem referência aos números da legenda na secção Vista geral do produto .
	Este símbolo pretende despertar a sua atenção durante o manuseamento do produto.

1.3 Símbolos dependentes do produto

1.3.1 Símbolos no produto

No produto, podem usar-se os seguintes símbolos:

	Risco de esmagamento!
	Perigo de choque eléctrico!
	O produto suporta a transmissão de dados sem fios, que é compatível com plataformas iOS e Android.
	Série utilizada da bateria de iões de lítio Hilti . Tenha em atenção as indicações no capítulo Utilização conforme a finalidade projectada .
Li-Ion	Bateria de iões de lítio
	Nunca utilize a bateria como ferramenta de percussão.
	Não deixe cair a bateria. Não utilize baterias que tenham recebido uma pancada ou que estejam, de outra forma, danificadas.
	Se existente no produto, isso significa que o produto foi certificado por este organismo de certificação para o mercado americano e canadiano de acordo com as normas em vigor.

1.4 Dados informativos sobre o produto

Os produtos destinam-se ao utilizador profissional e só podem ser operados, mantidos e reparados por pessoal autorizado, devidamente qualificado. Estas pessoas deverão estar informadas em particular sobre os potenciais perigos. O produto e seu equipamento auxiliar podem representar perigo se usados incorrectamente por pessoas não qualificadas ou se usados para fins diferentes daqueles para os quais foram concebidos.

A designação e o número de série são indicados na placa de características.

- ▶ Registe o número de série na tabela seguinte. Precisa dos dados do produto para colocar questões ao nosso representante ou posto de serviço de atendimento aos clientes.

Dados do produto

Aparelho de aperto	NCR 120 PC-A22 NCR 120C-A22
Geração	01
N.º de série	

2 Segurança

2.1 Normas de segurança gerais para ferramentas eléctricas

AVISO Leia todas as normas de segurança, instruções, imagens e dados técnicos, com os quais esta ferramenta eléctrica está equipada. O não cumprimento das instruções a seguir pode resultar em choque eléctrico, incêndio e/ou ferimentos graves.

Guarde bem todas as normas de segurança e instruções para futura referência.

O termo “ferramenta eléctrica” utilizado nas normas de segurança refere-se a ferramentas com ligação à corrente eléctrica (com cabo de alimentação) ou a ferramentas a bateria (sem cabo).

Segurança no posto de trabalho

- ▶ **Mantenha a sua área de trabalho limpa e bem iluminada.** Locais desarrumados ou mal iluminados podem ocasionar acidentes.
- ▶ **Não utilize a ferramenta eléctrica em ambientes explosivos ou na proximidade de líquidos ou gases inflamáveis.** Ferramentas eléctricas produzem faíscas que podem provocar a ignição de pó e vapores.



- ▶ **Mantenha crianças e terceiros afastados durante os trabalhos.** Distacções podem conduzir à perda de controlo sobre a ferramenta.

Segurança eléctrica

- ▶ **A ficha da ferramenta eléctrica deve servir na tomada. A ficha não deve ser modificada de modo algum. Não utilize quaisquer adaptadores com ferramentas eléctricas com ligação terra.** Fichas originais (não modificadas) e tomadas adequadas reduzem o risco de choque eléctrico.
- ▶ **Evite o contacto do corpo com superfícies ligadas à terra, como, por exemplo, canos, radiadores, fogões e frigoríficos.** Existe um risco elevado de choque eléctrico se o corpo estiver com ligação à terra.
- ▶ **As ferramentas eléctricas não devem ser expostas à chuva nem à humidade.** A infiltração de água numa ferramenta eléctrica aumenta o risco de choque eléctrico.
- ▶ **Não use o cabo de ligação para transportar, pendurar ou desligar a ferramenta eléctrica da tomada. Mantenha o cabo de ligação afastado de calor, óleo, arestas vivas ou partes em movimento.** Cabos de ligação danificados ou emaranhados aumentam o risco de choque eléctrico.
- ▶ **Quando operar uma ferramenta eléctrica ao ar livre, utilize apenas cabos de extensão próprios para utilização no exterior.** A utilização de um cabo de extensão próprio para utilização no exterior reduz o risco de choques eléctricos.
- ▶ **Utilize um disjuntor diferencial se não puder ser evitada a utilização da ferramenta eléctrica em ambiente húmido.** A utilização de um disjuntor diferencial reduz o risco de choque eléctrico.

Segurança física

- ▶ **Esteja alerta, observe o que está a fazer, e tenha prudência ao trabalhar com uma ferramenta eléctrica. Se estiver cansado ou sob influência de drogas, álcool ou medicamentos não efectue nenhum trabalho com ferramentas eléctricas.** Um momento de distração ao operar a ferramenta eléctrica pode causar ferimentos graves.
- ▶ **Use equipamento de segurança. Use sempre óculos de protecção.** Equipamento de segurança, como, por exemplo, máscara antipoeiras, sapatos de segurança antiderrapantes, capacete de segurança ou protecção auricular, de acordo com o tipo e aplicação da ferramenta eléctrica, reduzem o risco de lesões.
- ▶ **Evite um arranque involuntário. Assegure-se de que a ferramenta eléctrica está desligada antes de a ligar à fonte de alimentação e/ou à bateria, pegar nela ou a transportar.** Transportar a ferramenta eléctrica com o dedo no interruptor ou ligar uma ferramenta à tomada com o interruptor ligado (ON) pode resultar em acidentes.
- ▶ **Remova quaisquer chaves de ajuste (chaves de fenda), antes de ligar a ferramenta eléctrica.** Um acessório ou chave deixado preso numa parte rotativa da ferramenta pode causar ferimentos.
- ▶ **Evite posturas corporais desfavoráveis. Mantenha sempre uma posição correcta, em perfeito equilíbrio.** Desta forma será mais fácil manter o controlo sobre a ferramenta eléctrica em situações inesperadas.
- ▶ **Use roupa apropriada. Não use roupa larga ou jóias. Mantenha o cabelo, vestuário e luvas afastados das peças móveis.** Roupas largas, jóias ou cabelos compridos podem ficar presos nas peças móveis.
- ▶ **Se poderem ser montados sistemas de remoção e de recolha de pó, assegure-se de que estes estão ligados e são utilizados correctamente.** A utilização de um sistema de remoção de pó pode reduzir os perigos relacionados com a exposição ao mesmo.
- ▶ **Não se acomode numa falsa sensação de segurança e não ignore os regulamentos de segurança para ferramentas eléctricas, mesmo se estiver familiarizado com a ferramenta eléctrica após numerosas utilizações.** Agir de forma descuidada pode causar ferimentos graves dentro duma fracção de segundo.

Utilização e manuseamento da ferramenta eléctrica

- ▶ **Não sobrecarregue a ferramenta. Use para o seu trabalho a ferramenta eléctrica correcta.** Com a ferramenta eléctrica adequada obterá maior eficiência e segurança se respeitar os seus limites.
- ▶ **Não utilize a ferramenta eléctrica se o interruptor estiver defeituoso.** Uma ferramenta eléctrica que já não possa ser accionada pelo interruptor é perigosa e deve ser reparada.
- ▶ **Retire a ficha da tomada e/ou remova uma bateria amovível antes de efectuar ajustes na ferramenta, substituir acessórios ou guardar a ferramenta.** Esta medida preventiva evita o accionamento accidental da ferramenta eléctrica.
- ▶ **Guarde ferramentas eléctricas não utilizadas fora do alcance das crianças. Não permita que a ferramenta seja utilizada por pessoas não familiarizadas com a mesma ou que não tenham lido estas instruções.** Ferramentas eléctricas operadas por pessoas não treinadas são perigosas.
- ▶ **Faça uma manutenção regular de ferramentas eléctricas e acessórios. Verifique se as partes móveis funcionam perfeitamente e não emperram ou se há peças quebradas ou danificadas**



que possam influenciar o funcionamento da ferramenta eléctrica. Peças danificadas devem ser reparadas antes da utilização da ferramenta. Muitos acidentes são causados por ferramentas eléctricas com manutenção deficiente.

- ▶ **Mantenha as ferramentas de corte sempre afiadas e limpas.** Acessórios com gumes afiados tratados correctamente emperram menos e são mais fáceis de controlar.
- ▶ **Utilize a ferramenta eléctrica, acessórios, bits, etc., de acordo com estas instruções. Tome também em consideração as condições de trabalho e o trabalho a ser efectuado.** A utilização da ferramenta eléctrica para outros fins além dos previstos, pode ocasionar situações de perigo.
- ▶ **Mantenha punhos e respectivas superfícies secos, limpos e isentos de óleo e gordura.** Punhos e superfícies afins escorregadios não permitem um manuseamento e controlo seguro da ferramenta eléctrica em situações imprevistas.

Utilização e manuseamento da ferramenta a bateria

- ▶ **Apenas deverá carregar as baterias em carregadores recomendados pelo fabricante.** Num carregador adequado para um determinado tipo de baterias existe perigo de incêndio se for utilizado para outras baterias.
- ▶ **Nas ferramentas eléctricas utilize apenas as baterias previstas.** A utilização de outras baterias pode causar ferimentos e riscos de incêndio.
- ▶ **Quando a bateria não estiver em uso, mantenha-a afastada de outros objectos de metal, como, por exemplo, cliques, moedas, chaves, pregos, parafusos, ou outros pequenos objectos metálicos que possam ligar em ponte os contactos.** Um curto-circuito entre os contactos da bateria pode causar queimaduras ou incêndio.
- ▶ **Utilizações inadequadas podem provocar derrame do líquido da bateria. Evite o contacto com este líquido. No caso de contacto accidental, enxágue imediatamente com água. Se o líquido entrar em contacto com os olhos, procure auxílio médico.** O líquido que escorre da bateria pode provocar irritações ou queimaduras da pele.
- ▶ **Não utilize uma bateria danificada ou modificada.** Baterias danificadas ou modificadas podem ter um comportamento imprevisível e causar fogo, explosão ou risco de ferimentos.
- ▶ **Não exponha uma bateria ao fogo ou a temperaturas excessivas.** Fogo e temperaturas superiores a 130 °C (265 °F) podem provocar uma explosão.
- ▶ **Cumpra todas as instruções sobre o carregamento e nunca carregue a bateria ou a ferramenta a bateria fora da faixa de temperaturas indicada no manual de instruções.** O carregamento errado ou fora da faixa de temperaturas permitida pode destruir a bateria e aumentar o risco de incêndio.

Manutenção

- ▶ **A sua ferramenta eléctrica só deve ser reparada por pessoal qualificado e só devem ser utilizadas peças sobressalentes originais.** Isto assegurará que a segurança da ferramenta se mantenha.
- ▶ **Nunca faça a manutenção de baterias danificadas.** Qualquer manutenção de baterias só deverá ser realizada pelo fabricante ou serviços de assistência técnica autorizados.

2.2 Normas de segurança adicionais para a ferramenta de aperto

Segurança ao trabalhar próximo de instalações eléctricas

Antes de iniciar qualquer trabalho é necessário realizar uma avaliação dos riscos; e devem ser implementadas as medidas de protecção necessárias.

O pessoal que trabalha próximo de instalações eléctricas, deve ser instruído relativamente às exigências de segurança, assim como às regras de segurança e da empresa a aplicar no seu local de trabalho

É feita a distinção entre três métodos de trabalho: Trabalhos no estado sem tensão, trabalhos sob tensão, trabalhos próximos de peças sob tensão. Todos os três métodos pressupõem medidas de segurança eficazes contra choques eléctricos, assim como, contra efeitos de curto-circuitos e arcos eléctricos. Para mais informações consulte a norma EN 50110 e também outros requisitos e procedimentos nacionais. Todos os procedimentos e ferramentas seleccionadas devem ser verificadas em relação à sua adequação para o sistema onde se pretende trabalhar.

- ▶ Sempre que trabalhar em instalações eléctricas deve respeitar as leis e regulamentações internacionais, nacionais e locais em vigor, tais como a norma EN 50110.

Segurança física

- ▶ Tenha em consideração as normas e indicações de segurança válidas, específicas do país, para operar ferramentas de aperto e todos os trabalhos em, com e próximo de peças e cabos sob tensão.
- ▶ O pessoal que trabalha perto de cabos eléctricos sob tensão deve receber regularmente formação e treino.
- ▶ Utilize a ferramenta de aperto apenas se estiver em perfeitas condições técnicas.
- ▶ Nunca efectue quaisquer manipulações ou modificações na ferramenta de aperto.



- ▶ Se notar que sai óleo, não continue a utilizar a ferramenta e dirija-se ao Centro de Assistência Técnica **Hilti**. Elimine imediatamente o óleo a sair.
- ▶ Certifique-se de que o pino de travamento está totalmente inserido e engatou correctamente.
- ▶ Durante o trabalho de aperto, certifique-se de que existe uma distância suficiente entre a cabeça de aperto e a mão/dedos.
- ▶ Ligue a ferramenta de aperto apenas quando estiver na posição de trabalho.
- ▶ Tenha especial cuidado se estiver a trabalhar em cabos que se encontrem sob tensão mecânica.
- ▶ Segure a ferramenta de aperto sempre com as duas mãos nos punhos previstos para o efeito.
- ▶ Antes de cada utilização, inspeccione o revestimento preto na cabeça da ferramenta quanto a danos ou envelhecimento. Se constatar danos, o revestimento vermelho estiver visível e/ou o símbolo de aviso de risco de esmagamento ou de choque eléctrico já não estiver legível, não utilize a ferramenta de aperto e contacte o Centro de Assistência Técnica **Hilti**.
- ▶ Não monte nenhum gancho de cinto nesta ferramenta.
- ▶ Risco de ferimentos devido a queda de ferramentas e/ou acessórios. Antes de iniciar os trabalhos, verifique se os acessórios montados estão realmente fixos.
- ▶ Não olhe directamente para a luz de trabalho (LED) nem aponte a luz para o rosto de outras pessoas. Existe risco de encandeamento e pode causar danos nos olhos.
- ▶ Mantenha o dispositivo de segurança e o cabo de segurança limpos e secos.

Segurança eléctrica

- ▶ Antes de utilizar a ferramenta de aperto é necessário desligar da tensão todas as peças activas, ou seja, que conduzam corrente, no local de trabalho do operador. Se isso não for possível, devem ser tomadas as respectivas medidas de protecção, válidas no seu país, para os trabalhos próximos de cabos ou peças sob tensão.
- ▶ Antes de utilizar a ferramenta de aperto, certifique-se de que não existem cabos eléctricos, nem tubos de gás ou água ocultos na área de trabalho. As partes metálicas ou sob tensão externas podem dar-lhe um choque eléctrico se, por descuido, danificar cabos eléctricos, tubos de gás ou tubos de água.
- ▶ Não realize nenhum processo de aperto em peças sob tensão. A ferramenta de aperto é considerada como não estando isolada e, por conseguinte, deverá ser utilizada em conjunto com equipamento de protecção pessoal (luvas de protecção, sapatos de protecção, vestuário de protecção, etc.) adequado para o proteger a si e às pessoas que se encontrem nas proximidades. É necessário garantir um isolamento suficiente para a realização de trabalhos perto de cabos eléctricos sob tensão, por exemplo, utilizando material de isolamento fixo ou mantendo uma distância de separação suficiente. A ferramenta de aperto é adequada, entre outras, para a utilização em plataformas elevatórias ou plataformas com isolamento eléctrico.
- ▶ Para utilizar a ferramenta de aperto perto de cabos eléctricos sob tensão, o utilizador deve:
 - ▶ Tomar em consideração todos os diferentes potenciais (tensões).
 - ▶ Certificar-se de que todas as medidas e ferramentas são adequadas para a aplicação.
 - ▶ Ter formação para realizar trabalhos em cabos eléctricos sob tensão.
 - ▶ Usar equipamento de protecção individual adequado.
 - ▶ Usar vestuário justo adequado.
 - ▶ Retirar e guardar acessórios metálicos, tais como, jóias.

Utilização e manutenção de ferramentas eléctricas

- ▶ Após aproximadamente 50 processos de aperto sucessivos, desligue a ferramenta eléctrica e deixe-a arrefecer durante aprox. 15 minutos. Um sobreaquecimento pode dar origem a danos na ferramenta de aperto.
- ▶ Guarde a ferramenta de aperto num local seco e fora do alcance de crianças e de pessoas não autorizadas.

2.3 Utilização e manutenção de baterias

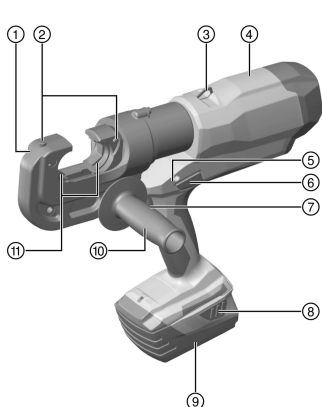
- ▶ Observe as regras específicas sobre transporte, armazenamento e utilização de baterias de íões de lítio.
- ▶ Mantenha as baterias afastadas de temperaturas elevadas, radiação solar directa e fogo.
- ▶ As baterias não devem ser desmanteladas, esmagadas, aquecidas acima dos 80 °C (176 °F) ou incineradas.
- ▶ Não utilize ou carregue quaisquer baterias que tenham sofrido golpes, tenham caído de altura superior a um metro ou tenham sido danificadas de outra forma. Neste caso, contacte sempre o seu **Centro de Assistência Técnica Hilti**.
- ▶ Se a bateria estiver demasiado quente ao toque, poderá estar com defeito. Coloque a bateria num local com boa visibilidade que não constitua risco de incêndio, suficientemente afastado de materiais



inflamáveis. Deixe a bateria arrefecer. Se, passado uma hora, a bateria ainda estiver demasiado quente ao toque, então está com defeito. Contacte o **Centro de Assistência Técnica Hilti**.

3 Descrição

3.1 Vista geral do produto 1



- ① Cabeça de aperto
- ② Botões de pressionar para soltar os caixilhos de pressão
- ③ Argola para chaves
- ④ Carcaça
- ⑤ Indicador de manutenção e de erro (LED vermelho)
- ⑥ Interruptor de reposição para retorno manual
- ⑦ Interruptor on/off
- ⑧ Botão de destravamento da bateria
- ⑨ Bateria
- ⑩ Punho (opcional), possibilidade de fixação
- ⑪ Caixilho de pressão
- ⑫ LED branco para iluminar a área de trabalho

3.2 Utilização correcta

O produto descrito é uma aparelho de cravação electro-hidráulico não isolado, alimentado a bateria. Destina-se a cravar material de união em cobre (Cu) ou alumínio (Al).

Antes de iniciar o trabalho é necessário desligar da tensão todas as peças activas, ou seja, que conduzam corrente, no local de trabalho do operador. Se isso não for possível é necessário tomar as respectivas medidas de protecção, para poder efectuar trabalhos nas proximidades de peças sob tensão.

- Para este produto, utilize apenas as baterias de íões de lítio **Hilti** da série B 22.
- Utilize apenas carregadores aprovados pela **Hilti** para estas baterias. Pode encontrar mais informações na sua **Hilti Store** ou em: www.hilti.group

3.3 Possível uso incorrecto

- O produto manual não pode ser fixado e utilizado para a aplicação fixa.

3.4 Cabeça de aperto revestida

NCR 120C-A22



PERIGO

Perigo de vida devido a corrente eléctrica! O contacto com cabos eléctricos sob tensão pode dar origem a graves lesões corporais ou à morte.

- ▶ A ferramenta de aperto não se encontra isolada! Se utilizar esta ferramenta de aperto perto de cabos eléctricos sob tensão, use equipamento de protecção individual.

A cabeça de aperto do NCR 120C-A22 está equipada com um revestimento em PVC de duas camadas. A camada interior do revestimento em PVC é de cor vermelha, a camada exterior é preta.



Antes de cada utilização, inspecione o revestimento preto na cabeça da ferramenta quanto a danos ou envelhecimento. Se constatar danos, o revestimento vermelho estiver visível e/ou o símbolo de aviso de risco de esmagamento ou de choque eléctrico já não estiver legível, não utilize a ferramenta de aperto e contacte o Centro de Assistência Técnica **Hilti**.



3.5 Indicador da bateria de íões de lítio

O estado da carga da bateria de íões de lítio e as avarias do produto são sinalizados através da indicação da bateria de íões de lítio. O estado de carga da bateria de íões de lítio é exibido depois de pressionado um dos dois botões de destravamento da bateria.

Estado	Significado
4 LED acendem.	Estado de carga: 75% a 100%
3 LED acendem.	Estado de carga: 50% a 75%
2 LED acendem.	Estado de carga: 25% a 50%
1 LED acende.	Estado de carga: 10% a 25%
1 LED pisca.	Estado de carga: < 10%

Com o interruptor on/off pressionado e até 5 segundos depois de o soltar, não é possível consultar o estado de carga. Se os LED da indicação da bateria estiverem a piscar, leia as indicações no capítulo Ajuda em caso de avarias.

3.6 Incluído no fornecimento

Aparelho de aperto, manual de instruções.

Poderá encontrar outros produtos de sistema aprovados para o seu produto na sua **Hilti Store** ou em: www.hilti.group

3.7 Selecção dos caixilhos de pressão

No fim deste manual de instruções poderá encontrar as tabelas para a selecção dos caixilhos de pressão a utilizar.

4 Características técnicas

Tensão nominal	21,6 V
Peso incluindo bateria B228.0	7,5 kg (16,5 lb)
Tempo de aperto	8 s ... 9 s
máx. capacidade de aperto admissível	<ul style="list-style-type: none"> 750 MCM (400 mm²) Cu 750 MCM (400 mm²) Al
máx. força de aperto	120 kN (27 000 lb)
Temperatura de armazenagem	-20 °C ... 70 °C (-4 °F ... 158 °F)
Temperatura ambiente durante o funcionamento	-17 °C ... 60 °C (1 °F ... 140 °F)

4.1 Bateria

Tensão de serviço da bateria	21,6 V
Temperatura ambiente	-10 °C ... 60 °C (14 °F ... 140 °F)
Temperatura de armazenagem	-20 °C ... 40 °C (-4 °F ... 104 °F)
Temperatura da bateria no início do carregamento	-10 °C ... 45 °C (14 °F ... 113 °F)



5 Utilização

5.1 Preparação do local de trabalho

AVISO

Risco de ferimentos devido a arranque involuntário!

- ▶ Antes de encaixar a bateria, certifique-se de que o produto correspondente está desligado.
- ▶ Remova a bateria, antes de efectuar ajustes na ferramenta ou substituir acessórios.

AVISO

Risco de ferimentos devido a garras do alicate alinhadas incorrectamente! Garras do alicate alinhadas incorrectamente podem ser projectadas para fora e causar ferimentos.

- ▶ Antes e durante o processo de aperto, certifique-se que as garras de aperto estão correctamente alinhadas.

CUIDADO

Risco de ferimentos! O acessório pode estar quente e/ou com arestas vivas.

- ▶ Use luvas de protecção ao mudar o acessório.
- ▶ Nunca pouse acessórios quentes sobre bases inflamáveis.

Tenha em atenção as instruções de segurança e as advertências nesta documentação e no produto.

5.2 Carregar a bateria

1. Antes de carregar, leia o manual de instruções do carregador.
2. Certifique-se de que os contactos da bateria e do carregador estão limpos e secos.
3. Carregue a bateria num carregador aprovado. → Página 42

5.3 Colocar a bateria

AVISO

Risco de ferimentos devido a curto-circuito ou queda da bateria!

- ▶ Antes de encaixar a bateria, certifique-se de que os contactos da bateria e os contactos no produto estão livres de corpos estranhos.
- ▶ Certifique-se de que a bateria engata sempre correctamente.

1. A bateria deve ser completamente carregada antes da primeira utilização.
2. Introduza a bateria no produto até engatar de forma audível.
3. Verifique se a bateria está correctamente encaixada.

5.4 Retirar a bateria

1. Pressione os botões de destravamento da bateria.
2. Puxe a bateria para fora da ferramenta.

5.5 Aplicar caixilho de pressão

AVISO

Risco de ferimentos! Arranque inadvertido do produto.

- ▶ Remova a bateria antes de aplicar/substituir/retirar os caixilhos de pressão.



Nunca accione o aparelho de aperto sem caixilho de pressão!

1. Remova a bateria, seleccione o caixilho de pressão adequado.
2. Insira os caixilhos de pressão até que estes engatem.



3. Rode a cabeça de aperto para a posição de trabalho pretendida.



No estado despressurizado é claramente mais fácil rodar a cabeça de aperto.

5.6 Retirar o caixilho de pressão



AVISO

Risco de ferimentos! Arranque inadvertido do produto.

▶ Remova a bateria antes de aplicar/substituir/retirar os caixilhos de pressão.

1. Retire a bateria, rode a cabeça de aperto na posição de partida.
2. Pressione os botões de bloqueio e retire os caixilhos de pressão.

5.7 Protecção anti-queda



AVISO

Risco de ferimentos devido a queda de ferramentas e/ou acessórios!

- ▶ Utilize apenas o cabo de segurança para ferramentas **Hilti** recomendado para o seu produto.
- ▶ Antes de cada utilização, verifique o ponto de fixação do cabo de segurança para ferramentas quanto a possíveis danos.



Observe as directivas nacionais para trabalhos em altura.

Utilize exclusivamente o cabo de segurança para ferramentas **Hilti** #2261971 como protecção anti-queda para este produto.

- ▶ Fixe o cabo de segurança para ferramentas ao produto com o laço como ilustrado na imagem. Verifique se está bem apertado.
- ▶ Fixe o mosquetão a uma estrutura de suporte. Verifique se o mosquetão está bem apertado.



Observe o manual de instruções do cabo de segurança para ferramentas **Hilti**.

5.8 Executar o processo de aperto (cravação)



PERIGO

Risco de choque eléctrico! Trabalhos em condições exteriores adversas pode causar choques eléctricos e/ou curto-circuitos.

- ▶ Em caso de condições meteorológicas adversas nunca trabalhe em cabos eléctricos sob tensão.
- ▶ Pare imediatamente o trabalho se as condições meteorológicas influenciarem as características de isolamento, a visibilidade ou o movimento de quem está a realizar o trabalho.



AVISO

Perigo! Perigo de incêndio devido a um aperto incorreto.

- ▶ Utilize cabos e conectores de pressão compatíveis entre si, com os respetivos caixilhos de pressão. Uma violação desta premissa pode dar origem a apertos incorrectos.
- ▶ Preste atenção ao sinal acústico e ao recuo do êmbolo. Se não for audível o sinal acústico e/ou o êmbolo não recuar, isso significa um aperto incorrecto.



⚠ AVISO

Risco de ferimento devido ao óleo a sair com elevada pressão! O óleo a sair com elevada pressão pode causar ferimentos na pele e nos olhos.

- ▶ Não utilize o aparelho de aperto se forem visíveis danos.
- ▶ Não utilize o aparelho de aperto se sair óleo.
- ▶ Certifique-se de que o êmbolo recua após cada processo de aperto.
- ▶ Se o êmbolo não recuar após o processo de aperto, accione o interruptor de reposição para retorno manual.

⚠ AVISO

Risco de ferimentos devido a estilhaços projectados! Os estilhaços podem provocar ferimentos nos olhos e no corpo.

- ▶ Use óculos e luvas de protecção.
- ▶ Utilize material de união adequado com os caixilhos de pressão correctos.
- ▶ Antes e durante o processo de aperto, certifique-se que as garras de aperto estão correctamente alinhadas.

⚠ CUIDADO

Curto-circuito devido à rebarba resultante do esmagamento! Um aperto incorrecto pode dar origem à formação de rebarbas, o que pode dar origem a curto-circuitos/arcs eléctricos.

- ▶ Utilize o caixilho de pressão correto.
- ▶ Utilize material de união adequado.
- ▶ Remova rebarbas que se tenham formado durante o aperto.

1. Coloque o material de união na garra de aperto aberta.



O óleo hidráulico pode espessar em condições meteorológicas frias e tornar o processo de cravação mais lento. Realize 5 a 10 processos de cravação em vazio, de modo a aquecer o aparelho de cravação.

2. Accione o interruptor on/off.
3. Mantenha o interruptor on / off pressionado até ao recuo do êmbolo.
4. Se necessário, repita o processo de aperto começando em A, no sentido da seta B, de acordo com o número de apertos indicados nas tabelas.

6 Conservação e manutenção

⚠ AVISO

Risco de lesão com a bateria encaixada !

- ▶ Retire sempre a bateria antes de todos os trabalhos de conservação e manutenção!

Conservação do produto

- Remova sujidade persistente com cuidado.
- Se existente, limpe as saídas de ar cuidadosamente com uma escova seca e macia.
- Limpe a carcaça apenas com um pano ligeiramente húmido. Não utilize produtos de conservação que contenham silicone, uma vez que estes podem danificar os componentes de plástico.
- Utilize um pano limpo e seco, para limpar os contactos do produto.

Conservação das baterias de iões de lítio

- Nunca utilize uma bateria com as saídas de ar obstruídas. Limpe as saídas de ar cuidadosamente com uma escova seca e macia.
- Evite que a bateria seja exposta desnecessariamente a pó ou sujidade. Nunca exponha a bateria a humidade elevada (por ex., mergulhar em água ou deixar à chuva).
Se uma bateria tiver ficado encharcada, trate-a como uma bateria danificada. Isole-a num recipiente não inflamável e contacte o Centro de Assistência Técnica **Hilti**.
- Mantenha a bateria sem resíduos de óleo e massa consistente externos. Não permita que se acumule desnecessariamente pó ou sujidade sobre a bateria. Limpe a bateria com uma escova seca e macia ou um pano limpo e seco. Não utilize produtos de conservação que contenham silicone, uma vez que estes podem danificar os componentes de plástico.
Não toque nos contactos da bateria nem remova dos contactos a massa consistente aplicada de fábrica.



- Limpe a carcaça apenas com um pano ligeiramente húmido. Não utilize produtos de conservação que contenham silicone, uma vez que estes podem danificar os componentes de plástico.

Manutenção

- Verifique, regularmente, todos os componentes visíveis quanto a danos e os comandos operativos quanto a funcionamento perfeito.
- Não opere o produto se existirem danos e/ou perturbações de funcionamento. Mande reparar o produto imediatamente no Centro de Assistência Técnica **Hilti**.
- Após os trabalhos de conservação e manutenção, aplique todos os dispositivos de protecção e verifique se funcionam correctamente.



Para um funcionamento seguro, utilize apenas peças sobresselentes e consumíveis originais. Poderá encontrar peças sobresselentes, consumíveis e acessórios aprovados pela **Hilti** para o seu produto na sua **Hilti Store** ou em: www.hilti.group

7 Transporte e armazenamento de ferramentas a bateria e baterias

Transporte

CUIDADO

Arranque inadvertido durante o transporte !

- ▶ Transporte os seus produtos sempre sem as baterias colocadas!
- ▶ Retire a/as bateria(s).
- ▶ Nunca transporte as baterias sem embalagem. Durante o transporte, as baterias devem ser protegidas contra impactos e vibrações excessivos e isoladas de quaisquer materiais condutores ou outras baterias, para que não entrem em contacto com os pólos de outras baterias e causem um curto-circuito. **Observe as suas normas de transporte locais para baterias.**
- ▶ As baterias não devem ser enviadas por correio. Quando pretender enviar baterias não danificadas, contacte uma empresa transportadora.
- ▶ Verifique o produto e as baterias quanto a danos antes de cada utilização, bem como antes e depois de longos períodos de transporte.

Armazenamento

AVISO

Dano acidental devido a baterias com defeito ou a perderem líquido !

- ▶ Armazene os seus produtos sempre sem as baterias colocadas!
- ▶ Guarde o produto e as baterias em lugar fresco e seco. Tenha em atenção os valores limite de temperatura, que estão indicados nas Características técnicas.
- ▶ Não guarde as baterias no carregador. Após o processo de carregamento, retire sempre a bateria do carregador.
- ▶ Nunca armazene as baterias em locais sujeitos a exposição solar, em cima de fontes de calor ou por trás de um vidro.
- ▶ Guarde o produto e as baterias fora do alcance das crianças e das pessoas não autorizadas.
- ▶ Verifique o produto e as baterias quanto a danos antes de cada utilização, bem como antes e depois de longos períodos de armazenamento.

8 Ajuda em caso de avarias

No caso de avarias que não sejam mencionadas nesta tabela ou se não conseguirem resolvê-las por si mesmo, contacte o nosso Centro de Assistência Técnica **Hilti**.

8.1 O aparelho de aperto não está pronto a funcionar

Avaria	Causa possível	Solução
Os LEDs na bateria não indicam nada.	A bateria não está completamente encaixada.	▶ Encaixe a bateria com um duplo clique.
	Bateria descarregada.	▶ Substitua a bateria e carregue a bateria descarregada.



Avaria	Causa possível	Solução
Os LEDs na bateria não indicam nada.	Bateria demasiado quente ou demasiado fria.	▶ Deixe a bateria arrefecer ou coloque a bateria à temperatura ambiente.
1 LED na bateria pisca.	Bateria descarregada.	▶ Substitua a bateria e carregue a bateria descarregada.
	Bateria demasiado quente ou demasiado fria.	▶ Deixe a bateria arrefecer ou coloque a bateria à temperatura ambiente.
4 LEDs na bateria piscam.	Produto sobrecarregado por instantes.	▶ Deixe arrefecer o produto.
LED vermelho => aceso continuamente com som de aviso.	Problema técnico.	▶ Possibilidade de aplicação incorrecta! Contacte um Centro de Assistência Técnica HILTI.
LED vermelho => pisca brevemente com som de aviso.	O estado de carga da bateria é demasiado baixo para efectuar uma aplicação completa.	▶ Substitua a bateria e carregue a bateria descarregada.
LED vermelho => acende por instantes sem som de aviso.	Produto sobreaquecido.	▶ Deixe arrefecer o produto.

8.2 Aparelho de apeto está pronto a funcionar

Avaria	Causa possível	Solução
A bateria descarrega-se mais depressa do que habitualmente.	Temperatura ambiente muito baixa.	▶ Deixe a bateria aquecer lentamente até à temperatura ambiente.
A bateria não encaixa com duplo clique audível.	Sujidade nos encaixes da bateria.	▶ Limpe as patilhas de fixação e volte a encaixar a bateria.
LED vermelho => pisca prolongadamente com som de aviso.	Pressão de aperto não atingida (erro de aplicação).	▶ Preste atenção à aplicação correcta e, se necessário, verifique o aperto.
LED vermelho => aceso continuamente com som de aviso.	Problema técnico.	▶ Possibilidade de aplicação incorrecta! Contacte um Centro de Assistência Técnica HILTI.

9 Reciclagem



AVISO

Perigo de ferimentos devido a eliminação incorrecta! Riscos para a saúde devido à fuga de gases ou líquidos.

- ▶ Não envie quaisquer baterias danificadas!
- ▶ Para evitar curto-circuitos, cubra as conexões com um material não condutor.
- ▶ Elimine as baterias de modo a mantê-las longe do alcance das crianças.
- ▶ Efectue a reciclagem da bateria na sua **Hilti Store** ou entre em contacto com a empresa de recolha de lixo responsável.

Os produtos **Hilti** são, em grande parte, fabricados com materiais recicláveis. Um pré-requisito para a reciclagem é que esses materiais sejam devidamente separados. Em muitos países, a **Hilti** aceita o seu aparelho usado para reaproveitamento. Para mais informações, dirija-se ao Serviço de Clientes **Hilti** ou ao seu vendedor.



- ▶ Não deite as ferramentas eléctricas, aparelhos electrónicos e baterias no lixo doméstico!



10 Mais informações

Pode consultar informações mais pormenorizadas sobre Utilização, Tecnologia, Meio ambiente e Reciclagem na seguinte hiperligação: qr.hilti.com/manual?id=2215655
Também pode encontrar esta hiperligação no final da documentação sob a forma de código QR.

11 Garantia do fabricante

- ▶ Se tiver dúvidas em relação às condições de garantia, contacte o seu parceiro **Hilti** local.







Dies for Dual-rated Aluminum Connectors

Dies to be used with the 12 ton tool				Number of crimps per connector ►						
Type	Item No.	Wire Size	Color Code	Anderson	Blackburn®	Burndy	ILSCO	Panduit	T&B	Penn-Union
NCR U AL 8		8 AWG	Blue	1	1	1	1	1	1	1
NCR U AL 6		6 AWG	Gray							
NCR U AL 4		4 AWG	Green							
NCR U AL 2		2 AWG	Pink							
NCR U AL 1		1 AWG	Gold							
NCR U AL 1/0		1/0 AWG	Tan							
NCR U AL 2/0		2/0 AWG	Olive	2	2	2	2	2	2	
NCR U AL 3/0		3/0 AWG	Ruby							
NCR U AL 4/0		4/0 AWG	White							
NCR U AL 250		250 MCM	Red							
NCR U AL 300		300 MCM	Blue							
NCR U AL 350		350 MCM	Brown							
NCR U AL 400		400 MCM	Green	3	3	3	3	3	3	
NCR U AL 500		500 MCM	Pink							
NCR U AL 600		600 MCM	Black							
NCR U AL 750		750 MCM	Yellow							

► Use the number of crimps listed in this column instead of the number provided with the connector

When used with NCR U AL-type dies, the tool (NCR 120 PC-A22) is cULus classified for use with the following connector brands.					
Connector Type	Barrel Type	Anderson	Blackburn®	Burndy	ILSCO
Dual-rated Aluminum Splice	short	VACS	ASP	YS-A	AS
Dual-rated Aluminum Lug	long	VACL	ATL	YA-A YA-ATN	ACL/ACN 2ACL/2ACN ALNS/ALNN/ALND
Connector Type	Barrel Type	Panduit ◀	T&B		Penn-Union ▼
Dual-rated Aluminum Splice	short	SA	60501-60578		PIK
Dual-rated Aluminum Lug	long	LAA/LAB	60101-60176 60230-60278		BLUA



95R7

Dies for Copper Connectors

Dies to be used with the 12 ton tool				Number of crimps per connector ▶						
Type	Item No.	Wire Size	Color Code	Anderson	Blackburn®	Burndy	ILSCO	Panduit	T&B	Penn-Union
NCR U CU 8		8 AWG	Red	1	1	1	1	1	1	1
NCR U CU 6		6 AWG	Blue							
NCR U CU 4		4 AWG	Gray							
NCR U CU 2		2 AWG	Brown							
NCR U CU 1		1 AWG	Green							
NCR U CU 1/0		1/0 AWG	Pink							
NCR U CU 2/0		2/0 AWG	Black							
NCR U CU 3/0		3/0 AWG	Orange							
NCR U CU 4/0		4/0 AWG	Purple							
NCR U CU 250		250 MCM	Yellow							
NCR U CU 300		300 MCM	White	2	2	2	2	2	2	2
NCR U CU 350		350 MCM	Red							
NCR U CU 400		400 MCM	Blue							
NCR U CU 500		500 MCM	Brown							
NCR U CU 600		600 MCM	Green							
NCR U CU 750		750 MCM	Black							

▶ Use the number of crimps listed in this column instead of the number provided with the connector

When used with NCR U CU-type dies, the tool (NCR 120 PC-A22) is cULus classified for use with the following connector brands.					
Connector Type	Barrel Type	Anderson	Blackburn®	Burndy	ILSCO
Copper Splice	Short	VHSS	CSP	YS-L	CT
	Long	VHS	CU	YS	CTL
Copper Lug	Short	VHCS	CTL-2/CTL	YA-2LN/YA-L/YA-2L YA/YA-L-TC/ YA-L-2TC	CSW CRA/CRB CRC
	Long	VHCL	CTL-L/LCN	YA/YAZ YA-2N/YA-2TC YAZ-2N/YAZ-2TC	CLN/CLW CRA-L/CRB-L CRA-2L/CRB-2L/ CRC-2L
Connector Type	Barrel Type	Panduit	T&B	Penn-Union ▼	
Copper Splice	Short	SCSS/SCS	54504-54523-TB	BCU	
	Long	SCL/SCH	54804-54823	BBCU	
Copper Lug	Short	LCAS/LCA LCD/LCAN	54104-54123-TB 54204-54223	BLU	
	Long	LCB/LCC	54930BE-54923BE 54850BE-54880BE	BBLU	



95R7



Hilti Corporation
LI-9494 Schaan
Tel.:+423 234 21 11
Fax:+423 234 29 65
www.hilti.group



2215655