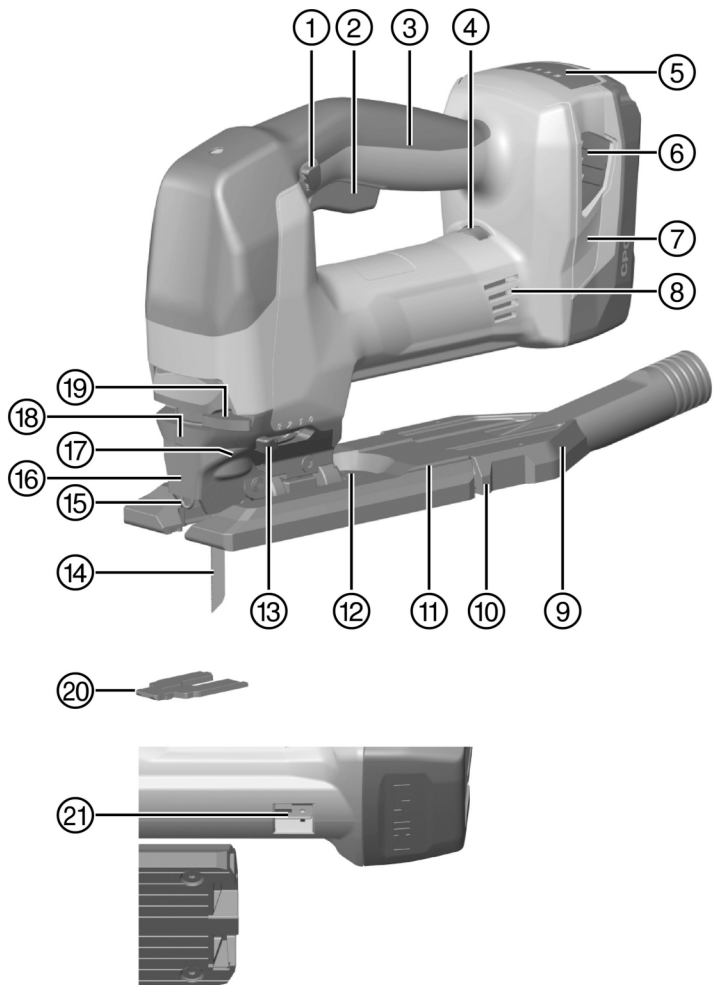
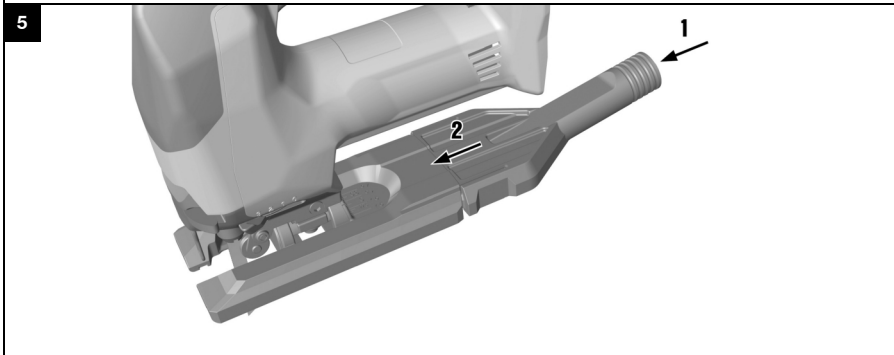
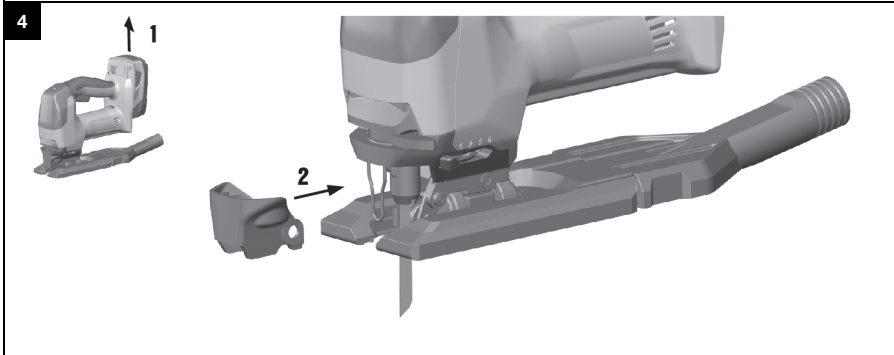
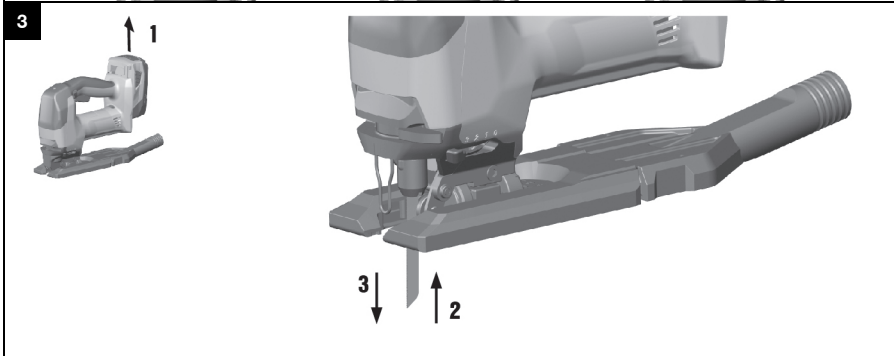
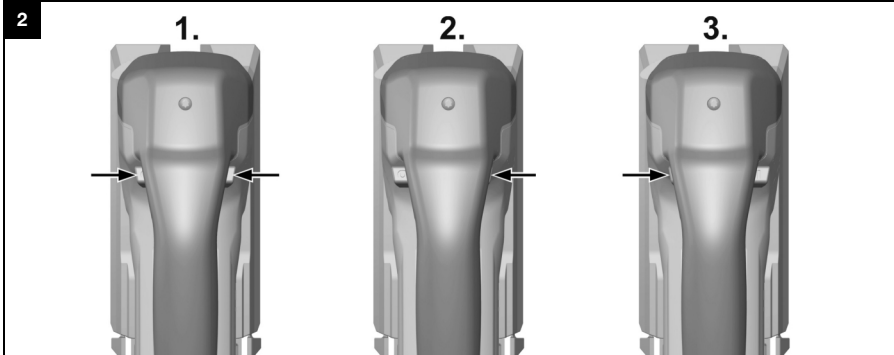




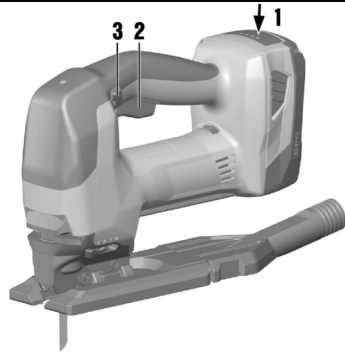
SJD 6-A22

English	1
Français	13
Español	26
Português	38

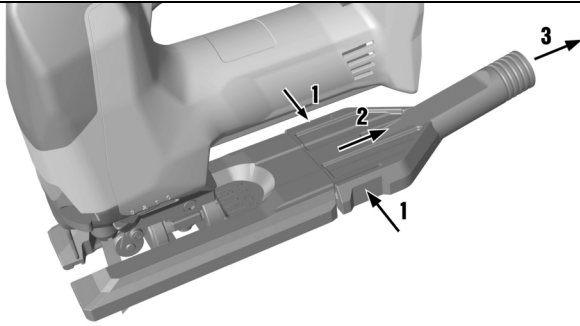




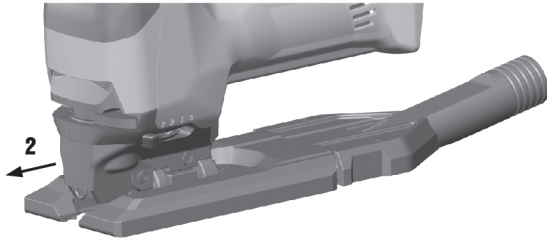
6



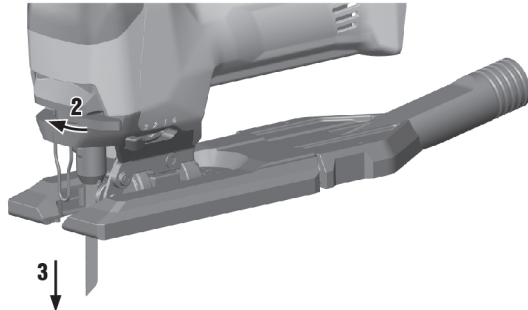
7



8



9



SJD 6-A22

en	Original operating instructions	1
fr	Mode d'emploi original	13
es	Manual de instrucciones original	26
pt	Manual de instruções original	38

Original operating instructions

1 Information about the operating instructions

1.1 About these operating instructions

- Read these operating instructions before the product is used or operated for the first time. This is a prerequisite for safe, trouble-free handling and use of the product.
- Observe the safety instructions and warnings in these operating instructions and on the product.
- Always keep the operating instructions with the product and make sure that the product is accompanied by these operating instructions only, when the product is given to other persons.

1.2 Explanation of symbols used

1.2.1 Warnings

Warnings alert persons to hazards that occur when handling or using the product. The following signal words are used:

DANGER

DANGER !

- ▶ Draws attention to imminent danger that will lead to serious personal injury or fatality.

WARNING

WARNING !

- ▶ Draws attention to a potential threat of danger that can lead to serious injury or fatality.





CAUTION

CAUTION !

- ▶ Draws attention to a potentially dangerous situation that could lead to personal injury or damage to the equipment or other property.





1.2.2 Symbols in the documentation

The following symbols are used in this document:

	Read the operating instructions before use.
	Instructions for use and other useful information
	Dealing with recyclable materials
	Do not dispose of electric equipment and batteries as household waste

1.2.3 Symbols in the illustrations

The following symbols are used in illustrations:

	These numbers refer to the corresponding illustrations found at the beginning of these operating instructions
	The numbering reflects the sequence of operations shown in the illustrations and may deviate from the steps described in the text
	Item reference numbers are used in the overview illustrations and refer to the numbers used in the product overview section
	This symbol is intended to draw special attention to certain points when handling the product.



1.3 Product-dependent symbols

1.3.1 Symbols on the product

The following symbols can be used on the product:

	Stroke rate under no load
	Direct current (DC)
	The product supports wireless data transmission compatible with iOS and Android platforms.
	Li-ion battery
	Hilti Li-ion battery type series used. Observe the information given in the section headed Intended use .
	Never use the battery as a striking tool.
	Do not drop the battery. Never use a battery that has suffered an impact or is damaged in any other way.

1.4 Product information

products are designed for professional users and only trained, authorized personnel are permitted to operate, service and maintain the products. This personnel must be specifically informed about the possible hazards. The product described and its ancillary equipment can present hazards if used incorrectly by untrained personnel or if used not in accordance with the intended use.

The type designation and serial number are printed on the type identification plate.

- ▶ Write down the serial number in the table below. Always quote this information when you contact a Hilti representative or Hilti Service to inquire about the product.

Product information

Orbital-action jig saw	SJD 6-A22
Generation	01
Serial no.	

1.5 Declaration of conformity

We declare, on our sole responsibility, that the product described here complies with the applicable directives and standards. A copy of the document issued by the certification body can be found at the end of this documentation.

The technical documentation is filed here:

Hilti Entwicklungsgesellschaft mbH | Tool Certification | Hiltistrasse 6 | 86916 Kaufering, Germany

2 Safety

2.1 General power tool safety warnings

⚠ WARNING Read all safety warnings, instructions, illustrations and specifications provided with this power tool. Failure to follow all instructions listed below may result in electric shock, fire and/or serious injury. **Save all warnings and instructions for future reference.**

The term "power tool" in the warnings refers to your mains-operated (corded) power tool or battery-operated (cordless) power tool.

Work area safety

- ▶ **Keep work area clean and well lit.** Cluttered or dark areas invite accidents.
- ▶ **Do not operate power tools in explosive atmospheres, such as in the presence of flammable liquids, gases or dust.** Power tools create sparks which may ignite the dust or fumes.
- ▶ **Keep children and bystanders away while operating a power tool.** Distractions can cause you to lose control.



Electrical safety

- ▶ **Power tool plugs must match the outlet. Never modify the plug in any way. Do not use any adapter plugs with earthed (grounded) power tools.** Unmodified plugs and matching outlets will reduce risk of electric shock.
- ▶ **Avoid body contact with earthed or grounded surfaces, such as pipes, radiators, ranges and refrigerators.** There is an increased risk of electric shock if your body is earthed or grounded.
- ▶ **Do not expose power tools to rain or wet conditions.** Water entering a power tool will increase the risk of electric shock.
- ▶ **Do not abuse the cord. Never use the cord for carrying, pulling or unplugging the power tool. Keep cord away from heat, oil, sharp edges or moving parts.** Damaged or entangled cords increase the risk of electric shock.
- ▶ **When operating a power tool outdoors, use an extension cord suitable for outdoor use.** Use of a cord suitable for outdoor use reduces the risk of electric shock.
- ▶ **If operating a power tool in a damp location is unavoidable, use a residual current device (RCD) protected supply.** Use of an RCD reduces the risk of electric shock.

Personal safety

- ▶ **Stay alert, watch what you are doing and use common sense when operating a power tool. Do not use a power tool while you are tired or under the influence of drugs, alcohol or medication.** A moment of inattention while operating power tools may result in serious personal injury.
- ▶ **Use personal protective equipment. Always wear eye protection.** Protective equipment such as a dust mask, non-skid safety shoes, hard hat or hearing protection used for appropriate conditions will reduce personal injuries.
- ▶ **Prevent unintentional starting. Ensure the switch is in the off-position before connecting to power source and/or battery pack, picking up or carrying the tool.** Carrying power tools with your finger on the switch or energising power tools that have the switch on invites accidents.
- ▶ **Remove any adjusting key or wrench before turning the power tool on.** A wrench or a key left attached to a rotating part of the power tool may result in personal injury.
- ▶ **Do not overreach. Keep proper footing and balance at all times.** This enables better control of the power tool in unexpected situations.
- ▶ **Dress properly. Do not wear loose clothing or jewellery. Keep your hair and clothing away from moving parts.** Loose clothes, jewellery or long hair can be caught in moving parts.
- ▶ **If devices are provided for the connection of dust extraction and collection facilities, ensure these are connected and properly used.** Use of dust collection can reduce dust-related hazards.
- ▶ **Do not let familiarity gained from frequent use of tools allow you to become complacent and ignore tool safety principles.** A careless action can cause severe injury within a fraction of a second.

Power tool use and care

- ▶ **Do not force the power tool. Use the correct power tool for your application.** The correct power tool will do the job better and safer at the rate for which it was designed.
- ▶ **Do not use the power tool if the switch does not turn it on and off.** Any power tool that cannot be controlled with the switch is dangerous and must be repaired.
- ▶ **Disconnect the plug from the power source and/or remove the battery pack, if detachable, from the power tool before making any adjustments, changing accessories, or storing power tools.** Such preventive safety measures reduce the risk of starting the power tool accidentally.
- ▶ **Store idle power tools out of the reach of children and do not allow persons unfamiliar with the power tool or these instructions to operate the power tool.** Power tools are dangerous in the hands of untrained users.
- ▶ **Maintain power tools and accessories. Check for misalignment or binding of moving parts, breakage of parts and any other condition that may affect the power tool's operation. If damaged, have the power tool repaired before use.** Many accidents are caused by poorly maintained power tools.
- ▶ **Keep cutting tools sharp and clean.** Properly maintained cutting tools with sharp cutting edges are less likely to bind and are easier to control.
- ▶ **Use the power tool, accessories and tool bits etc. in accordance with these instructions, taking into account the working conditions and the work to be performed.** Use of the power tool for operations different from those intended could result in a hazardous situation.
- ▶ **Keep handles and grasping surfaces dry, clean and free from oil and grease.** Slippery handles and grasping surfaces do not allow for safe handling and control of the tool in unexpected situations.



Battery tool use and care

- ▶ **Recharge only with the charger specified by the manufacturer.** A charger that is suitable for one type of battery pack may create a risk of fire when used with another battery pack.
- ▶ **Use power tools only with specifically designated battery packs.** Use of any other battery packs may create a risk of injury and fire.
- ▶ **When battery pack is not in use, keep it away from other metal objects, like paper clips, coins, keys, nails, screws or other small metal objects, that can make a connection from one terminal to another.** Shorting the battery terminals together may cause burns or a fire.
- ▶ **Under abusive conditions, liquid may be ejected from the battery; avoid contact. If contact accidentally occurs, flush with water. If liquid contacts eyes, additionally seek medical help.** Liquid ejected from the battery may cause irritation or burns.
- ▶ **Do not use a battery pack or tool that is damaged or modified.** Damaged or modified batteries may exhibit unpredictable behaviour resulting in fire, explosion or risk of injury.
- ▶ **Do not expose a battery pack or tool to fire or excessive temperature.** Exposure to fire or temperature above 130° C (265 °F) may cause explosion.
- ▶ **Follow all charging instructions and do not charge the battery pack or tool outside the temperature range specified in the instructions.** Charging improperly or at temperatures outside the specified range may damage the battery and increase the risk of fire.

Service

- ▶ **Have your power tool serviced by a qualified repair person using only identical replacement parts.** This will ensure that the safety of the power tool is maintained.
- ▶ **Never service damaged battery packs.** Service of battery packs should only be performed by the manufacturer or authorized service providers.

2.2 Safety instructions for reciprocating saws

- ▶ **Hold the power tool by insulated gripping surfaces, when performing an operation where the cutting accessory may contact hidden wiring.** Cutting accessory contacting a "live" wire may make exposed metal parts of the power tool "live" and could give the operator an electric shock.
- ▶ **Use clamps or another practical way to secure and support the workpiece to a stable platform.** Holding the workpiece by hand or against your body leaves it unstable and may lead to loss of control.

2.3 Additional safety instructions

Personal safety

- ▶ Use the power tool only when it is in technically faultless condition.
- ▶ Never tamper with or modify the tool in any way.
- ▶ Keep the grips clean and dry.
- ▶ Suitable protective glasses, ear protection and protective gloves must be worn while the power tool is in use.
- ▶ Wear protective gloves when changing the accessory tool. Touching the accessory tool presents a risk of injury (cuts or burns).
- ▶ Wear eye protection. Flying fragments present a risk of injury to the body and eyes.
- ▶ Do not look directly into the light source (LEDs) incorporated in the power tool and do not direct the light at other persons' faces. This presents a risk of dazzling or eye damage.
- ▶ Before beginning the work, check the hazard classification of the dust that will be produced. Use an industrial vacuum cleaner with an officially approved protection classification in compliance with locally applicable dust protection regulations.
- ▶ Make sure that the workplace is well ventilated and, where necessary, wear a respirator appropriate for the type of dust generated. Contact with or inhalation of the dust may cause allergic reactions and/or respiratory or other diseases to the operator or bystanders. Certain kinds of dust are classified as carcinogenic such as oak and beech dust, especially in conjunction with additives for wood conditioning (chromate, wood preservative). Material containing asbestos may be handled only by specialists.
- ▶ Take breaks between working and do physical exercises to improve the blood circulation in your fingers. Exposure to vibration during long periods of work can lead to disorders of the blood vessels and nervous system in the fingers, hands and wrists.

Electrical safety

- ▶ Before beginning work, check the working area for concealed electric cables or gas and water pipes. External metal parts of the power tool may give you an electric shock if you damage an electric cable accidentally.



Careful handling and use of electric tools

- ▶ Secure the workpiece. A workpiece clamped in a vice or secured by some other clamping device is more secure than when held only by hand.

Special safety instructions for jig saws

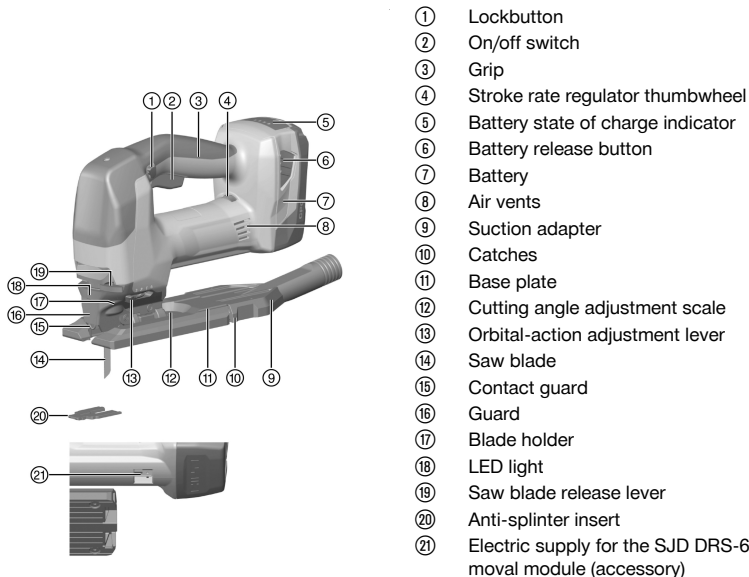
- ▶ Always guide the product away from your body when working with it.
- ▶ Never position your hands ahead of or on the saw blade.
- ▶ Never cut into unknown materials and keep the line of cut above and below the workpiece free of obstacles.
- ▶ Never reach or grip below the workpiece while cutting.

2.4 Careful handling and use of batteries

- ▶ Observe the special guidelines applicable to the transport, storage and use of lithium-ion batteries.
- ▶ Do not expose batteries to high temperatures, direct sunlight or fire.
- ▶ Do not disassemble, crush or incinerate batteries and do not subject them to temperatures over 80 °C (176 °F).
- ▶ Do not use or charge batteries that have suffered mechanical impact, have been dropped from a height or show signs of damage. In this case, always contact your **Hilti Service**.
- ▶ If the battery is too hot to touch it may be defective. Put the battery in a place where it is clearly visible and where there is no risk of fire, at an adequate distance from flammable materials. Allow the battery to cool down. If it is still too hot to touch after an hour, the battery is faulty. Contact **Hilti Service**.

3 Description

3.1 Product overview



- ① Lockbutton
- ② On/off switch
- ③ Grip
- ④ Stroke rate regulator thumbwheel
- ⑤ Battery state of charge indicator
- ⑥ Battery release button
- ⑦ Battery
- ⑧ Air vents
- ⑨ Suction adapter
- ⑩ Catches
- ⑪ Base plate
- ⑫ Cutting angle adjustment scale
- ⑬ Orbital-action adjustment lever
- ⑭ Saw blade
- ⑮ Contact guard
- ⑯ Guard
- ⑰ Blade holder
- ⑱ LED light
- ⑲ Saw blade release lever
- ⑳ Anti-splinter insert
- ㉑ Electric supply for the SJD DRS-6A dust removal module (accessory)

3.2 Intended use

The product described is a hand-held cordless orbital-action jig saw. It is designed to be used for cutting plastic, wood and metal as well as drywall board and gypsum fiberboard.

The product is equipped with a removable connector for an optional vacuum cleaner / dust removal hose. This connector is designed to fit standard suction hoses. In order to connect the suction hose to the product, use of a suitable adapter may be necessary.



- ▶ Use only **Hilti** Li-ion batteries of the B 22 series with this product.
- ▶ Use only **Hilti** battery chargers of the C4/36 series to charge these batteries.
- ▶ Use this product only with saw blades equipped with a T-shank.


3.3 Possible misuse

- Use of the product to cut off tree branches or to cut the trunk of a tree is not permissible.
- Use of the product to cut hazardous materials is not permissible.
- Use of the product in a damp or wet environment is not permissible.
- ▶ Keep objects such as paper clips, coins, keys, nails, screws, or other small metal objects, which could cause a short circuit, away from the electric power supply for the dust removal module. A short circuit between the contacts may result in burning injuries or fire.

3.4 State of charge display

The charge state of the Li-ion battery is displayed after pressing one of the release buttons lightly (press only until slight resistance is felt).

Status	Meaning
4 LEDs light.	Charge state: 75 % to 100 %
3 LEDs light.	Charge state: 50 % to 75 %
2 LEDs light.	Charge state: 25 % to 50 %
1 LED lights.	Charge state: 10 % to 25 %
1 LED blinks.	Charge state: < 10 %

 Battery charge status cannot be displayed while the control switch is pressed and for up to 5 seconds after releasing the control switch. If the battery charge state LEDs blink, please refer to the information given in the Troubleshooting section.

3.5 Dust blower

The dust blower directs a jet of air toward the saw blade in order to keep the cutting line free of dust.

3.6 Stroke rate

The stroke rate can be adjusted by turning the thumbwheel. Position 1 corresponds to 800 strokes per minute and position 6 corresponds to 3000 strokes per minute.

Depending on how far the on/off switch is pressed, the stroke rate begins at 75 strokes per minute and increases to the stroke rate set by the thumbwheel.

3.7 4 orbital-action settings

The 4 orbital-action settings allow cutting performance and quality of cut to be adjusted to suit the material to be cut. The orbital-action adjustment lever is used to set the power tool to one of the 4 settings.

The lower the orbital-action setting, the finer and cleaner the cut edges will be. The optimum setting can be determined by carrying out practical tests.

Status	Meaning
Position 0	No orbital action
Position 1	Low orbital action
Position 2	Medium orbital action
Position 3	High orbital action

3.8 Lockbutton

The lockbutton has three positions.

- The middle position is the normal position: The lockbutton can be seen on the left and on the right. In this position, for example, the stroke rate can be adjusted.
The on/off switch can be pressed and released.



- The lockbutton can be seen only on the left: Transport position (the tool cannot start)
The on/off switch is locked and cannot be pressed.
- The lockbutton can be seen only on the right: After the tool has been switched on (on/off switch fully pressed), the lockbutton can be pushed to the right to lock the switch in the “on” position. To release the lock, press the on/off button again.

3.9 Anti-splinter insert

The product can be equipped with an anti-splinter insert.

The anti-splinter insert helps prevent splintering on the surface of wood materials when cutting.

3.10 Automatic switch-off

If the on/off switch is pressed continuously for longer than 15 minutes (e.g. during transport or storage), the tool switches itself off automatically. This prevents deep discharge of the battery.

3.11 SJD DRS-6A dust removal module (accessory)

The SJD DRS-6A dust removal module is an accessory for the **Hilti** SJD 6-A22 orbital-action jig saw.

It collects a high percentage of the dust generated and can be quickly and easily attached to the orbital-action jig saw. The dust removal module is equipped with a suction fan. This fan is driven by its own motor. When the orbital-action jig saw is switched on the dust removal module draws its electric power from the power tool's battery. The dust removal module is not suitable for working on materials containing asbestos, metal dust and glass- or carbon-fiber dust. Use of the dust removal module to pick up damp or explosive dust, chips or shavings is not permissible.

3.12 Items supplied

Orbital-action jig saw with saw blade, guard, dust removal adapter, anti-splinter insert, operating instructions, hex key.

You can find other system products approved for your product at your local **Hilti** Center or online at: www.hilti.com

4 Orbital-action jig saw

	SJD 6-A22
Rated voltage	21.6 V
Weight including B228.0 battery	7.1 lb (3.2 kg)
Stroke length	28 mm
Stroke rate under no load (n.)	75 /min ... 3,000 /min
Maximum cutting performance in wood	5.9 in (150 mm)
Maximum cutting performance in aluminium	1.0 in (25 mm)
Maximum cutting performance in unalloyed steel	0.4 in (10 mm)
Cutting angle (left/right)	0° ... 45°
Suction adapter outside diameter	27.5 mm
Storage temperature	-4 °F ... 158 °F (-20 °C ... 70 °C)
Ambient temperature for operation	1 °F ... 140 °F (-17 °C ... 60 °C)
Battery charging starting temperature	14 °F ... 113 °F (-10 °C ... 45 °C)



	SJD 6-A22
Storage temperature	-4 °F ... 104 °F (-20 °C ... 40 °C)
Ambient temperature for operation	1 °F ... 140 °F (-17 °C ... 60 °C)

5 Battery

Battery operating voltage	21.6 V
Ambient temperature for operation	1 °F ... 140 °F (-17 °C ... 60 °C)
Storage temperature	-4 °F ... 104 °F (-20 °C ... 40 °C)
Battery charging starting temperature	14 °F ... 113 °F (-10 °C ... 45 °C)

6 Preparations at the workplace

WARNING

Risk of injury by inadvertent starting!

- ▶ Before inserting the battery, make sure that the product is switched off.
- ▶ Remove the battery before making any adjustments to the power tool or before changing accessories.

Observe the safety instructions and warnings in this documentation and on the product.

6.1 Charging the battery

1. Before charging the battery, read the operating instructions for the charger.
2. Make sure that the contacts on the battery and the contacts on the charger are clean and dry.
3. Use an approved charger to charge the battery. → page 5

6.2 Inserting the battery

WARNING

Risk of injury by short circuit or falling battery!

- ▶ Before inserting the battery, make sure that the contacts on the battery and the contacts on the product are free of foreign matter.
- ▶ Make sure that the battery always engages correctly.

1. Charge the battery fully before using it for the first time.
2. Push the battery into the product until it engages with an audible click.
3. Check that the battery is seated securely.

6.3 Removing the battery

1. Press the battery release buttons.
2. Remove the battery from the tool.

6.4 Fitting the saw blade

1. Remove the battery.
2. Push the saw blade (teeth facing the cutting direction) into the blade holder until it engages.
3. Grip and pull the saw blade to check that it is held securely.

6.5 Fitting the guard

1. Remove the battery.



2. Push the guard onto the power tool from the front until it clicks into place.



The guard can be fitted only when the base plate is in the normal position (zero degrees position).

6.6 Fitting the dust removal adapter

1. Push the dust removal adapter on to the base plate horizontally from the rear until both catches engage at the side.
2. Connect the vacuum cleaner hose to the dust removal adapter.

7 Operation

Observe the safety instructions and warnings in this documentation and on the product.

7.1 Using a dust extractor



The dust extractor reduces dust emissions, increases working safety by providing better visibility of the cutting line and reduces exposure to dust and wood chips at the workplace.

1. Fit the guard. → page 8
2. Always use a dust extractor when working over a lengthy period with wood or materials that can cause high dust concentrations.

7.2 Switching on

1. Insert the battery.



A safety interlock ensures that the tool doesn't start when the tool is first switched on and the battery then fitted, i.e. slid into place on the tool.

2. Check that the lockbutton is in the middle position.
3. Press the on/off switch.
4. To lock the switch in the "on" position, then push the lockbutton to the right.
5. To release the lockbutton, press the on/off switch again.
 - ▶ The lockbutton then returns to the middle position.

7.3 Plunge cutting

1. Set the orbital-action adjusting lever to position 0.
2. Bring the front edge of the base plate into contact with the workpiece.
3. Hold the product securely and press the on/off switch.
4. Press the product firmly against the workpiece and begin the plunge cut by slowly reducing the angle of attack.
5. Once the blade has penetrated right through the workpiece, bring the product into its normal working position.
 - ▶ The base plate then lies flat on the working surface.
6. Continue to saw along the cutting line.

7.4 Switching off

- ▶ Release the on/off switch.



To lock the switch in the "off" position, push the lockbutton to the left.

8 Removal

8.1 Removing the suction adapter

1. Press the two retaining catches inwards.
2. Pull the suction adapter away from the base plate toward the rear.



3. Pull the vacuum cleaner hose off the suction adapter.

8.2 Removing the guard

1. Remove the battery.
2. Tilt the guard slightly and pull it off toward the front.

8.3 Ejecting the saw blade

WARNING

Risk of injury. Uncontrolled ejection of the saw blade can lead to injury.

- ▶ When ejecting the saw blade, hold the product in such a way that it presents no risk of injury to persons or animals.

1. Remove the battery.
2. Push the saw blade release lever to the side, as far as it will go.
 - ▶ The saw blade will be released and ejected.

9 Care and maintenance

WARNING

Risk of injury with battery inserted !

- ▶ Always remove the battery before carrying out care and maintenance tasks!

Care of the product

- Carefully remove stubborn dirt.
- Carefully clean the air vents, if present, with a dry, soft brush.
- Use only a slightly damp cloth to clean the housing. Do not use cleaning agents containing silicone as these can attack the plastic parts.
- Use a dry, clean cloth to clean the contacts of the product.

Care of the Li-ion batteries

- Never use a battery with clogged air vents. Clean the air vents carefully using a dry, soft brush.
- Avoid unnecessary exposure of the battery to dust and dirt. Never expose the battery to high levels of moisture (e.g. by being dipped in water or left in the rain).

If a battery has been soaked by moisture, treat it as a damaged battery. Isolate it in a non-flammable container and consult **Hilti Service**.
- Keep the battery free of extraneous oil and grease. Do not permit dust or dirt to accumulate unnecessarily on the battery. Clean the battery with a dry, soft brush or a clean, dry cloth. Do not use cleaning agents containing silicone as these can attack the plastic parts.

Do not touch the contacts of the battery and do not remove the factory-applied grease from the contacts.
- Use only a slightly damp cloth to clean the housing. Do not use cleaning agents containing silicone as these can attack the plastic parts.

Maintenance

- Check all visible parts and controls for signs of damage at regular intervals and make sure that they all function correctly.
- Do not use the product if signs of damage are found or if parts malfunction. Immediately have the product repaired by **Hilti Service**.
- After cleaning and maintenance, install all guards and protective devices and check that they are in full working order.



To help ensure safe and reliable operation, use only genuine Hilti spare parts and consumables. Spare parts, consumables and accessories approved by **Hilti** for use with your product can be found at your **Hilti Store** or online at: www.hilti.group

9.1 Cleaning the suction adapter

1. Remove the battery.
2. Remove the suction adapter. → page 9



3. Clean the suction adapter.
4. Check that the catches are undamaged.
5. Fit the dust removal adapter. → page 9

9.2 Cleaning the saw blade

1. Clean resin deposits from used saw blades at regular intervals.
2. Place the saw blades in a bath of kerosene (paraffin oil) or commercially-available resin remover for 24 hours.

10 Transport and storage of cordless tools and batteries

Transport



CAUTION

Accidental starting during transport !

- ▶ Always transport your products with the batteries removed!
- ▶ Remove the battery/batteries.
- ▶ Never transport batteries loose and unprotected. During transport, batteries should be protected from excessive shock and vibration and isolated from any conductive materials or other batteries that may come in contact with the terminals and cause a short circuit. **Comply with the locally applicable regulations for transporting batteries.**
- ▶ Do not send batteries through the mail. Consult your shipper for instructions on how to ship undamaged batteries.
- ▶ Prior to each use and before and after prolonged transport, check the product and the batteries for damage.

Storage



WARNING

Accidental damage caused by defective or leaking batteries !

- ▶ Always store your products with the batteries removed!
- ▶ Store the product and the batteries in a cool and dry place. Comply with the temperature limits stated in the technical data.
- ▶ Do not store batteries on the charger. Always remove the battery from the charger when the charging operation has completed.
- ▶ Never leave batteries in direct sunlight, on sources of heat, or behind glass.
- ▶ Store the product and batteries where they cannot be accessed by children or unauthorized persons.
- ▶ Prior to each use and before and after prolonged storage, check the product and the batteries for damage.

11 Troubleshooting

If the trouble you are experiencing is not listed in this table or you are unable to remedy the problem by yourself, please contact **Hilti** Service.

Trouble or fault	Possible cause	Action to be taken
The saw blade drops out.	The saw blade is not correctly engaged.	<ul style="list-style-type: none"> ▶ Repeat the insertion procedure. ▶ Make sure that the blade holder is fully open and that the saw blade is pushed all the way in against the spring resistance.
	The clamping system is clogged with foreign matter.	<ul style="list-style-type: none"> ▶ Clean out the blade holder.
The saw blade cannot be inserted.	The clamping system is clogged with foreign matter.	<ul style="list-style-type: none"> ▶ Clean out the blade holder.
The orbital action cannot be adjusted.	Foreign matter in the orbital-action adjusting lever groove.	<ul style="list-style-type: none"> ▶ Clean out the orbital-action adjusting lever groove.



Trouble or fault	Possible cause	Action to be taken
The orbital action doesn't work.	The orbital-action mechanism is clogged with foreign matter.	▶ Check whether foreign matter is present in the area of the orbital-action fork and clean it out.
	The orbital-action adjusting lever is in position "0".	▶ Adjust it to the desired setting.
The battery runs down more quickly than usual.	Very low ambient temperature.	▶ Allow the battery to warm up slowly to room temperature.
The battery doesn't engage with an audible click.	The retaining lugs on the battery are dirty.	▶ Clean the retaining lugs and refit the battery.
1 LED blinks. The power tool does not work.	Battery is discharged.	▶ Change the battery and charge the empty battery.
	The battery is too hot or too cold.	▶ Allow the battery to cool down or warm up slowly to room temperature.
All 4 LEDs blink. The power tool does not work.	The tool has been overloaded.	▶ Release the on/off switch and then press it again. Then allow the power tool to run under no load for approx. 30 seconds.
The power tool or battery gets very hot.	Electrical fault.	▶ Switch the power tool off immediately, remove the battery, keep it under observation, allow it to cool down and contact Hilti Service .

12 Disposal

WARNING

Risk of injury due to incorrect disposal! Health hazards due to escaping gases or liquids.

- ▶ DO NOT send batteries through the mail!
- ▶ Cover the terminals with a non-conductive material (such as electrical tape) to prevent short circuiting.
- ▶ Dispose of your battery out of the reach of children.
- ▶ Dispose of the battery at your **Hilti Store**, or consult your local governmental garbage disposal or public health and safety resources for disposal instructions.

Most of the materials from which **Hilti** products are manufactured can be recycled. The materials must be correctly separated before they can be recycled. In many countries, your old tools, machines or appliances can be returned to **Hilti** for recycling. Ask **Hilti Service** or your Hilti sales representative for further information.



- ▶ Do not dispose of power tools, electronic equipment or batteries as household waste!

13 FCC statement (applicable in US) / IC statement (applicable in Canada)

This device complies with Part 15 of the FCC Rules and RSS-210 of IC. Operation is subject to the following two conditions:

1. this device may not cause harmful interference, and
2. this device must accept any interference received, including interference that may cause undesired operation.

14 Manufacturer's warranty

- ▶ Please contact your local **Hilti** representative if you have questions about the warranty conditions.



Mode d'emploi original

1 Indications relatives au mode d'emploi

1.1 À propos de ce mode d'emploi

- Avant de mettre l'appareil en marche, lire impérativement ce mode d'emploi. C'est la condition préalablement requise pour assurer la sécurité du travail et un maniement sans perturbations.
- Bien respecter les consignes de sécurité et les avertissements du présent mode d'emploi ainsi que celles figurant sur le produit.
- Toujours conserver le mode d'emploi à proximité du produit et uniquement transmettre le produit à des tiers accompagné de ce mode d'emploi.

1.2 Explication des symboles

1.2.1 Avertissements

Les avertissements attirent l'attention sur des dangers liés à l'utilisation du produit. Les termes de signalisation suivants sont utilisés :

 **DANGER**

DANGER !

- ▶ Pour un danger imminent qui peut entraîner de graves blessures corporelles ou la mort.

 **AVERTISSEMENT**

AVERTISSEMENT !

- ▶ Pour un danger potentiel qui peut entraîner de graves blessures corporelles ou la mort.





 **ATTENTION**

ATTENTION !

- ▶ Pour une situation potentiellement dangereuse pouvant entraîner des blessures corporelles ou des dégâts matériels.


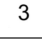


1.2.2 Symboles dans la documentation

Les symboles suivants sont utilisés dans la présente documentation :

	Lire le mode d'emploi avant d'utiliser l'appareil
	Pour des conseils d'utilisation et autres informations utiles
	Maniement des matériaux recyclables
	Ne pas jeter les appareils électriques et les accus dans les ordures ménagères

1.2.3 Symboles dans les illustrations

Les symboles suivants sont utilisés dans les illustrations :

	Ces chiffres renvoient à l'illustration correspondante au début du présent mode d'emploi
	La numérotation détermine la séquence des étapes de travail dans l'image et peut se différencier de celles des étapes de travail dans le texte
	Les numéros de position sont utilisés dans l'illustration Vue d'ensemble et renvoient aux numéros des légendes dans la section Vue d'ensemble du produit
	Ce signe doit inviter à manier le produit en faisant particulièrement attention.



1.3 Symboles spécifiques au produit

1.3.1 Symboles sur le produit

Les symboles suivants peuvent être utilisés sur le produit :

	Cadence de coupe nominale
	Courant continu
	Le produit prend en charge la transmission de données sans fil qui est compatible avec les plates-formes iOS et Android.
Li-Ion	Accu lithium-ions
	Série de type d'accu Li-Ion Hilti utilisée. Observer les instructions au chapitre Utilisation conforme à l'usage prévu .
	Ne jamais utiliser l'accu comme outil de percussion.
	Ne pas laisser tomber l'accu. Ne pas utiliser d'accu ayant subi un choc ou d'autres dommages.

1.4 Informations produit

Les produits sont destinés aux professionnels et ne doivent être utilisés, entretenus et réparés que par un personnel autorisé et formé. Ce personnel doit être au courant des dangers inhérents à l'utilisation de l'appareil. Le produit décrit et ses accessoires peuvent s'avérer dangereux s'ils sont utilisés de manière incorrecte par un personnel non qualifié ou de manière non conforme à l'usage prévu.

La désignation du modèle et le numéro de série figurent sur sa plaque signalétique.

- Inscrivez le numéro de série dans le tableau suivant. Toujours fournir ces informations en cas de questions relatives au produit pour communiquer avec notre représentant ou agence Hilti.

Caractéristiques produit

Scie sauteuse pendulaire	SJD 6-A22
Génération	01
N° de série	

1.5 Déclaration de conformité

Nous déclarons sous notre seule et unique responsabilité que le produit décrit ici est conforme aux directives et normes en vigueur. Une copie de l'attestation délivrée par l'organisme de certification se trouve en fin de la présente documentation.

Pour obtenir les documentations techniques, s'adresser à :

Hilti Entwicklungsgesellschaft mbH | Zulassung Geräte | Hiltistraße 6 | 86916 Kaufering, DE

2 Sécurité

2.1 Indications générales de sécurité pour les appareils électriques

⚠ AVERTISSEMENT Lire toutes les consignes de sécurité et instructions, illustrations et caractéristiques techniques, qui accompagnent cet outil électroportatif. Tout manquement à l'observation des instructions suivantes risque de provoquer une électrocution, un incendie et/ou de graves blessures.

Les consignes de sécurité et instructions doivent être intégralement conservées pour les utilisations futures.

La notion d'« outil électroportatif » mentionnée dans les consignes de sécurité se rapporte à des outils électriques raccordés au secteur (avec câble d'alimentation) et à des outils électriques sur accu (sans câble d'alimentation).

Sécurité sur le lieu de travail

- **Conserver la zone de travail propre et bien éclairée.** Un lieu de travail en désordre ou mal éclairé augmente le risque d'accidents.



- ▶ **Ne pas faire fonctionner les outils électriques en atmosphère explosive et où se trouvent des liquides, des gaz ou poussières inflammables.** Les outils électriques produisent des étincelles qui peuvent enflammer les poussières ou les fumées.
- ▶ **Maintenir les enfants et les personnes présentes à l'écart pendant l'utilisation de l'outil électroportatif.** En cas d'inattention il y a risque de perdre le contrôle de l'appareil.

Sécurité relative au système électrique

- ▶ **La fiche de secteur de l'outil électroportatif doit être adaptée à la prise de courant. Ne jamais modifier la fiche de quelque façon que ce soit. Ne pas utiliser d'adaptateurs avec des outils électriques à branchement de terre.** Des fiches non modifiées et des prises de courant adaptées réduiront le risque de choc électrique.
- ▶ **Éviter le contact physique avec des surfaces mises à la terre tels que tuyaux, radiateurs, cuisinières et réfrigérateurs.** Il y a un risque élevé de choc électrique au cas où votre corps serait relié à la terre.
- ▶ **Ne pas exposer les outils électroportatifs à la pluie ou à l'humidité.** La pénétration d'eau à l'intérieur d'un outil électroportatif augmentera le risque d'un choc électrique.
- ▶ **Ne jamais utiliser le câble de raccordement à d'autres fins que celles prévues, telles que pour porter, accrocher ou débrancher l'outil électroportatif de la prise de courant. Maintenir le câble de raccordement à l'écart de la chaleur, des parties grasses, des bords tranchants ou des parties en mouvement.** Des câbles de raccordement endommagés ou emmêlés augmentent le risque de choc électrique.
- ▶ **Si l'outil électroportatif est utilisé à l'extérieur, utiliser uniquement des câbles de rallonge homologués pour les applications extérieures.** L'utilisation d'un câble de rallonge homologué pour les applications extérieures réduit le risque d'un choc électrique.
- ▶ **Si l'utilisation de l'outil électrique dans un environnement humide ne peut pas être évitée, utiliser un interrupteur de protection contre les courants de court-circuit.** L'utilisation d'un tel interrupteur de protection réduit le risque d'une décharge électrique.

Sécurité des personnes

- ▶ **Rester vigilant, surveiller ce que l'on fait. Faire preuve de bon sens en utilisant l'outil électroportatif. Ne pas utiliser l'outil électroportatif en étant fatigué ou sous l'emprise de l'alcool, de drogues ou de médicaments.** Un moment d'inattention lors de l'utilisation de l'outil électroportatif peut entraîner des blessures graves.
- ▶ **Utiliser un équipement de protection personnel et toujours porter une protection pour les yeux.** Les équipements de protection personnels tels que masque antipoussière, chaussures de sécurité antidérapantes, casque de protection ou protection acoustique suivant l'utilisation de l'outil électroportatif, réduiront le risque de blessures des personnes.
- ▶ **Éviter une mise en service par mégarde. S'assurer que l'outil électroportatif est arrêté avant de brancher à la source de courant et/ou à l'accu, de le prendre ou de le porter.** Le fait de porter l'outil électroportatif avec le doigt sur l'interrupteur ou de brancher l'appareil sur la source de courant lorsque l'interrupteur est en position de fonctionnement peut entraîner des accidents.
- ▶ **Retirer tout outil de réglage ou toute clé avant de mettre l'outil électroportatif en fonctionnement.** Une clé ou un outil se trouvant sur une partie en rotation peut causer des blessures.
- ▶ **Adopter une bonne posture. Veiller à toujours garder une position stable et équilibrée.** Cela permet un meilleur contrôle de l'outil électroportatif dans des situations inattendues.
- ▶ **S'habiller de manière adaptée. Ne pas porter de vêtements amples ni de bijoux. Garder les cheveux, les vêtements et les gants à distance des parties en mouvement.** Des vêtements amples, des bijoux ou des cheveux longs peuvent être happés par des parties en mouvement.
- ▶ **Si des dispositifs servant à aspirer ou à recueillir les poussières doivent être utilisés, s'assurer qu'ils sont effectivement raccordés et correctement utilisés.** L'utilisation d'un dispositif d'aspiration de la poussière peut réduire les risques dus aux poussières.
- ▶ **Ne pas sous-estimer les mesures de sécurité à prendre et ne pas ignorer sciemment les règles de sécurité applicables aux outils électriques, même si l'on est utilisateur chevronné après de fréquentes utilisations de l'outil électroportatif.** Un manque d'attention peut conduire à de graves blessures en quelques fractions de seconde.

Utilisation et maniement de l'outil électroportatif

- ▶ **Ne pas forcer l'appareil. Utiliser l'outil électroportatif adapté au travail à effectuer.** Un outil électroportatif approprié réalisera mieux le travail et de manière plus sûre au régime pour lequel il a été conçu.
- ▶ **Ne pas utiliser d'outil électroportatif dont l'interrupteur est défectueux.** Tout outil électroportatif qui ne peut plus être mis en ou hors fonctionnement est dangereux et doit être réparé.



- ▶ **Débrancher la fiche de la prise de courant et/ou l'accu amovible avant d'effectuer des réglages sur l'appareil, de changer les accessoires, ou de ranger l'appareil.** Cette mesure de précaution empêche une mise en fonctionnement par mégarde de l'outil électroportatif.
- ▶ **Conserver les outils électroportatifs non utilisés hors de portée des enfants. Ne permettre l'utilisation de l'appareil à aucune personne qui ne soit pas familiarisée avec celui-ci ou qui n'a pas lu ces instructions.** Les outils électroportatifs sont dangereux lorsqu'ils sont entre les mains de personnes non initiées.
- ▶ **Prendre soin des outils électroportatifs et des accessoires. Vérifier que les parties en mouvement fonctionnent correctement et qu'elles ne sont pas coincées, et contrôler si des parties sont cassées ou endommagées de sorte que le bon fonctionnement de l'outil électroportatif s'en trouve entravé. Faire réparer les parties endommagées avant d'utiliser l'appareil.** De nombreux accidents sont dus à des outils électroportatifs mal entretenus.
- ▶ **Garder les outils de coupe affûtés et propres.** Des outils destinés à couper correctement entretenus avec des arêtes de coupe tranchantes sont moins susceptibles de bloquer et sont plus faciles à contrôler.
- ▶ **L'outil électroportatif, les accessoires, les outils amovibles, etc. doivent être utilisés conformément à ces instructions. Tenir également compte des conditions de travail et du travail à réaliser.** L'utilisation des outils électroportatifs à d'autres fins que celles prévues peut entraîner des situations dangereuses.
- ▶ **Veiller à ce que les poignées et surfaces de préhension soient toujours être sèches, propres et exemptes de traces de graisse ou d'huile.** Avec des poignées et surfaces de préhension glissantes, la sécurité et le contrôle de l'outil électroportatif ne peuvent être assurés dans des situations inopinées.

Utilisation et manieient de l'outil sur accu

- ▶ **Ne charger les accus que dans des chargeurs recommandés par le fabricant.** Si un chargeur approprié à un type spécifique d'accus est utilisé avec des accus non recommandés pour celui-ci, il y a risque d'incendie.
- ▶ **Dans les outils électroportatifs, utiliser uniquement les accus spécialement prévus pour ceux-ci.** L'utilisation de tout autre accu peut entraîner des blessures et des risques d'incendie.
- ▶ **Tenir l'accu non utilisé à l'écart de tous objets métalliques tels qu'agrafes, pièces de monnaie, clés, clous, vis ou autres, étant donné qu'un pontage peut provoquer un court-circuit.** Un court-circuit entre les contacts d'accu peut provoquer des brûlures ou un incendie.
- ▶ **En cas d'utilisation abusive, du liquide peut sortir de l'accu. Éviter tout contact avec ce liquide. En cas de contact par mégarde, rincer soigneusement avec de l'eau. Au cas où le liquide rentrerait dans les yeux, consulter en plus un médecin.** Le liquide qui sort de l'accu peut entraîner des irritations de la peau ou causer des brûlures.
- ▶ **Ne pas utiliser d'accu endommagé ou modifié.** Des accus endommagés ou modifiés peuvent avoir un comportement imprévisible et provoquer un incendie, une explosion ou engendrer un risque de blessures.
- ▶ **Ne jamais exposer l'accu au feu ou à des températures trop élevées.** Le feu ou des températures supérieures à 130 °C (265 °F) peuvent provoquer une explosion.
- ▶ **Suivre toutes les instructions de charge et ne jamais charger l'accu ou l'outil sur accu hors de la plage de températures spécifiée dans le manuel d'utilisation.** Une charge inappropriée ou hors de la plage de températures spécifiée risque d'endommager l'accu et accroître le risque d'incendie.

Service

- ▶ **L'outil électroportatif doit uniquement être réparé par un personnel qualifié et seulement avec des pièces de rechange d'origine.** Ceci permet d'assurer la sécurité de l'appareil.
- ▶ **Ne jamais entretenir d'accus endommagés.** Toutes les opérations d'entretien sur des accus doivent exclusivement être réalisées par le fabricant ou un prestataire de service client agréé.

2.2 Consignes de sécurité pour le sciage avec une lame de scie effectuant un mouvement de va-et-vient

- ▶ **Tenir l'outil électroportatif par les surfaces isolées des poignées lors des travaux pendant lesquels l'outil amovible utilisé risque de toucher des câbles électriques cachés.** Le contact avec un câble sous tension risque aussi de mettre les parties métalliques de l'appareil sous tension et de provoquer une décharge électrique.
- ▶ **Fixer et sécuriser l'outil à l'aide d'un serre-joint ou de tout autre manière sur un support stable.** Si l'outil est tenu seulement avec la main ou contre le corps, il reste instable ce qui peut entraîner la perte de contrôle.



2.3 Consignes de sécurité supplémentaires

Sécurité des personnes

- ▶ Utiliser l'appareil uniquement dans un état techniquement impeccable.
- ▶ Ne jamais entreprendre de manipulation ni de modification sur l'appareil.
- ▶ Tenir les poignées toujours sèches et propres.
- ▶ Lors de l'utilisation de l'appareil, porter des lunettes de protection adéquates, un casque antibruit et des gants de protection.
- ▶ Porter des gants de protection pour changer d'outil amovible. Risque de blessures par coupure et de brûlures au contact avec l'outil amovible.
- ▶ Porter des lunettes de protection. Les éclats de matière peuvent entraîner des blessures corporelles et aux yeux.
- ▶ Ne jamais regarder directement dans la lumière (LED) et ne jamais orienter la lumière directement dans le visage d'une personne. Il y a risque d'éblouissement.
- ▶ Avant le début du travail, prendre connaissance de la classe de risque de la poussière générée lors des travaux. Utiliser un aspirateur avec une classification de sécurité autorisée officiellement et conforme aux dispositions locales concernant les poussières.
- ▶ Veiller à ce que le poste de travail soit bien ventilé et porter, le cas échéant, un masque de protection respiratoire adapté au type de poussières. Le contact ou l'aspiration de poussière peut provoquer des réactions allergiques et/ou des maladies respiratoires de l'utilisateur ou de toute personne se trouvant à proximité. Certaines poussières, telles que des poussières de chêne ou de hêtre, sont réputées être cancérigènes, en particulier lorsqu'elles sont combinées à des additifs destinés au traitement du bois (chromate, produit de protection du bois). Les matériaux contenant de l'amiante doivent seulement être manipulés par un personnel spécialisé.
- ▶ Faire régulièrement des pauses et des exercices pour favoriser l'irrigation sanguine dans les doigts. En cas de travaux prolongés, les vibrations peuvent perturber la circulation dans les vaisseaux sanguins ou le système nerveux dans les doigts, les mains ou le poignet.

Sécurité relative au système électrique

- ▶ Avant d'entamer le travail, vérifier qu'il n'y a pas de câbles ou gaines électriques, tuyaux de gaz ou d'eau cachés dans la zone d'intervention. Toutes pièces métalliques extérieures de l'appareil sont susceptibles de provoquer une décharge électrique si un câble électrique est endommagé par inadvertance.

Utilisation et emploi soigneux de l'outil électroportatif

- ▶ Bien fixer la pièce. Il est plus sûr de maintenir une pièce à travailler à l'aide d'un dispositif de serrage ou d'un étau qu'à la main.

Consignes de sécurité spécifiques aux scies sauteuses

- ▶ Lors de la coupe, toujours guider le produit de sorte qu'il s'éloigne de soi.
- ▶ Ne jamais laisser ses mains devant ou sur la lame de scie.
- ▶ Ne pas scier dans des sous-sols de nature inconnue et libérer la surface de coupe de tout obstacle en haut et en bas.
- ▶ Pendant la coupe, ne pas intervenir en dessous de la pièce à travailler.

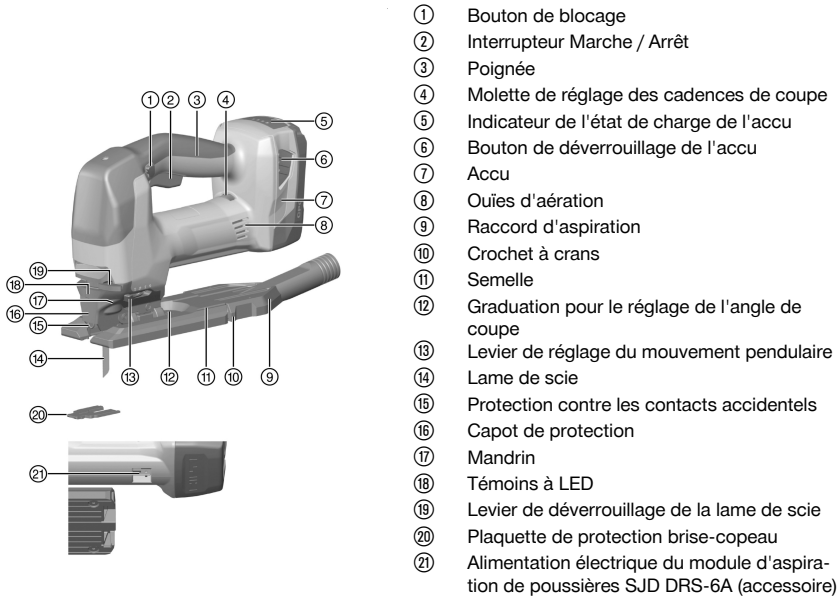
2.4 Utilisation et emploi soigneux des accus

- ▶ Respecter les directives spécifiques relatives au transport, au stockage et à l'utilisation des accus Li-Ion.
- ▶ Ne pas exposer les accus à des températures élevées, ni au rayonnement direct du soleil ni au feu.
- ▶ Les accus ne doivent pas être démontés, écrasés, chauffés à une température supérieure à 80 °C (176 °F) ou jetés au feu.
- ▶ Ne jamais utiliser ni charger d'accus qui ont subi un choc électrique, qui sont tombés de plus d'un mètre ou qui ont été endommagés d'une manière quelconque. Si tel est le cas, il convient de contacter le **S.A.V. Hilti**.
- ▶ Si l'accu est trop chaud pour être touché, il est probablement défectueux. Placer l'accu dans un endroit bien visible, non inflammable et suffisamment éloigné de matériaux inflammables. Laisser l'accu refroidir. Si, après une heure, l'accu est toujours trop chaud pour être saisi, c'est qu'il est défectueux. Contacter le **S.A.V. Hilti**.



3 Description

3.1 Vue d'ensemble du produit



- ① Bouton de blocage
- ② Interrupteur Marche / Arrêt
- ③ Poignée
- ④ Molette de réglage des cadences de coupe
- ⑤ Indicateur de l'état de charge de l'accu
- ⑥ Bouton de déverrouillage de l'accu
- ⑦ Accu
- ⑧ Ouïes d'aération
- ⑨ Raccord d'aspiration
- ⑩ Crochet à crans
- ⑪ Semelle
- ⑫ Graduation pour le réglage de l'angle de coupe
- ⑬ Levier de réglage du mouvement pendulaire
- ⑭ Lame de scie
- ⑮ Protection contre les contacts accidentels
- ⑯ Capot de protection
- ⑰ Mandrin
- ⑱ Témoins à LED
- ⑲ Levier de déverrouillage de la lame de scie
- ⑳ Plaquette de protection brise-copeau
- ㉑ Alimentation électrique du module d'aspiration de poussières SJD DRS-6A (accessoire)

3.2 Utilisation conforme à l'usage prévu

Le produit décrit est une scie sauteuse pendulaire sans fil à guidage manuel. Elle est conçue pour scier des matières plastiques, du bois, des métaux ainsi que des plaques de plâtre et d'aggloméré.

Le produit est équipé d'un embout de raccordement amovible pour un aspirateur/dispositif d'aspiration de poussières en option, prévu pour les tuyaux flexibles d'aspiration courants. Un adaptateur approprié peut être requis pour raccorder le tuyau d'aspiration au produit.

- ▶ Pour ce produit, utiliser exclusivement les accus Li-Ion **Hilti** de la série B 22.
- ▶ Pour ces accus, utiliser exclusivement les chargeurs **Hilti** de la série C4/36.
- ▶ Pour ce produit, utiliser exclusivement des lames de scie avec embout en T (emmanchement à simple accroche).

3.3 Mauvaise utilisation possible

- Le produit ne doit pas être utilisé pour scier des branches ou des troncs d'arbre.
- Le produit ne doit pas être utilisé pour travailler des matériaux nocifs pour la santé.
- Le produit ne doit pas être utilisé pour des interventions en milieu humide.
- ▶ Tenir la source d'alimentation du module récupérateur de poussières à l'écart de tous objets métalliques tels qu'agrafes, pièces de monnaie, clés, clous, vis ou autres, étant donné qu'un pontage peut provoquer un court-circuit. Un court-circuit entre les contacts peut provoquer des brûlures ou un incendie.

3.4 Indicateur de l'état de charge

Lors de l'utilisation de l'accu Li-Ion, l'état de charge peut être visualisé en appuyant légèrement sur un des boutons de déverrouillage (au maximal jusqu'à une résistance perceptible).

État	Signification
4 LED allumées.	État de charge : 75 % à 100 %
3 LED allumées.	État de charge : 50 % à 75 %



État	Signification
2 LED allumées.	État de charge : 25 % à 50 %
1 LED allumée.	État de charge : 10 % à 25 %
1 LED clignote.	État de charge : < 10 %

i Il n'est pas possible d'interroger l'indicateur de l'état de charge lorsque le variateur électronique de vitesse est actionné et jusqu'à 5 secondes après avoir relâché le variateur électronique de vitesse. Si les LED de l'indicateur de l'état de charge de l'accu clignotent, se reporter au chapitre Aide au dépannage.

3.5 Dispositif de soufflage des copeaux

Le dispositif de soufflage des copeaux dirige un jet d'air vers la lame de scie afin de dégager la ligne de sciage de tous copeaux.

3.6 Cadence de coupe

La cadence de coupe peut être réglée sur la molette de réglage. La position 1 correspond à 800 courses par minute et la position 6 correspond à 3000 courses par minute.

Suivant le degré d'enfoncement de l'interrupteur Marche / Arrêt, la cadence de coupe commence à 75 courses par minute et augmente la cadence jusqu'à un nombre défini de courses tel que réglé sur la molette.

3.7 4 positions de mouvement pendulaire

Le mouvement pendulaire réglable selon 4 positions permet d'adapter la puissance de coupe et l'aspect du tracé aux matériaux à scier. Le levier de réglage du mouvement pendulaire permet de commuter entre les 4 positions de réglage.

Plus l'arête de coupe doit être fine et précise, plus le degré du mouvement pendulaire doit être petit. Pour bien le régler, effectuer au préalable des essais dans des conditions pratiques.

État	Signification
Niveau 0	Aucun mouvement pendulaire
Niveau 1	Petit mouvement pendulaire
Niveau 2	Mouvement pendulaire moyen
Niveau 3	Grand mouvement pendulaire

3.8 Bouton de blocage

Le bouton de blocage peut prendre trois positions.

- La position médiane est la position normale : Le bouton de blocage est visible sur les côtés gauche et droit. Il peut par ex. être adapté à la cadence de coupe.
L'interrupteur Marche / Arrêt peut être enfoncé et relâché.
- Le bouton de blocage est uniquement visible côté gauche : position de transport (l'appareil ne peut pas démarrer.)
L'interrupteur Marche / Arrêt est verrouillé, il ne peut pas être enfoncé.
- Le bouton de blocage est uniquement visible côté droit : Une fois l'appareil mis en marche (l'interrupteur Marche / Arrêt est complètement enfoncé), le bouton de blocage peut être poussé vers la droite pour bloquer la position « Marche ». Pour débloquer la position, appuyer à nouveau sur l'interrupteur Marche / Arrêt.

3.9 Plaquette de protection brise-copeau

Le produit peut être équipé d'une plaquette de protection brise-copeau.

La plaquette de protection brise-copeau empêche l'arrachage de la surface lors du sciage de matériaux en bois.

3.10 Mise à l'arrêt automatique de l'appareil

Sitôt que l'interrupteur Marche / Arrêt est enfoncé en continu pendant plus de 15 minutes (par ex. pour le transport ou le stockage), l'appareil est automatiquement arrêté. Ceci permet d'éviter que l'accu ne se décharge entièrement.



3.11 Module récupérateur de poussières SJD DRS-6A (accessoire)

Le module récupérateur de poussières SJD DRS-6A sert d'accessoire pour la **Hilti** scie sauteuse pendulaire SJD 6-A22.

Il permet de collecter la majeure partie des poussières, et se fixe facilement et rapidement sur la scie sauteuse pendulaire. Un ventilateur aspirant est intégré au module récupérateur de poussières. Celui-ci est entraîné par son propre moteur. À la mise en marche de la scie sauteuse pendulaire, le module prend le courant de l'accu de la scie. Le module récupérateur de poussières ne doit pas être utilisé pour des matériaux contenant de l'amiante, des poussières métalliques, des poussières de fibres de verre et de fibres de carbone. Le module récupérateur de poussières ne doit pas être utilisé pour des matériaux humides et explosifs dégageant des copeaux ou de la poussière.

3.12 Éléments livrés

Scie sauteuse pendulaire avec lame de scie, capot d'aspiration, raccord d'aspiration, plaquette de protection brise-copeau, mode d'emploi, clé pour vis à six pans creux.

D'autres produits système autorisés pour votre produit peuvent être obtenus auprès du S.A.V. **Hilti** ou en ligne sous : www.hilti.com

4 Scie sauteuse pendulaire

	SJD 6-A22
Tension de référence	21,6 V
Poids (accu inclus) B22/8.0	7,1 lb (3,2 kg)
Hauteur de course	28 mm
Cadence de coupe nominale (n₀)	75 tr/min ... 3.000 tr/min
Puissance de coupe maximale dans le bois	5,9 in (150 mm)
Puissance de coupe maximale dans l'aluminium	1,0 in (25 mm)
Puissance de coupe maximale dans l'acier non allié	0,4 in (10 mm)
Angle de coupe (gauche / droite)	0° ... 45°
Diamètre extérieur du raccord d'aspiration	27,5 mm
Température de stockage	-4 °F ... 158 °F (-20 °C ... 70 °C)
Température de service en cours de service	1 °F ... 140 °F (-17 °C ... 60 °C)
Température de l'accu au début de la charge	14 °F ... 113 °F (-10 °C ... 45 °C)
Température de stockage	-4 °F ... 104 °F (-20 °C ... 40 °C)
Température de service en cours de service	1 °F ... 140 °F (-17 °C ... 60 °C)

5 Batterie

Tension nominale de l'accu	21,6 V
Température de service en cours de service	1 °F ... 140 °F (-17 °C ... 60 °C)



Température de stockage	-4 °F ... 104 °F (-20 °C ... 40 °C)
Température de l'accu au début de la charge	14 °F ... 113 °F (-10 °C ... 45 °C)

6 Préparatifs

AVERTISSEMENT

Risque de blessures du fait d'une mise en marche inopinée !

- ▶ Avant d'insérer l'accu, s'assurer que le produit correspondant est bien sur arrêt.
- ▶ Retirer le bloc-accu, avant d'effectuer des réglages sur l'appareil ou de changer les accessoires.

Bien respecter les consignes de sécurité et les avertissements de la présente documentation ainsi que celles figurant sur le produit.

6.1 Recharge de l'accu

1. Avant de commencer la charge, lire le mode d'emploi du chargeur.
2. Veiller à ce que les contacts de l'accu et du chargeur sont propres et secs.
3. Charger l'accu à l'aide d'un chargeur homologué. → Page 18

6.2 Introduction de l'accu

AVERTISSEMENT

Risque de blessures du fait d'un court-circuit ou de la chute de l'accu !

- ▶ Avant d'insérer l'accu dans l'appareil, s'assurer que les contacts de l'accu et les contacts sur le produit sont exempts de corps étrangers.
 - ▶ S'assurer que l'accu s'encliquette toujours correctement.
1. L'accu doit être entièrement chargé avant la première mise en service.
 2. Introduire l'accu dans le produit jusqu'à ce qu'il s'enclenche de manière audible.
 3. Vérifier que l'accu est bien en place.

6.3 Retrait de l'accu

1. Appuyer sur les boutons de déverrouillage de l'accu.
2. Retirer l'accu hors de l'appareil.

6.4 Mise en place de la lame de scie

1. Enlever l'accu.
2. Pousser la lame de scie (dents dans le sens de la coupe) dans le porte-outil jusqu'à ce qu'elle s'encliquette.
3. Vérifier en tirant sur la lame de scie qu'elle est bien verrouillée.

6.5 Pose du capot de protection

1. Enlever l'accu.
2. Pousser le capot de protection par l'avant sur l'appareil jusqu'à ce qu'il s'encliquette.



Le capot de protection peut seulement être posé si la semelle se trouve dans sa position normale (réglée sur zéro degré).

6.6 Montage du raccord d'aspiration

1. Pousser le raccord d'aspiration par l'arrière à l'horizontale dans la semelle, jusqu'à ce que les deux crochets à crans soient bien encliquetés sur le côté.
2. Raccorder le tuyau de l'aspirateur de poussières sur le raccord d'aspiration.



7 Utilisation

Bien respecter les consignes de sécurité et les avertissements de la présente documentation ainsi que celles figurant sur le produit.

7.1 Utiliser le dispositif d'aspiration de la poussière



L'aspiration de poussières réduit les nuisances dues à la poussière, augmente la sécurité du travail par une meilleure visibilité de la coupe et évite que le poste de travail ne soit encombré par de la poussière ou des copeaux.

1. Poser le capot de protection. → Page 21
2. Utiliser toujours un dispositif d'aspiration de la poussière en cas de sciage pendant une période prolongée du bois ou des matériaux susceptibles de générer des concentrations de poussières plus importantes.

7.2 Mise en marche

1. Mettre l'accu en place.



Une fonction de sécurité permet de s'assurer que l'appareil ne démarre pas, si l'appareil est d'abord mis sur marche et que l'accu est ensuite poussé dans le support de l'appareil.

2. Assurez-vous que le bouton de blocage est en position médiane.
3. Appuyer sur l'interrupteur Marche / Arrêt.
4. Pour bloquer l'interrupteur de l'appareil sur « Marche », appuyer ensuite le bouton de blocage vers la droite.
5. Pour déverrouiller le bouton de blocage, réappuyer sur l'interrupteur Marche / Arrêt.
 - ▶ Le bouton de blocage revient dans la position médiane.

7.3 Sciage en plongée

1. Mettre le levier de réglage du mouvement pendulaire sur la position 0.
2. Poser le produit de sorte que le bord avant de la plaque de base repose sur la pièce travaillée.
3. Maintenir fermement le produit et appuyer sur l'interrupteur Marche / Arrêt.
4. Appuyer fortement le produit contre la pièce à travailler et plonger en réduisant l'angle d'appui.
5. Une fois la pièce à travailler transpercée, remettre le produit dans sa position de travail normale.
 - ▶ La semelle repose sur toute la surface.
6. Continuer à scier le long de la ligne de sciage.

7.4 Arrêt

- ▶ Relâcher l'interrupteur Marche / Arrêt.



Pour bloquer l'interrupteur de l'appareil sur « Arrêt », appuyer le bouton de blocage vers la gauche.

8 Démontage

8.1 Démontage du raccord d'aspiration

1. Appuyer sur les deux crochets à crans vers l'intérieur.
2. Enlever le raccord d'aspiration de la semelle en tirant vers l'arrière.
3. Débrancher le tuyau de l'aspirateur de poussières du raccord d'aspiration.

8.2 Retrait du capot de protection

1. Enlever l'accu.
2. Incliner légèrement le capot d'aspiration et le retirer par l'avant.



8.3 Retrait de la lame de scie

AVERTISSEMENT

Risque de blessures. Une éjection non contrôlée de la lame de scie risque d'entraîner des blessures.

- ▶ Lors du retrait de la lame de scie, tenir le produit de sorte qu'aucune personne ou animal ne risque d'être blessé(e) par la lame de scie retirée.

1. Enlever l'accu.
2. Pousser le levier de déverrouillage de la lame de scie jusqu'en butée sur le côté.
 - ▶ La lame de scie est dégagée et éjectée.

9 Nettoyage et entretien

AVERTISSEMENT

Risque de blessures lorsque l'accu est inséré !

- ▶ Toujours retirer l'accu avant tous travaux de nettoyage et d'entretien !

Entretien du produit

- Éliminer avec précaution les saletés récalcitrantes.
- Le cas échéant, nettoyer soigneusement les ouïes d'aération à l'aide d'une brosse sèche et douce.
- Nettoyer le carter de l'appareil uniquement avec un chiffon légèrement humide. Ne pas utiliser de nettoyeurs à base de silicone car ceci pourrait attaquer les pièces en plastique.
- Utiliser un chiffon propre et sec pour nettoyer les contacts du produit.

Entretien des accus Li-ion

- Ne jamais utiliser un accu dont les ouïes d'aération sont bouchées. Nettoyer soigneusement les ouïes d'aération à l'aide d'une brosse sèche et douce.
- Éviter d'exposer inutilement l'accu à la poussière ou à la saleté. Ne jamais exposer l'accu à une forte humidité (par exemple en l'immergeant dans de l'eau ou en le laissant sous la pluie).
Si l'accu a été trempé, le traiter comme un accu endommagé. L'isoler dans un récipient ininflammable et s'adresser au S.A.V. **Hilti**.
- Veiller à ce que l'accu soit toujours exempt de traces de graisse et d'huile étrangères. Ne pas laisser de la poussière ou de la saleté s'accumuler inutilement sur l'accu. Nettoyer l'accu avec une brosse sèche et douce ou un chiffon propre et sec. Ne pas utiliser de nettoyeurs à base de silicone car ceci pourrait attaquer les pièces en plastique.
Ne pas toucher les contacts de l'accu et ne pas enlever la graisse appliquée en usine sur les contacts.
- Nettoyer le carter de l'appareil uniquement avec un chiffon légèrement humide. Ne pas utiliser de nettoyeurs à base de silicone car ceci pourrait attaquer les pièces en plastique.

Entretien

- Vérifier régulièrement qu'aucune pièce visible n'est endommagée et que les organes de commande sont parfaitement opérationnels.
- Ne pas utiliser le produit en cas d'endommagements et/ou de dysfonctionnements. Faire immédiatement réparer le produit par le S.A.V. **Hilti**.
- Après des travaux de nettoyage et d'entretien, vérifier si tous les équipements de protection sont bien en place et fonctionnent parfaitement.



Pour une utilisation en toute sécurité, utiliser uniquement des pièces de rechange et consommables d'origine. Vous trouverez les pièces de rechange, consommables et accessoires autorisés par **Hilti** convenant pour votre produit dans le centre **Hilti Store** ou sous : www.hilti.group

9.1 Nettoyage du raccord d'aspiration

1. Enlever l'accu.
2. Démontez le raccord d'aspiration. → Page 22
3. Nettoyer le raccord d'aspiration.
4. Vérifier que les crochets à crans ne sont pas endommagés.
5. Monter le raccord d'aspiration. → Page 21



9.2 Nettoyage des lames de scie

1. Dérésinifier régulièrement les lames de scie usagées.
2. Pour dérésinifier, plonger les lames de scie pendant 24 heures dans un solvant d'origine minérale (white spirit) ou un détachant courant.

10 Transport et stockage des outils sur accus et des accus

Transport

ATTENTION

Mise en marche inopinée lors du transport !

- ▶ Toujours retirer les accus avant de transporter les produits !
- ▶ Retirer le ou les accus.
- ▶ Ne jamais transporter les accus en vrac. Pendant le transport, les accus doivent être protégés des vibrations et chocs excessifs, isolés de tout matériau conducteur ou autre accus, pour éviter qu'ils n'entrent en contact avec d'autres pôles de batterie et qu'ils provoquent un court-circuit. **Tenir compte des prescriptions locales pour le transport d'accus.**
- ▶ Ne pas envoyer les accus par la poste. S'adresser à un service d'expédition s'il faut envoyer des accus non endommagés.
- ▶ Contrôler l'état du produit et des accus avant chaque utilisation, ainsi qu'avant et après tout transport prolongé.

Stockage

AVERTISSEMENT

Endommagement involontaire du fait d'accus défectueux ou de chute d'accu !

- ▶ Toujours retirer les accus avant de stocker les produits !
- ▶ Stocker si possible le produit et les accus dans un endroit sec et frais. Respecter les valeurs limites de température indiquées dans les caractéristiques techniques.
- ▶ Ne pas stocker les accus sur le chargeur. Retirer toujours l'accu du chargeur après la charge.
- ▶ Ne jamais stocker les accus exposés au soleil, sur des sources de chaleur ou derrière des vitres.
- ▶ Stocker le produit et les accus à l'abri des enfants et des personnes non autorisées.
- ▶ Contrôler l'état du produit et des accus avant chaque utilisation, ainsi qu'avant et après tout stockage prolongé.

11 Aide au dépannage

En cas de défaillances non énumérées dans ce tableau ou auxquelles il n'est pas possible de remédier sans aide, contacter le S.A.V. Hilti.

Défaillance	Causes possibles	Solution
Lame de scie mal fixée.	Lame de scie pas bien bloquée.	<ul style="list-style-type: none"> ▶ Remettre la lame de scie en place. ▶ S'assurer que le porte-outil s'ouvre complètement et que la lame de scie est retenue contre la résistance.
	Système de serrage encrassé.	▶ Nettoyer le porte-outil.
Impossible d'insérer la lame de scie.	Système de serrage encrassé.	▶ Nettoyer le porte-outil.
Impossible de régler le mouvement pendulaire.	Rainure du levier de réglage du mouvement pendulaire encrassée.	▶ Nettoyer la rainure du levier de réglage du mouvement pendulaire.
Lever de réglage du mouvement pendulaire inopérant.	Mécanisme pendulaire encrassé.	▶ Vérifier si la zone de la fourche n'est pas encrassée, et la nettoyer le cas échéant.
	Lever de réglage du mouvement pendulaire sur la position «0».	▶ Régler la valeur souhaitée.



Défaillance	Causes possibles	Solution
L'accu se décharge plus rapidement que d'habitude.	Température ambiante très basse.	▶ Laisser l'accu se réchauffer lentement à la température de service.
L'accu ne s'encliquette pas avec un clic audible.	Ergots d'encliquetage encrassés sur l'accu.	▶ Nettoyer les ergots d'encliquetage et réencliqueter l'accu dans son logement.
1 LED clignote. L'appareil ne fonctionne pas.	L'accu est déchargé.	▶ Remplacer l'accu et charger l'accu vide.
	L'accu est trop froid ou trop chaud.	▶ Laisser l'accu se réchauffer ou refroidir lentement à la température ambiante.
Toutes les 4 LED clignent. L'appareil ne fonctionne pas.	L'appareil est surchargé.	▶ Relâcher l'interrupteur Marche / Arrêt et l'actionner à nouveau. Laisser ensuite l'appareil tourner à vide pendant 30 secondes environ.
Important dégagement de chaleur dans le produit ou dans l'accu.	Défaut électrique.	▶ Arrêter immédiatement l'appareil, sortir l'accu et l'examiner, le laisser refroidir et contacter le S.A.V. Hilti .

12 Recyclage



AVERTISSEMENT

Risque de blessures en cas d'élimination incorrecte ! Émanations possibles de gaz et de liquides nocives pour la santé.

- ▶ Ne pas envoyer ni expédier d'accus endommagés !
- ▶ Recouvrir les raccordements avec un matériau non conducteur pour éviter tout court-circuit.
- ▶ Éliminer les accus en veillant à ce qu'ils soient hors de la portée des enfants.
- ▶ Éliminer l'accu en le déposant auprès du **Hilti Store** local ou s'adresser à l'entreprise de collecte des déchets compétente.

Les produits **Hilti** sont fabriqués pour une grande partie en matériaux recyclables. Le recyclage présuppose un tri adéquat des matériaux. **Hilti** reprend les appareils usagés dans de nombreux pays en vue de leur recyclage. Consulter le service clients **Hilti** ou un conseiller commercial.



- ▶ Ne pas jeter les appareils électriques, électroniques et accus dans les ordures ménagères !

13 Déclaration FCC (valable aux États-Unis) / Déclaration IC (valable au Canada)

Cet appareil est conforme au paragraphe 15 des dispositions FCC et RSS-210 de IC. La mise en service est soumise aux deux conditions suivantes :

1. Cet appareil ne devrait pas générer de rayonnements nuisibles.
2. L'appareil doit absorber toutes sortes de rayonnements, y compris les rayonnements entraînant des opérations indésirables.

14 Garantie constructeur

- ▶ En cas de questions sur les conditions de garantie, veuillez vous adresser à votre partenaire **Hilti** local.



Manual de instrucciones original

1 Información sobre el manual de instrucciones

1.1 Acerca de este manual de instrucciones

- Lea detenidamente este manual de instrucciones antes de la puesta en servicio. Ello es imprescindible para un trabajo seguro y un manejo sin problemas.
- Observe las indicaciones y advertencias de seguridad en este manual de instrucciones y en el producto.
- Conserve este manual de instrucciones siempre junto con el producto y entregue el producto a otras personas siempre acompañado de este manual de instrucciones.

1.2 Explicación de símbolos

1.2.1 Avisos

Las advertencias de seguridad advierten de peligros derivados del manejo del producto. Se utilizan las siguientes palabras de peligro:



PELIGRO

PELIGRO !

- ▶ Término utilizado para un peligro inminente que puede ocasionar lesiones graves o incluso la muerte.



ADVERTENCIA

ADVERTENCIA !

- ▶ Término utilizado para un posible peligro que puede ocasionar lesiones graves o incluso la muerte.



PRECAUCIÓN

PRECAUCIÓN !

- ▶ Término utilizado para una posible situación peligrosa que puede ocasionar lesiones o daños materiales.

1.2.2 Símbolos en la documentación

En esta documentación se utilizan los siguientes símbolos:

	Leer el manual de instrucciones antes del uso
	Indicaciones de uso y demás información de interés
	Manejo con materiales reutilizables
	No tirar las herramientas eléctricas y las baterías junto con los desperdicios domésticos

1.2.3 Símbolos en las figuras

En las figuras se utilizan los siguientes símbolos:

	Estos números hacen referencia a la figura correspondiente incluida al principio de este manual
	La numeración describe el orden de los pasos de trabajo en la imagen y puede ser diferente de los pasos descritos en el texto
	Los números de posición se utilizan en la figura Vista general y los números de la leyenda están explicados en el apartado Vista general del producto
	Preste especial atención a este símbolo cuando utilice el producto.

1.3 Símbolos dependientes del producto

1.3.1 Símbolos en el producto

En el producto pueden utilizarse los siguientes símbolos:



n_0	Número de carreras en marcha en vacío
==	Corriente continua
	El producto permite la transferencia de datos inalámbrica, compatible con plataformas iOS y Android.
Li-Ion	Batería de Ion-Litio
	Serie utilizada de baterías de Ion-Litio Hilti . Consulte las indicaciones recogidas en el capítulo Uso conforme a las prescripciones .
	Nunca utilice la batería como herramienta de percusión.
	No deje que la batería se caiga. No utilice baterías que hayan recibido algún golpe ni que estén dañadas de alguna otra forma.

1.4 Información del producto

Los productos **HILTI** han sido diseñados para usuarios profesionales y solo personal autorizado y debidamente formado puede utilizarlos y llevar a cabo su mantenimiento y conservación. Este personal debe estar especialmente instruido en lo referente a los riesgos de uso. La utilización del producto descrito y sus dispositivos auxiliares puede conllevar riesgos para el usuario en caso de manejarse de forma inadecuada por personal no cualificado o utilizarse para usos no previstos.

La denominación del modelo y el número de serie están indicados en la placa de identificación.

- ▶ Anote el número de serie en la siguiente tabla. Mencione estos datos siempre que realice alguna consulta acerca del producto a nuestros representantes o al Departamento de Servicio Técnico.

Datos del producto

Sierra de calar de carrera pendular	SJD 6-A22
Generación	01
N.º de serie	

1.5 Declaración de conformidad

Bajo nuestra exclusiva responsabilidad, declaramos que el producto aquí descrito cumple con las directivas y normas vigentes. Encontrará una reproducción del organismo certificador al final de esta documentación. La documentación técnica se encuentra depositada aquí:

Hilti Entwicklungsgesellschaft mbH | Zulassung Geräte | Hiltistraße 6 | 86916 Kaufering, DE

2 Seguridad

2.1 Indicaciones generales de seguridad para herramientas eléctricas

⚠ ADVERTENCIA Lea con atención todas las indicaciones de seguridad, instrucciones, ilustraciones y datos técnicos correspondientes a esta herramienta eléctrica. La negligencia en el cumplimiento de las instrucciones que se describen a continuación podría provocar descargas eléctricas, incendios o lesiones graves.

Conserve todas las instrucciones e indicaciones de seguridad para futuras consultas.

El término «herramienta eléctrica» empleado en las indicaciones de seguridad se refiere a herramientas eléctricas portátiles, ya sea con cable de red o sin cable, en caso de ser accionadas por batería.

Seguridad en el puesto de trabajo

- ▶ **Mantenga su área de trabajo limpia y bien iluminada.** El desorden o una iluminación deficiente de las zonas de trabajo pueden provocar accidentes.
- ▶ **No utilice la herramienta eléctrica en un entorno con peligro de explosión en el que se encuentren líquidos, gases o polvos inflamables.** Las herramientas eléctricas producen chispas que pueden llegar a inflamar los materiales en polvo o vapores.
- ▶ **Mantenga alejados a los niños y otras personas de su puesto de trabajo al emplear la herramienta eléctrica.** Una distracción le puede hacer perder el control sobre la herramienta.



Seguridad eléctrica

- ▶ **El enchufe de la herramienta eléctrica debe corresponder a la toma de corriente utilizada. No se deberá modificar el enchufe en forma alguna. No utilice enchufes adaptadores para las herramientas eléctricas con puesta a tierra.** Los enchufes sin modificar adecuados a las respectivas tomas de corriente reducen el riesgo de descarga eléctrica.
- ▶ **Evite el contacto corporal con superficies que tengan puesta a tierra, como pueden ser tubos, calefacciones, cocinas y frigoríficos.** El riesgo a quedar expuesto a una sacudida eléctrica es mayor si su cuerpo tiene contacto con tierra.
- ▶ **No exponga las herramientas eléctricas a la lluvia y evite que penetren líquidos en su interior.** El riesgo de recibir descargas eléctricas aumenta si penetra agua en la herramienta eléctrica.
- ▶ **No utilice el cable de conexión para transportar o colgar la herramienta eléctrica ni tire de él para extraer el enchufe de la toma de corriente. Mantenga el cable de conexión alejado de fuentes de calor, aceite, aristas afiladas o piezas móviles.** Los cables de conexión dañados o enredados pueden provocar descargas eléctricas.
- ▶ **Cuando trabaje al aire libre con una herramienta eléctrica, utilice exclusivamente un alargador adecuado para exteriores.** La utilización de un alargador adecuado para su uso en exteriores evita el riesgo de una descarga eléctrica.
- ▶ **Cuando no pueda evitarse el uso de la herramienta eléctrica en un entorno húmedo, utilice un interruptor de corriente de defecto.** La utilización de un interruptor de corriente de defecto evita el riesgo de una descarga eléctrica.

Seguridad de las personas

- ▶ **Permanezca atento, preste atención durante el trabajo y utilice la herramienta eléctrica con prudencia. No utilice una herramienta eléctrica si está cansado, ni tampoco después de haber consumido alcohol, drogas o medicamentos.** Un momento de descuido al utilizar la herramienta eléctrica podría producir graves lesiones.
- ▶ **Utilice el equipo de seguridad personal adecuado y lleve siempre gafas protectoras.** El riesgo de lesiones se reduce considerablemente si, según el tipo y la aplicación de la herramienta eléctrica empleada, se utiliza un equipo de seguridad personal adecuado como una mascarilla antipolvo, zapatos de seguridad con suela antideslizante, casco de protección o protección para los oídos.
- ▶ **Evite una puesta en servicio fortuita de la herramienta. Asegúrese de que la herramienta eléctrica está apagada antes de alzarla, transportarla, conectarla a la toma de corriente o insertar la batería.** Si transporta la herramienta eléctrica sujetándola por el interruptor de conexión/desconexión o si introduce el enchufe en la toma de corriente con la herramienta conectada, podría producirse un accidente.
- ▶ **Retire las herramientas de ajuste o llaves fijas antes de conectar la herramienta eléctrica.** Una herramienta o llave colocada en una pieza giratoria puede producir lesiones al ponerse en funcionamiento.
- ▶ **Evite adoptar posturas forzadas. Procure que la postura sea estable y manténgase siempre en equilibrio.** De esta forma podrá controlar mejor la herramienta eléctrica en caso de presentarse una situación inesperada.
- ▶ **Utilice ropa adecuada. No utilice vestimenta amplia ni joyas. Mantenga su pelo, vestimenta y guantes alejados de las piezas móviles.** La vestimenta suelta, las joyas y el pelo largo se pueden enganchar con las piezas en movimiento.
- ▶ **Siempre que sea posible montar equipos de aspiración o captación de polvo, asegúrese de que están conectados y de que se utilizan correctamente.** El uso de un sistema de aspiración de polvo reduce los riesgos derivados del polvo.
- ▶ **No se crea a salvo de cualquier riesgo ni pase por alto ninguna de las normas de seguridad relativas a las herramientas eléctricas, aun cuando esté familiarizado con la herramienta eléctrica y tenga larga experiencia en su uso.** Una actuación negligente puede provocar lesiones graves en cuestión de segundos.

Uso y manejo de la herramienta eléctrica

- ▶ **No sobrecargue la herramienta. Utilice la herramienta eléctrica adecuada para el trabajo que se dispone a realizar.** Con la herramienta eléctrica apropiada podrá trabajar mejor y de modo más seguro dentro del margen de potencia indicado.
- ▶ **No utilice herramientas eléctricas con el interruptor defectuoso.** Las herramientas eléctricas que no se puedan conectar o desconectar son peligrosas y deben repararse.
- ▶ **Extraiga el enchufe de la toma de corriente o retire la batería extraíble antes de efectuar cualquier ajuste en la herramienta, cambiar accesorios o en caso de no utilizar la herramienta durante un tiempo prolongado.** Esta medida preventiva evita el riesgo de arranque accidental de la herramienta eléctrica.
- ▶ **Guarde las herramientas eléctricas que no utilice fuera del alcance de los niños. No permita utilizar la herramienta a ninguna persona que no esté familiarizada con ella o que no haya leído**



este manual de instrucciones. Las herramientas eléctricas utilizadas por personas inexpertas son peligrosas.

- ▶ **Cuide su herramienta eléctrica y los accesorios adecuadamente. Compruebe si las piezas móviles de la herramienta funcionan correctamente y sin atascarse, y si existen piezas rotas o deterioradas que pudieran afectar al funcionamiento de la herramienta eléctrica. Encargue la reparación de las piezas defectuosas antes de usar la herramienta eléctrica.** Muchos accidentes son consecuencia de un mantenimiento inadecuado de la herramienta eléctrica.
- ▶ **Mantenga los útiles limpios y afilados.** Las herramientas de corte bien cuidadas y con aristas afiladas se atascan menos y se guían con más facilidad.
- ▶ **Utilice la herramienta eléctrica, los accesorios, útiles de inserción, etc., de acuerdo con estas instrucciones. Para ello, tenga en cuenta las condiciones de trabajo y la tarea que se va a realizar.** El uso de herramientas eléctricas para trabajos diferentes de aquellos para los que han sido concebidas puede resultar peligroso.
- ▶ **Mantenga las empuñaduras y las superficies de contacto secas, limpias y sin residuos de aceite o grasa.** Las empuñaduras y superficies de contacto resbaladizas impiden manejar y controlar la herramienta eléctrica con seguridad en situaciones imprevistas.

Uso y manejo de la herramienta de batería

- ▶ **Cargue las baterías únicamente con los cargadores recomendados por el fabricante.** Existe riesgo de incendio al intentar cargar baterías de un tipo diferente al previsto para el cargador.
- ▶ **Utilice únicamente las baterías previstas para la herramienta eléctrica.** El uso de otro tipo de baterías puede provocar daños e incluso incendios.
- ▶ **Si no utiliza la batería, guárdela separada de clips, monedas, llaves, clavos, tornillos y demás objetos metálicos que pudieran puentear sus contactos.** El cortocircuito de los contactos de la batería puede causar quemaduras o incendios.
- ▶ **La utilización inadecuada de la batería puede provocar fugas de líquido. Evite el contacto con este líquido. En caso de contacto accidental, enjuague el área afectada con abundante agua. En caso de contacto con los ojos, acuda además inmediatamente a un médico.** El líquido de la batería puede irritar la piel o producir quemaduras.
- ▶ **No utilice baterías dañadas o modificadas.** Una batería dañada o modificada puede tener un comportamiento imprevisible y provocar incendios, explosiones o riesgo de lesiones.
- ▶ **No exponga la batería al fuego o a temperaturas muy elevadas.** El fuego o las temperaturas superiores a 130 °C (265 °F) pueden provocar una explosión.
- ▶ **Siga todas las instrucciones relativas a la carga y no cargue nunca la batería o la herramienta de batería excediendo el rango de temperatura indicado en el manual de instrucciones.** Una carga incorrecta o fuera del rango de temperatura permitido puede destruir la batería y aumentar el riesgo de incendio.

Servicio Técnico

- ▶ **Solicite que un profesional lleve a cabo la reparación de su herramienta eléctrica y que utilice exclusivamente piezas de repuesto originales.** Solamente así se garantiza la seguridad de la herramienta.
- ▶ **No realice nunca el mantenimiento de baterías dañadas.** Cualquier mantenimiento de las baterías debe llevarlo a cabo el fabricante o un centro del Servicio de Atención al Cliente autorizado.

2.2 Indicaciones de seguridad para sierras con hojas de sierra de vaivén

- ▶ **Sujete la herramienta eléctrica por las empuñaduras aisladas cuando realice trabajos en los que el útil de inserción puede entrar en contacto con cables eléctricos ocultos.** El contacto con los cables conductores puede traspasar la conductividad a las partes metálicas y producir descargas eléctricas.
- ▶ **Fije y asegure la herramienta a una superficie estable con abrazaderas o mediante otro sistema.** Si solo utiliza la mano para sujetar la pieza de trabajo o se la apoya contra el cuerpo, la pieza estará inestable, lo que puede provocar una pérdida de control.

2.3 Indicaciones de seguridad adicionales

Seguridad de las personas

- ▶ Utilice la herramienta únicamente si tiene la certeza de que se encuentra en perfecto estado técnico.
- ▶ No efectúe nunca manipulaciones o modificaciones en la herramienta.
- ▶ Mantenga las empuñaduras secas y limpias.
- ▶ Cuando utilice la herramienta, lleve siempre gafas protectoras apropiadas, protección para los oídos y guantes de protección.



- ▶ Utilice guantes de protección para cambiar el útil de inserción. El contacto con el útil de inserción puede producir cortes y quemaduras.
- ▶ Utilice protección para los ojos. El material que sale disparado puede ocasionar lesiones en los ojos y en el cuerpo.
- ▶ No mire directamente hacia la luz (LED) ni dirija la luz a la cara de otras personas. Existe riesgo de deslumbramiento.
- ▶ Antes de iniciar el trabajo, consulte la clase de peligros derivados del polvo resultante del trabajo. Utilice un aspirador de obra con una clasificación de protección homologada conforme a las normas locales sobre la protección contra el polvo.
- ▶ Procure una buena ventilación en el lugar de trabajo y utilice en caso necesario una mascarilla adecuada para cada clase de polvo. El contacto con el polvo o su inhalación puede provocar reacciones alérgicas o asfíxica al usuario o a personas que se encuentren en su entorno. Existen determinados tipos de polvo, como puede ser el de roble o el de haya, catalogados como cancerígenos, especialmente si se encuentran mezclados con aditivos usados en el tratamiento de la madera (cromato, agente protector para la madera). Únicamente expertos cualificados están autorizados a manipular materiales que contengan asbesto.
- ▶ Efectúe pausas durante el trabajo, así como ejercicios de los dedos para mejorar la circulación. En el caso de trabajos de larga duración, las vibraciones pueden causar alteraciones en el sistema nervioso o en los vasos sanguíneos de los dedos, las manos u otras articulaciones de las manos.

Seguridad eléctrica

- ▶ Antes de empezar a trabajar, compruebe si la zona de trabajo oculta cables eléctricos, tuberías de gas o cañerías de agua. Las partes metálicas exteriores de la herramienta pueden provocar una descarga eléctrica si se daña por error un cable eléctrico.

Manipulación y utilización segura de las herramientas eléctricas

- ▶ Fije la pieza de trabajo. Las piezas de trabajo se sujetan de forma más segura mediante un dispositivo de sujeción o un tornillo de banco que sujetándolas solo con la mano.

Indicaciones de seguridad especiales para sierras de calar

- ▶ Apartar siempre el producto del cuerpo cuando se esté serrando con él.
- ▶ No coloque nunca las manos delante de ni junto a la hoja de sierra.
- ▶ No sierre nunca superficies que no conozca y mantenga la guía de corte libre de obstáculos por arriba y por abajo.
- ▶ Al serrar, no sujete la pieza de trabajo por debajo.

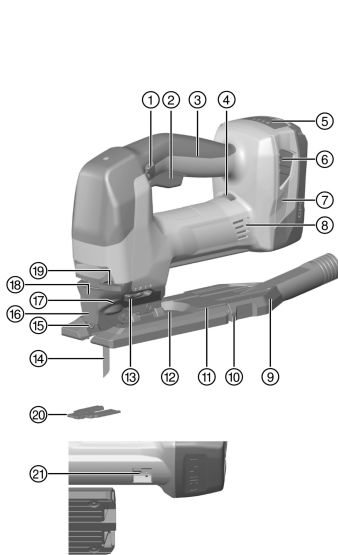
2.4 Manipulación y utilización segura de las baterías

- ▶ Tenga en cuenta las directivas especiales en materia de transporte, almacenamiento y manejo de las baterías de Ion-Litio.
- ▶ Mantenga las baterías alejadas de altas temperaturas, radiación solar directa y fuego.
- ▶ Las baterías no se deben destruir, comprimir, calentar por encima de 80 °C (176 °F) o quemar.
- ▶ No utilice ni cargue baterías que hayan recibido algún golpe, que hayan caído desde una altura superior a un metro o que estén dañadas de alguna otra forma. En este caso, póngase siempre en contacto con el **Hilti Servicio Técnico**.
- ▶ Si al tocar la batería detecta que está muy caliente, puede deberse a una avería en la misma. Coloque la batería en un lugar visible, no inflamable, a suficiente distancia de otros materiales inflamables. Deje que la batería se enfríe. Si, después de una hora, la herramienta sigue estando demasiado caliente para tocarla significa que está averiada. Póngase en contacto con el **Servicio Técnico de Hilti**.



3 Descripción

3.1 Vista general del producto 1



- ① Botón de bloqueo
- ② Interruptor de conexión y desconexión
- ③ Empuñadura
- ④ Rueda reguladora para el ajuste del número de carreras
- ⑤ Indicador del estado de carga de la batería
- ⑥ Tecla de desbloqueo de la batería
- ⑦ Batería
- ⑧ Rejillas de ventilación
- ⑨ Adaptador de aspiración
- ⑩ Gancho de sujeción
- ⑪ Placa base
- ⑫ Escala para el ajuste del ángulo de corte
- ⑬ Palanca para el ajuste de la carrera pendular
- ⑭ Hoja de sierra
- ⑮ Protección contra contacto accidental
- ⑯ Tapa cobertora
- ⑰ Portaútiles
- ⑱ Luz LED
- ⑲ Palanca para desbloqueo de la hoja de sierra
- ⑳ Protección contra el astillado
- ㉑ Alimentación de tensión para el módulo de aspiración SJD DRS-6A (accesorio)

3.2 Uso conforme a las prescripciones

El producto descrito es una sierra de calar de carrera pendular de batería de guiado manual. Es adecuada para serrar plástico, madera y metal así como tableros de fibra y yeso.

El producto está equipado con un manguito de empalme desmontable para acoplar a un aspirador de polvo opcional; el manguito está diseñado para las mangueras de aspirador convencionales. Para conectar la manguera de aspiración al producto puede que sea necesario utilizar un adaptador específico.

- ▶ Para este producto utilice únicamente las baterías de Ion-Litio de la serie B 22 de **Hilti**.
- ▶ Para estas baterías utilice exclusivamente los cargadores de la serie C4/36 de **Hilti**.
- ▶ Para este producto utilice únicamente hojas de sierra con vástago en T (vástago de una leva).

3.3 Posibles usos indebidos

- El producto no debe utilizarse para serrar ramas ni troncos.
- El producto no debe utilizarse para trabajar con materiales nocivos para la salud.
- El producto no debe utilizarse para trabajos en entornos húmedos.
- ▶ Mantenga la alimentación de tensión del módulo de aspiración alejada de clips, monedas, llaves, clavos, tornillos y demás objetos metálicos pequeños que pudieran puentear sus contactos. El cortocircuito de los contactos puede causar quemaduras o incendios.

3.4 Indicador del estado de carga

El estado de carga de la batería de Ion-Litio puede visualizarse presionando ligeramente la tecla de desbloqueo o una de ellas (hasta notar resistencia).

Estado	Significado
4 LED encendidos.	Estado de carga: 75 % a 100 %
3 LED encendidos.	Estado de carga: 50 % a 75 %
2 LED encendidos.	Estado de carga: 25 % a 50 %



Estado	Significado
1 LED encendido.	Estado de carga: 10 % a 25 %
1 LED parpadea.	Estado de carga: < 10 %

i Con el conmutador de control accionado y hasta 5 s después de soltarlo no es posible consultar el estado de carga. Si los LED indicadores del estado de carga de la batería parpadean, observe las indicaciones del capítulo «Ayuda en caso de averías».

3.5 Dispositivo soplador antivirutas

El dispositivo soplador antivirutas dirige un chorro de aire hacia la hoja de sierra para mantener la línea de corte libre de virutas.

3.6 Número de carreras

El número de carreras puede ajustarse en la rueda reguladora. La posición 1 corresponde a 800 carreras por minuto y la posición 6, a 3000 carreras por minuto.

Dependiendo de la fuerza con que se presione el interruptor de conexión y desconexión, la velocidad de carrera empieza con 75 carreras por minuto y aumenta hasta las carreras definidas que se hayan ajustado en la rueda reguladora.

3.7 4 niveles de movimiento pendular

Gracias a los 4 niveles de movimiento pendular, el rendimiento de corte y el perfil pueden amoldarse al material que se va a trabajar. La palanca para el ajuste de carrera pendular sirve para cambiar entre los cuatro niveles. Cuanto más preciso y delicado deba quedar el canto de corte, más pequeño ha de ser el nivel de movimiento pendular. El ajuste óptimo puede determinarse por medio de intentos prácticos.

Estado	Significado
Posición 0	Sin movimiento pendular
Posición 1	Movimiento pendular pequeño
Posición 2	Movimiento pendular medio
Posición 3	Movimiento pendular grande

3.8 Botón de bloqueo

El botón de bloqueo puede situarse en tres posiciones.

- La posición normal es la posición central: el botón de bloqueo puede verse a la derecha y a la izquierda. Puede regularse el número de carreras, p. ej. El interruptor de conexión y desconexión puede pulsarse y soltarse.
- El botón de bloqueo solo puede verse a la izquierda: posición de transporte (la herramienta no se puede arrancar). El interruptor de conexión y desconexión está bloqueado y no puede pulsarse.
- El botón de bloqueo solo puede verse a la derecha: después de encender la herramienta (el interruptor de conexión y desconexión está pulsado del todo), el botón de bloqueo puede presionarse hacia la derecha para enclavar la posición «conectado». Para desenclavar el bloqueo, pulsar de nuevo el interruptor de conexión y desconexión.

3.9 Protección contra el astillado

El producto puede equiparse con una protección contra el astillado.

La protección contra el astillado impide el desgarro de la superficie al serrar materiales derivados de la madera.

3.10 Desconexión automática de la herramienta

Si el interruptor de conexión y desconexión está activado durante más de 15 minutos (p. ej., durante el transporte o el almacenamiento), la herramienta se desconecta automáticamente. De este modo se evita que la batería se descargue totalmente.



3.11 Módulo de aspiración SJD DRS-6A (accesorio)

El módulo de aspiración SJD DRS-6A se utiliza como accesorio de la sierra de calar de carrera pendular Hilti SJD 6-A22.

Recoge gran parte del polvo que se genera y se fija rápida y fácilmente a la sierra de calar de carrera pendular. En el módulo de aspiración hay integrado un ventilador de aspiración. Este se acciona con un motor propio. Cuando se enciende la sierra de carrera pendular, el módulo recibe la corriente procedente de su batería. El módulo de aspiración no es adecuado para trabajos con materiales que contengan asbesto, polvo metálico, polvos de vidrio y de fibras de carbono. Tampoco debe utilizarse para aspirar virutas y polvo explosivo y húmedo.

3.12 Suministro

Sierra de calar de carrera pendular con hoja de sierra, tapa cobertora, adaptador de aspiración, protección contra el astillado, manual de instrucciones, llave de hexágono interior.

Encontrará otros productos del sistema autorizados para su producto en su Centro Hilti o en internet, en www.hilti.com

4 Sierra de calar de carrera pendular

	SJD 6-A22
Tensión nominal	21,6 V
Peso (incluida batería) B228.0	7,1 lb (3,2 kg)
Altura de carrera	28 mm
Número de carreras en marcha en vacío (n₀)	75 rpm ... 3.000 rpm
Rendimiento de corte máximo en madera	5,9 in (150 mm)
Rendimiento de corte máximo en aluminio	1,0 in (25 mm)
Rendimiento de corte máximo en acero no aleado	0,4 in (10 mm)
Ángulo de corte (izquierda/derecha)	0° ... 45°
Diámetro exterior del adaptador de aspiración	27,5 mm
Temperatura de almacenamiento	-4 °F ... 158 °F (-20 °C ... 70 °C)
Temperatura ambiente en funcionamiento	1 °F ... 140 °F (-17 °C ... 60 °C)
Temperatura de la batería al comenzar la carga	14 °F ... 113 °F (-10 °C ... 45 °C)
Temperatura de almacenamiento	-4 °F ... 104 °F (-20 °C ... 40 °C)
Temperatura ambiente en funcionamiento	1 °F ... 140 °F (-17 °C ... 60 °C)

5 Batería

Tensión de servicio de la batería	21,6 V
Temperatura ambiente en funcionamiento	1 °F ... 140 °F (-17 °C ... 60 °C)
Temperatura de almacenamiento	-4 °F ... 104 °F (-20 °C ... 40 °C)
Temperatura de la batería al comenzar la carga	14 °F ... 113 °F (-10 °C ... 45 °C)



6 Preparación del trabajo

ADVERTENCIA

Riesgo de lesiones por arranque involuntario.

- ▶ Antes de insertar la batería, asegúrese de que el producto correspondiente esté desconectado.
- ▶ Retire la batería antes de realizar ajustes en la herramienta o de cambiar accesorios.

Respete las indicaciones de seguridad y las advertencias presentes en esta documentación y en el producto.

6.1 Carga de la batería

1. Antes de cargarla, lea el manual de instrucciones del cargador.
2. Asegúrese de que los contactos de la batería y del cargador estén limpios y secos.
3. Cargue la batería en un cargador autorizado. → página 31

6.2 Colocación de la batería

ADVERTENCIA

Riesgo de lesiones por cortocircuito o caída de la batería.

- ▶ Antes de insertar la batería, asegúrese de que los contactos de la batería y del producto estén libres de cuerpos extraños.
- ▶ Asegúrese de que la batería encaje siempre correctamente.

1. Cargue por completo la batería antes de la primera puesta en servicio.
2. Introduzca la batería en el producto hasta que encaje de forma audible.
3. Compruebe que la batería está bien colocada.

6.3 Extracción de la batería

1. Pulse las teclas de desbloqueo de la batería.
2. Extraiga la batería de la herramienta.

6.4 Colocación de la hoja de sierra

1. Extraiga la batería.
2. Presione la hoja de sierra (con los dientes en el sentido de corte) hacia el interior del portaútiles hasta que encaje.
3. Tire de la hoja de sierra para comprobar que esté encajada.

6.5 Colocación de la tapa cobertora

1. Extraiga la batería.
2. Deslice la tapa cobertora desde delante en el producto hasta que encaje.



La tapa cobertora solo puede colocarse si la placa base se encuentra en posición normal (posición de cero grados).

6.6 Montaje del adaptador de aspiración

1. Deslice el adaptador de aspiración desde atrás horizontalmente en la placa base hasta que los dos ganchos de sujeción estén encajados en los lados.
2. Conecte la manguera del aspirador al adaptador de aspiración.

7 Manejo

Respete las indicaciones de seguridad y las advertencias presentes en esta documentación y en el producto.

7.1 Uso de aspirador de polvo



La aspiración de polvo disminuye la carga de polvo, aumenta la seguridad al mejorar la visibilidad del corte y evita las molestias por la acumulación de polvo y virutas en el lugar de trabajo.



1. Coloque la tapa cobertora. → página 34
2. Utilice un sistema de aspiración de polvo siempre que vaya a trabajar durante mucho tiempo con madera o materiales que puedan producir grandes cantidades de polvo.

7.2 Conexión

1. Coloque la batería.



Una función de seguridad garantiza que la herramienta no se ponga en marcha cuando primero se enciende la herramienta y después se inserta la batería en el soporte de la herramienta.

2. Asegúrese de que el botón de bloqueo se encuentre en posición central.
3. Pulse el interruptor de conexión y desconexión.
4. Para enclavar el interruptor en «conectado», presione el botón de bloqueo hacia la derecha.
5. Para desenclavar el bloqueo, vuelva a pulsar el interruptor de conexión y desconexión.
 - ▶ El botón de bloqueo vuelve a la posición central.

7.3 Serrado de inmersión

1. Sitúe la palanca de ajuste de la carrera pendular en la posición 0.
2. Coloque el producto con el borde delantero de la placa base sobre la pieza de trabajo.
3. Sujete el producto y pulse el botón de conexión y desconexión.
4. Presione el producto firmemente contra la pieza de trabajo e introduzca la hoja reduciendo el ángulo de incidencia.
5. Una vez haya perforado la pieza de trabajo, coloque el producto en la posición normal de trabajo.
 - ▶ La placa base está apoyada con toda la superficie.
6. Continúe serrando a lo largo de la línea de corte.

7.4 Desconexión

- ▶ Suelte el interruptor de conexión y desconexión.



Para enclavar el interruptor en «desconectado», presione el botón de bloqueo hacia la izquierda.

8 Desmontaje

8.1 Desmontaje del adaptador de aspiración

1. Presione los dos ganchos de sujeción hacia dentro.
2. Retire el adaptador de aspiración de la placa base hacia atrás.
3. Extraiga la manguera del aspirador del adaptador de aspiración.

8.2 Extracción de la tapa cobertora

1. Extraiga la batería.
2. Ladee un poco la tapa protectora y extráigala hacia delante.

8.3 Expulsión de la hoja de sierra



ADVERTENCIA

Riesgo de lesiones. Una expulsión incontrolada de la hoja de sierra puede provocar lesiones.

- ▶ Al extraer la hoja de sierra, sujete el producto de tal manera que ninguna persona o animal puedan resultar dañados por la extracción de la hoja.

1. Extraiga la batería.
2. Gire la palanca para el desbloqueo de la hoja de sierra hasta el tope para apartarla.
 - ▶ La hoja de sierra se suelta y expulsa.



9 Cuidado y mantenimiento



ADVERTENCIA

Riesgo de lesiones con la batería colocada !

- ▶ Extraiga siempre la batería antes de llevar a cabo tareas de cuidado y mantenimiento.
-

Cuidado del producto

- Elimine con precaución la suciedad fuertemente adherida.
- Las rejillas de ventilación, si las hay, deben limpiarse con cuidadosamente con un cepillo seco y suave.
- Limpie la carcasa solo con un paño ligeramente humedecido. No utilice productos de limpieza que contengan silicona, ya que podrían dañar las piezas de plástico.
- Utilice un paño limpio y seco para limpiar los contactos del producto.

Cuidado de las baterías de Ion-Litio

- No utilice nunca una batería con las rejillas de ventilación obstruidas. Limpie cuidadosamente las rejillas de ventilación con un cepillo seco y suave.
- Evite la exposición innecesaria de la batería al polvo o la suciedad. No exponga nunca la batería a altos niveles de humedad (por ejemplo, sumergiéndola en agua o dejándola bajo la lluvia).
Si penetra agua en la batería, trátela como una batería dañada. Aíslela en un recipiente no inflamable y póngase en contacto con el Servicio Técnico de **Hilti**.
- Mantenga la batería limpia de aceite o grasa. No permita la acumulación innecesaria de polvo o suciedad en la batería. Limpie la batería con un cepillo seco y suave o con un paño limpio y seco. No utilice productos de limpieza que contengan silicona, ya que podrían dañar las piezas de plástico.
No toque los contactos de la batería y no elimine de los contactos la grasa aplicada de fábrica.
- Limpie la carcasa solo con un paño ligeramente humedecido. No utilice productos de limpieza que contengan silicona, ya que podrían afectar a las piezas de plástico.

Mantenimiento

- Compruebe con regularidad que las piezas visibles no estén dañadas y los elementos de manejo funcionen correctamente.
 - No utilice el producto si presenta daños o fallos que afecten al funcionamiento. Encargue inmediatamente la reparación del producto al Servicio Técnico de **Hilti**.
 - Tras las tareas de cuidado y mantenimiento, coloque todos los dispositivos de protección y asegúrese de que funcionen correctamente.
-



Para garantizar un correcto funcionamiento, utilice exclusivamente piezas de repuesto y consumibles originales. Las piezas de repuesto, los consumibles y los accesorios autorizados por **Hilti** se pueden consultar en su **Hilti Store** o en: www.hilti.group

9.1 Limpieza del adaptador de aspiración

1. Extraiga la batería.
2. Desmonte el adaptador de aspiración. → página 35
3. Limpie el adaptador de aspiración.
4. Compruebe que los ganchos de sujeción no estén dañados.
5. Monte el adaptador de aspiración. → página 34

9.2 Limpieza de las hojas de sierra

1. Desresinifique regularmente las hojas de sierra utilizadas.
2. Aplique petróleo o un producto desresinificador comercial a las hojas de sierra durante 24 horas.

10 Transporte y almacenamiento de las baterías y sus herramientas

Transporte



PRECAUCIÓN

Arranque involuntario en el transporte !

- ▶ Transporte sus productos siempre sin batería.
 - ▶ Extraiga la(s) batería(s).
-



- ▶ Nunca transporte las baterías sin embalaje. Durante el transporte, las baterías deben estar protegidas frente a vibraciones y golpes excesivos y aisladas de todo material conductor y de otras baterías para que no entren en contacto con los polos de otras baterías y causen un cortocircuito. **Tenga en cuenta las normativas locales sobre el transporte de baterías.**
- ▶ Las baterías no deben enviarse por correo. Diríjase a una empresa de transporte si quiere enviar baterías no dañadas.
- ▶ Compruebe si el producto o las baterías están dañados antes de cada uso y antes y después de un transporte prolongado.

Almacenamiento



ADVERTENCIA

Daños imprevistos debido a una batería defectuosa o agotada !

- ▶ Guarde su productos siempre sin batería.
- ▶ Guarde el producto y las baterías en un lugar fresco y seco. Tenga en cuenta los valores límite de temperatura que figuran en los datos técnicos.
- ▶ No almacene las baterías en el cargador. Extraiga siempre la batería del cargador después del proceso de carga.
- ▶ No guarde nunca las baterías en un lugar expuesto al sol, a fuentes de calor o detrás de un cristal.
- ▶ Guarde el producto y las baterías fuera del alcance de niños y personas no autorizadas.
- ▶ Compruebe si el producto o las baterías están dañados antes de cada uso y antes y después de un almacenamiento prolongado.

11 Ayuda en caso de averías

Si se producen averías que no estén incluidas en esta tabla o que no pueda solucionar usted, diríjase a nuestro Servicio Técnico de Hilti.

Anomalía	Posible causa	Solución
La hoja de sierra se sale.	La hoja de sierra no está correctamente enclavada.	<ul style="list-style-type: none"> ▶ Repita el proceso de sujeción. ▶ Asegúrese de que el portaútiles esté completamente abierto y que la hoja de sierra se haya introducido a contrapresión.
	El sistema de sujeción está sucio.	<ul style="list-style-type: none"> ▶ Limpie el portaútiles.
La hoja de sierra no se puede insertar.	El sistema de sujeción está sucio.	<ul style="list-style-type: none"> ▶ Limpie el portaútiles.
La carrera pendular no se puede regular.	Ranura sucia de la palanca de ajuste del movimiento pendular.	<ul style="list-style-type: none"> ▶ Limpie la suciedad de la ranura de la palanca de ajuste del movimiento pendular.
La carrera pendular no funciona.	Mecanismo pendular sucio.	<ul style="list-style-type: none"> ▶ Compruebe si hay suciedad en la zona de la horquilla de movimiento pendular y elimínela.
	La palanca de ajuste de la carrera pendular está en la posición «0».	<ul style="list-style-type: none"> ▶ Ajuste el valor deseado.
La batería se descarga con más rapidez de lo usual.	Temperatura ambiente demasiado baja.	<ul style="list-style-type: none"> ▶ Deje que la batería alcance poco a poco la temperatura ambiente.
La batería no se enclava con un «clic» audible.	Suciedad en las lengüetas de la batería.	<ul style="list-style-type: none"> ▶ Limpie las lengüetas y vuelva a colocar la batería.
1 LED parpadea. La herramienta no funciona.	La batería está descargada.	<ul style="list-style-type: none"> ▶ Cambie la batería y recargue la batería vacía.
	La batería está demasiado fría o demasiado caliente.	<ul style="list-style-type: none"> ▶ Deje que la batería se caliente o se enfríe poco a poco hasta alcanzar la temperatura ambiente.



Anomalia	Posible causa	Solución
Los 4 LED parpadean. La herramienta no funciona.	La herramienta está sobrecargada.	▶ Suelte el interruptor de conexión y desconexión y vuélvalo a accionar. A continuación, mantenga la herramienta durante aprox. 30 s en marcha en vacío.
Calentamiento considerable del producto o la batería.	Error en el sistema eléctrico.	▶ Desconecte la herramienta de inmediato, extraiga la batería, compruébela, deje que se enfríe y póngase en contacto con el Servicio Técnico de Hilti .

12 Reciclaje



ADVERTENCIA

Riesgo de lesiones por un reciclaje indebido. Riesgo para la salud debido a escapes de gases o líquidos.

- ▶ No envíe baterías dañadas bajo ningún concepto.
- ▶ Cubra las conexiones con un material no conductor para evitar cortocircuitos.
- ▶ Deshágase de las baterías de tal forma que no terminen en manos de niños.
- ▶ Elimine la batería en su **Hilti Store** o diríjase a su empresa de desechos.

Los productos **Hilti** están fabricados en su mayor parte con materiales reutilizables. La condición para dicha reutilización es una separación adecuada de los materiales. En muchos países, **Hilti** recoge las herramientas usadas para su recuperación. Pregunte al Servicio de Atención al Cliente de **Hilti** o a su asesor de ventas.



- ▶ No deseche las herramientas eléctricas, los aparatos eléctricos ni las baterías junto con los residuos domésticos.

13 Indicación FCC (válida en EE. UU.) / indicación IC (válida en Canada)

Esta herramienta esta sujeta al artículo 15 de las disposiciones FCC y al RSS-210 de la indicación IC. La puesta en servicio esta sujeta a las dos condiciones siguientes:

1. Esta herramienta no debe generar ninguna radiación nociva para la salud.
2. La herramienta debe absorber cualquier tipo de radiación, incluso las provocadas por operaciones no deseadas.

14 Garantía del fabricante

- ▶ Si tiene alguna consulta acerca de las condiciones de la garantía, póngase en contacto con su sucursal local de **Hilti**.

Manual de instruções original

1 Indicações sobre o Manual de instruções

1.1 Relativamente a este Manual de instruções

- Antes da colocação em funcionamento, leia este manual de instruções. Esta é a condição para um trabalho seguro e um manuseamento sem problemas.
- Tenha em atenção as instruções de segurança e as advertências neste Manual de instruções e no produto.
- Guarde o manual de instruções sempre junto do produto e entregue-o a outras pessoas apenas juntamente com este manual de instruções.



1.2 Explicação dos símbolos

1.2.1 Advertências

As advertências alertam para perigos durante a utilização do produto. São utilizadas as seguintes palavras de aviso:

PERIGO

PERIGO !

- ▶ Indica perigo iminente que pode originar acidentes pessoais graves ou até mesmo fatais.

AVISO

AVISO !

- ▶ Indica um possível perigo que pode causar graves ferimentos pessoais, até mesmo fatais.





CUIDADO

CUIDADO !

- ▶ Indica uma situação potencialmente perigosa que pode originar ferimentos corporais ou danos materiais.


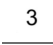


1.2.2 Símbolos na documentação

Nesta documentação são utilizados os seguintes símbolos:

	Leia o manual de instruções antes da utilização
	Instruções de utilização e outras informações úteis
	Manuseamento com materiais recicláveis
	Não deitar as ferramentas eléctricas e baterias no lixo doméstico

1.2.3 Símbolos nas figuras

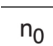
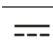


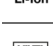
Em figuras são utilizados os seguintes símbolos:

	Estes números referem-se à respectiva imagem no início deste Manual
	A numeração reproduz uma sequência dos passos de trabalho na imagem e pode divergir dos passos de trabalho no texto
	Na figura Vista geral são utilizados números de posição que fazem referência aos números da legenda na secção Vista geral do produto
	Este símbolo pretende despertar a sua atenção durante o manuseamento do produto.



1.3 Símbolos dependentes do produto

1.3.1 Símbolos no produto

Podem ser utilizados os seguintes símbolos no produto:

	Número de cursos em vazio
	Corrente contínua
	O produto suporta a transmissão de dados sem fios, que é compatível com plataformas iOS e Android.
	Bateria de iões de lítio
	Série utilizada da bateria de iões de lítio Hilti . Tenha em atenção as indicações no capítulo Utilização conforme a finalidade projectada .



	Nunca utilize a bateria como ferramenta de percussão.
	Não deixe cair a bateria. Não utilize baterias que tenham recebido uma pancada ou que estejam, de outra forma, danificadas.

1.4 Dados informativos sobre o produto

Os produtos **HILTI** destinam-se ao utilizador profissional e só podem ser operados, mantidos e reparados por pessoal autorizado, devidamente qualificado. Este pessoal deverá estar informado, em particular, sobre os potenciais perigos. O produto descrito e o seu equipamento auxiliar podem representar perigo se usados incorrectamente por pessoas não qualificadas ou se usados para fins diferentes daqueles para os quais foram concebidos.

A designação e o número de série são indicados na placa de características.

- ▶ Registe o número de série na tabela seguinte. Faça referência a estas informações sempre que entrar em contacto com o nosso representante ou posto de serviço de atendimento aos clientes para colocar questões sobre o produto.

Dados do produto

Serra vertical excêntrica	SJD 6-A22
Geração	01
N.º de série	

1.5 Declaração de conformidade

Declaramos sob nossa exclusiva responsabilidade que o produto aqui descrito está em conformidade com as directivas e normas em vigor. Na parte final desta documentação encontra uma reprodução do organismo de certificação.

As documentações técnicas estão aqui guardadas:

Hilti Entwicklungsgesellschaft mbH | Zulassung Geräte | Hiltistraße 6 | 86916 Kaufering, DE

2 Segurança

2.1 Normas de segurança gerais para ferramentas eléctricas

⚠ AVISO Leia todas as normas de segurança, instruções, imagens e dados técnicos, com os quais esta ferramenta eléctrica está equipada. O não cumprimento das instruções a seguir pode resultar em choque eléctrico, incêndio e/ou ferimentos graves.

Guarde bem todas as normas de segurança e instruções para futura referência.

O termo "ferramenta eléctrica" utilizado nas normas de segurança refere-se a ferramentas com ligação à corrente eléctrica (com cabo de alimentação) ou a ferramentas a bateria (sem cabo).

Segurança no posto de trabalho

- ▶ **Mantenha a sua área de trabalho limpa e bem iluminada.** Locais desarrumados ou mal iluminados podem ocasionar acidentes.
- ▶ **Não utilize a ferramenta eléctrica em ambientes explosivos ou na proximidade de líquidos ou gases inflamáveis.** Ferramentas eléctricas produzem faíscas que podem provocar a ignição de pó e vapores.
- ▶ **Mantenha crianças e terceiros afastados durante os trabalhos.** Distracções podem conduzir à perda de controlo sobre a ferramenta.

Segurança eléctrica

- ▶ **A ficha da ferramenta eléctrica deve servir na tomada. A ficha não deve ser modificada de modo algum. Não utilize quaisquer adaptadores com ferramentas eléctricas com ligação terra.** Fichas originais (não modificadas) e tomadas adequadas reduzem o risco de choque eléctrico.
- ▶ **Evite o contacto do corpo com superfícies ligadas à terra, como, por exemplo, canos, radiadores, fogões e frigoríficos.** Existe um risco elevado de choque eléctrico se o corpo estiver com ligação à terra.
- ▶ **As ferramentas eléctricas não devem ser expostas à chuva nem à humidade.** A infiltração de água numa ferramenta eléctrica aumenta o risco de choque eléctrico.
- ▶ **Não use o cabo de ligação para transportar, pendurar ou desligar a ferramenta eléctrica da tomada. Mantenha o cabo de ligação afastado de calor, óleo, arestas vivas ou partes em movimento.** Cabos de ligação danificados ou emaranhados aumentam o risco de choque eléctrico.



- ▶ **Quando operar uma ferramenta eléctrica ao ar livre, utilize apenas cabos de extensão próprios para utilização no exterior.** A utilização de um cabo de extensão próprio para utilização no exterior reduz o risco de choques eléctricos.
- ▶ **Utilize um disjuntor diferencial se não puder ser evitada a utilização da ferramenta eléctrica em ambiente húmido.** A utilização de um disjuntor diferencial reduz o risco de choque eléctrico.

Segurança física

- ▶ **Esteja alerta, observe o que está a fazer, e tenha prudência ao trabalhar com uma ferramenta eléctrica. Se estiver cansado ou sob influência de drogas, álcool ou medicamentos não efectue nenhum trabalho com ferramentas eléctricas.** Um momento de distração ao operar a ferramenta eléctrica pode causar ferimentos graves.
- ▶ **Use equipamento de segurança. Use sempre óculos de protecção.** Equipamento de segurança, como, por exemplo, máscara antipoeiras, sapatos de segurança antiderrapantes, capacete de segurança ou protecção auricular, de acordo com o tipo e aplicação da ferramenta eléctrica, reduzem o risco de lesões.
- ▶ **Evite um arranque involuntário. Assegure-se de que a ferramenta eléctrica está desligada antes de a ligar à fonte de alimentação e/ou à bateria, pegar nela ou a transportar.** Transportar a ferramenta eléctrica com o dedo no interruptor ou ligar uma ferramenta à tomada com o interruptor ligado (ON) pode resultar em acidentes.
- ▶ **Remova quaisquer chaves de ajuste (chaves de fenda), antes de ligar a ferramenta eléctrica.** Um acessório ou chave deixado preso numa parte rotativa da ferramenta pode causar ferimentos.
- ▶ **Evite posturas corporais desfavoráveis. Mantenha sempre uma posição correcta, em perfeito equilíbrio.** Desta forma será mais fácil manter o controlo sobre a ferramenta eléctrica em situações inesperadas.
- ▶ **Use roupa apropriada. Não use roupa larga ou jóias. Mantenha o cabelo, vestuário e luvas afastados das peças móveis.** Roupas largas, jóias ou cabelos compridos podem ficar presos nas peças móveis.
- ▶ **Se podem ser montados sistemas de remoção e de recolha de pó, assegure-se de que estes estão ligados e são utilizados correctamente.** A utilização de um sistema de remoção de pó pode reduzir os perigos relacionados com a exposição ao mesmo.
- ▶ **Não se acomode numa falsa sensação de segurança e não ignore os regulamentos de segurança para ferramentas eléctricas, mesmo se estiver familiarizado com a ferramenta eléctrica após numerosas utilizações.** Agir de forma descuidada pode causar ferimentos graves dentro duma fracção de segundo.

Utilização e manuseamento da ferramenta eléctrica

- ▶ **Não sobrecarregue a ferramenta. Use para o seu trabalho a ferramenta eléctrica correcta.** Com a ferramenta eléctrica adequada obterá maior eficiência e segurança se respeitar os seus limites.
- ▶ **Não utilize a ferramenta eléctrica se o interruptor estiver defeituoso.** Uma ferramenta eléctrica que já não possa ser accionada pelo interruptor é perigosa e deve ser reparada.
- ▶ **Retire a ficha da tomada e/ou remova uma bateria amovível antes de efectuar ajustes na ferramenta, substituir acessórios ou guardar a ferramenta.** Esta medida preventiva evita o accionamento accidental da ferramenta eléctrica.
- ▶ **Guarde ferramentas eléctricas não utilizadas fora do alcance das crianças. Não permita que a ferramenta seja utilizada por pessoas não familiarizadas com a mesma ou que não tenham lido estas instruções.** Ferramentas eléctricas operadas por pessoas não treinadas são perigosas.
- ▶ **Faça uma manutenção regular de ferramentas eléctricas e acessórios. Verifique se as partes móveis funcionam perfeitamente e não emperram ou se há peças quebradas ou danificadas que possam influenciar o funcionamento da ferramenta eléctrica. Peças danificadas devem ser reparadas antes da utilização da ferramenta.** Muitos acidentes são causados por ferramentas eléctricas com manutenção deficiente.
- ▶ **Mantenha as ferramentas de corte sempre afiadas e limpas.** Acessórios com gumes afiados tratados correctamente emperram menos e são mais fáceis de controlar.
- ▶ **Utilize a ferramenta eléctrica, acessórios, bits, etc., de acordo com estas instruções. Tome também em consideração as condições de trabalho e o trabalho a ser efectuado.** A utilização da ferramenta eléctrica para outros fins além dos previstos, pode ocasionar situações de perigo.
- ▶ **Mantenha punhos e respectivas superfícies secos, limpos e isentos de óleo e gordura.** Punhos e superfícies afins escorregadios não permitem um manuseamento e controlo seguro da ferramenta eléctrica em situações imprevistas.



Utilização e manuseamento da ferramenta a bateria

- ▶ **Apenas deverá carregar as baterias em carregadores recomendados pelo fabricante.** Num carregador adequado para um determinado tipo de baterias existe perigo de incêndio se for utilizado para outras baterias.
- ▶ **Nas ferramentas eléctricas utilize apenas as baterias previstas.** A utilização de outras baterias pode causar ferimentos e riscos de incêndio.
- ▶ **Quando a bateria não estiver em uso, mantenha-a afastada de outros objectos de metal, como, por exemplo, cliques, moedas, chaves, pregos, parafusos, ou outros pequenos objectos metálicos que possam ligar em ponte os contactos.** Um curto-circuito entre os contactos da bateria pode causar queimaduras ou incêndio.
- ▶ **Utilizações inadequadas podem provocar derrame do líquido da bateria. Evite o contacto com este líquido. No caso de contacto accidental, enxágue imediatamente com água. Se o líquido entrar em contacto com os olhos, procure auxílio médico.** O líquido que escorre da bateria pode provocar irritações ou queimaduras da pele.
- ▶ **Não utilize uma bateria danificada ou modificada.** Baterias danificadas ou modificadas podem ter um comportamento imprevisível e causar fogo, explosão ou risco de ferimentos.
- ▶ **Não exponha uma bateria ao fogo ou a temperaturas excessivas.** Fogo e temperaturas superiores a 130 °C (265 °F) podem provocar uma explosão.
- ▶ **Cumpra todas as instruções sobre o carregamento e nunca carregue a bateria ou a ferramenta a bateria fora da faixa de temperaturas indicada no manual de instruções.** O carregamento errado ou fora da faixa de temperaturas permitida pode destruir a bateria e aumentar o risco de incêndio.

Manutenção

- ▶ **A sua ferramenta eléctrica só deve ser reparada por pessoal qualificado e só devem ser utilizadas peças sobressalentes originais.** Isto assegurará que a segurança da ferramenta se mantenha.
- ▶ **Nunca faça a manutenção de baterias danificadas.** Qualquer manutenção de baterias só deverá ser realizada pelo fabricante ou serviços de assistência técnica autorizados.

2.2 Normas de segurança para serras com lâmina a fazer movimento de vaivém

- ▶ **Segure a ferramenta eléctrica apenas pelas áreas isoladas dos punhos, quando executar trabalhos em que o acessório possa encontrar cabos eléctricos encobertos.** O contacto com um cabo sob tensão também pode colocar partes metálicas da ferramenta sob tensão e causar um choque eléctrico.
- ▶ **Fixe e proteja a ferramenta com sargentos ou de uma outra forma numa base estável.** Se segurar a peça a trabalhar apenas com a mão ou se a segurar contra o seu corpo, esta permanece instável, o que poderá dar origem à perda de controlo.

2.3 Normas de segurança adicionais

Segurança física

- ▶ Utilize o aparelho somente se estiver em perfeitas condições técnicas.
- ▶ Nunca efectue quaisquer manipulações ou modificações na ferramenta.
- ▶ Mantenha os punhos secos e limpos.
- ▶ Durante a utilização da ferramenta use óculos de protecção adequados, protecção auricular e luvas de protecção.
- ▶ Use luvas de protecção ao mudar o acessório. Tocar no acessório pode causar ferimentos por corte e queimaduras.
- ▶ Utilize óculos de protecção. Os estilhaços podem provocar ferimentos corporais, nomeadamente nos olhos.
- ▶ Não olhe directamente para a luz de trabalho (LED) nem aponte a luz para o rosto de outras pessoas. Existe risco de encandeamento.
- ▶ Antes de iniciar os trabalhos, apure a classe de perigo do pó gerado. Utilize um aspirador industrial com protecção aprovada e que esteja de acordo com as regulamentações locais sobre emissão de poeiras nocivas para o ambiente.
- ▶ Garanta uma boa ventilação do local de trabalho e, se necessário, use uma máscara de protecção respiratória, adequada para o respectivo pó. O contacto ou inalação do pó podem provocar reacções alérgicas e/ou doenças das vias respiratórias no utilizador ou em pessoas que se encontrem nas proximidades. Determinados pós, como os de carvalho ou de faia, são considerados cancerígenos, especialmente em combinação com aditivos para o tratamento de madeiras (cromato, produtos para a preservação de madeiras). Material que contenha amianto só pode ser manuseado por pessoal especializado.



- ▶ Faça pausas e exercícios para melhorar a circulação sanguínea nas mãos. Os trabalhos mais longos, devido às vibrações, podem causar distúrbios nos vasos sanguíneos ou no sistema nervoso dos dedos, mãos ou pulsos.

Segurança eléctrica

- ▶ Antes de iniciar os trabalhos, verifique o local de trabalho relativamente a cabos eléctricos encobertos, bem como tubos de gás e água. Partes metálicas externas da ferramenta podem causar um choque eléctrico se, inadvertidamente, danificarem uma linha eléctrica.

Utilização e manutenção de ferramentas eléctricas

- ▶ Fixe a peça a trabalhar. Uma peça a trabalhar fixada com grampos ou num torno de bancada fica mais segura do que apenas com a mão.

Normas de segurança especiais para serras tico-tico

- ▶ Ao serrar, mantenha o produto sempre afastado do corpo.
- ▶ Nunca ponha as mãos na frente da lâmina nem toque na lâmina com as mãos.
- ▶ Nunca utilize a serra para serrar materiais desconhecidos e mantenha a área circundante à linha de corte livre de obstáculos.
- ▶ Enquanto estiver a serrar, não meta a mão debaixo da peça a trabalhar.

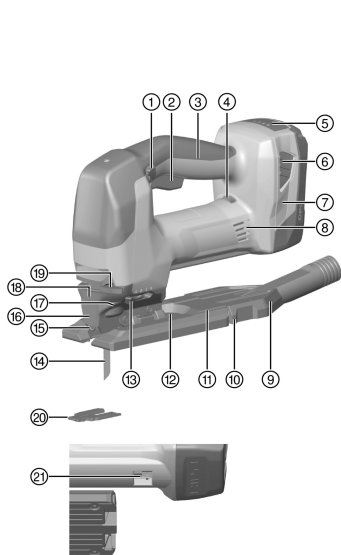
2.4 Utilização e manutenção de baterias

- ▶ Observe as regras específicas sobre transporte, armazenamento e utilização de baterias de íões de lítio.
- ▶ Mantenha as baterias afastadas de temperaturas elevadas, radiação solar directa e fogo.
- ▶ As baterias não devem ser desmanteladas, esmagadas, aquecidas acima dos 80 °C (176 °F) ou incineradas.
- ▶ Não utilize ou carregue quaisquer baterias que tenham sofrido golpes, tenham caído de altura superior a um metro ou tenham sido danificadas de outra forma. Neste caso, contacte sempre o seu **Centro de Assistência Técnica Hilti**.
- ▶ Se a bateria estiver demasiado quente ao toque, poderá estar com defeito. Coloque a bateria num local com boa visibilidade que não constitua risco de incêndio, suficientemente afastado de materiais inflamáveis. Deixe a bateria arrefecer. Se, passado uma hora, a bateria ainda estiver demasiado quente ao toque, então está com defeito. Contacte o **Centro de Assistência Técnica Hilti**.



3 Descrição

3.1 Vista geral do produto 1



- ① Botão bloqueador
- ② Interruptor on/off
- ③ Punho
- ④ Roda de ajuste para o número de cursos
- ⑤ Indicação do estado de carga da bateria
- ⑥ Botão de destravamento da bateria
- ⑦ Bateria
- ⑧ Saídas de ar
- ⑨ Adaptador de aspiração
- ⑩ Gancho retentor
- ⑪ Placa base
- ⑫ Escala para regulação do ângulo de corte
- ⑬ Alavanca para regulagem do curso pendular
- ⑭ Lâmina de serra
- ⑮ Protecção contra contactos acidentais
- ⑯ Resguardo
- ⑰ Mandril
- ⑱ Luz LED
- ⑲ Alavanca para o desbloqueio da lâmina de serra
- ⑳ Protecção contra o arranque de aparas
- ㉑ Alimentação eléctrica para o módulo aspirador de pó SJD DRS-6A (acessório)

3.2 Utilização conforme a finalidade projectada

O produto descrito é uma serra vertical excêntrica manual a bateria. Foi concebida para cortar plásticos, madeiras e metais, assim como placas de gesso e de fibra.

O produto está equipado com um bocal amovível para um aspirador, dimensionado para tubos de aspirador usuais. Para unir a mangureira de aspiração ao produto poderá ser necessário um adaptador adequado.

- ▶ Para este produto, utilize apenas as baterias de iões de lítio **Hilti** da série B 22.
- ▶ Para estas baterias, utilize apenas os carregadores **Hilti** da série C4/36.
- ▶ Para este produto utilize apenas lâminas de serra com engate em T (engate único).

3.3 Possível uso incorrecto

- O produto não pode ser utilizado para cortar ramos e troncos de árvore.
- O produto não pode ser utilizado para trabalhar materiais nocivos para a saúde.
- O produto não pode ser utilizado para trabalhos em ambiente húmido.
- ▶ Mantenha a alimentação eléctrica do módulo aspirador de pó afastada de cliques, moedas, chaves, pregos, parafusos ou outros pequenos objectos metálicos que possam ligar em ponte os contactos. Um curto-circuito entre os contactos pode causar queimaduras ou um incêndio.

3.4 Indicador do estado de carga

O estado de carga da bateria de iões de lítio é visualizado quando se pressiona levemente o/um botão de destravamento (no máximo até sentir uma resistência).

Estado	Significado
4 LED acendem.	Estado de carga: 75% a 100%
3 LED acendem.	Estado de carga: 50% a 75%
2 LED acendem.	Estado de carga: 25% a 50%



Estado	Significado
1 LED acende.	Estado de carga: 10% a 25%
1 LED pisca.	Estado de carga: < 10%

i Com o interruptor on/off pressionado e até 5 segundos depois de o soltar, não é possível consultar o estado de carga. Se os LED do indicador do estado de carga da bateria estiverem a piscar, leia as indicações no capítulo Ajuda em caso de avarias.

3.5 Ventilador

O ventilador envia um fluxo de ar para a lâmina de serra, de modo a manter a linha de corte livre de aparas.

3.6 Número de cursos

O número de cursos pode ser ajustado na roda de regulagem. A posição 1 corresponde a 800 cursos por minuto e a posição 6 corresponde a 3000 cursos por minuto.

Consoante a força com que se pressiona o interruptor On/Off, a velocidade de curso começa com 75 cursos por minuto e aumenta progressivamente até ao cursos definidos que estão ajustados na roda de regulagem.

3.7 Acção orbital de 4 níveis

Os 4 níveis de acção orbital permitem adaptar o rendimento e a imagem de corte ao material a ser processado. Com a alavanca para regulagem do curso pendular comuta-se entre os 4 níveis.

Quanto mais limpo e preciso a aresta de corte deva ser, menor deverá ser o grau de oscilação seleccionado. É possível averiguar o ajuste ideal através de ensaios práticos.

Estado	Significado
Posição 0	Sem acção orbital
Posição 1	Pequena acção orbital
Posição 2	Acção orbital média
Posição 3	Acção orbital grande

3.8 Botão bloqueador

O botão de bloqueio pode ser comutado para três posições.

- A posição central é a posição normal: O botão de bloqueio pode ser visto à esquerda e à direita. Pode, p. ex., ser adaptado o número de cursos.
O interruptor On/Off pode ser pressionado e soltado.
- O botão de bloqueio só pode ser visto à esquerda. Posição de transporte (a ferramenta não pode arrancar).
O interruptor On/Off está bloqueado e não pode ser pressionado.
- O botão de bloqueio só pode ser visto à direita. Depois de a ferramenta estar ligada (o interruptor On/Off está pressionado por completo), é possível pressionar o botão de bloqueio para a direita, para bloquear a posição "On". Para soltar o bloqueio é necessário voltar a pressionar o interruptor On/Off.

3.9 Protecção contra o arranque de aparas

O produto pode ser equipado com uma protecção contra o arranque de aparas.

A protecção contra o arranque de aparas evita que, ao cortar produtos derivados de madeira, a superfície da peça estilhaçe.

3.10 Desligar automático da ferramenta

Logo que o interruptor On/Off fique continuamente pressionado durante mais de 15 minutos (durante o transporte ou o armazenamento, por exemplo), a ferramenta é automaticamente desligada. Assim evita-se que a bateria fique totalmente descarregada.

3.11 Módulo de aspiração SJD DRS-6A (acessório)

O módulo aspirador de pó SJD DRS-6A é utilizado como acessório para a serra vertical excêntrica SJD 6-A22 da Hilti.



Este retém uma percentagem considerável do pó produzido e pode ser fixado de forma rápida e simples na serra vertical excêntrica. No módulo de aspiração de pó está integrado um exaustor. Este é accionado através de um motor próprio. Ao ligar a serra vertical excêntrica, o módulo retira a sua corrente da respectiva bateria. O módulo aspirador de pó não é adequado para trabalhos com materiais contendo asbesto, pós metálicos, pós de fibra de vidro e de fibra de carvão. O módulo aspirador de pó não pode ser utilizado para pós e aparas húmidos e explosivos.

3.12 Incluído no fornecimento

Serra vertical excêntrica com lâmina de serra, resguardo, adaptador de aspiração, protecção contra o arranque de aparas, manual de instruções, chave para sextavado interior.

Poderá encontrar outros produtos de sistema aprovados para o seu produto no seu Centro de Assistência Hilti ou online, em: www.hilti.com

4 Serra vertical excêntrica

	SJD 6-A22
Tensão nominal	21,6 V
Peso incluindo bateria B22/8.0	7,1 lb (3,2 kg)
Altura de elevação	28 mm
Número de cursos em vazio (n_0)	75 rpm ... 3 000 rpm
Máximo rendimento de corte em madeira	5,9 in (150 mm)
Máximo rendimento de corte em alumínio	1,0 in (25 mm)
Máximo rendimento de corte em aço carbono	0,4 in (10 mm)
Ângulo de corte (esquerda/direita)	0° ... 45°
Diâmetro exterior do adaptador de aspiração	27,5 mm
Temperatura de armazenagem	-4 °F ... 158 °F (-20 °C ... 70 °C)
Temperatura ambiente durante o funcionamento	1 °F ... 140 °F (-17 °C ... 60 °C)
Temperatura da bateria no início do carregamento	14 °F ... 113 °F (-10 °C ... 45 °C)
Temperatura de armazenagem	-4 °F ... 104 °F (-20 °C ... 40 °C)
Temperatura ambiente durante o funcionamento	1 °F ... 140 °F (-17 °C ... 60 °C)

5 Bateria

Tensão de serviço da bateria	21,6 V
Temperatura ambiente durante o funcionamento	1 °F ... 140 °F (-17 °C ... 60 °C)
Temperatura de armazenagem	-4 °F ... 104 °F (-20 °C ... 40 °C)
Temperatura da bateria no início do carregamento	14 °F ... 113 °F (-10 °C ... 45 °C)



6 Preparação do local de trabalho

AVISO

Risco de ferimentos devido a arranque involuntário!

- ▶ Antes de encaixar a bateria, certifique-se de que o produto correspondente está desligado.
- ▶ Remova a bateria, antes de efectuar ajustes na ferramenta ou substituir acessórios.

Tenha em atenção as instruções de segurança e as advertências nesta documentação e no produto.

6.1 Carregar a bateria

1. Antes de carregar, leia o manual de instruções do carregador.
2. Certifique-se de que os contactos da bateria e do carregador estão limpos e secos.
3. Carregue a bateria num carregador aprovado. → Página 44

6.2 Colocar a bateria

AVISO

Risco de ferimentos devido a curto-circuito ou queda da bateria!

- ▶ Antes de encaixar a bateria, certifique-se de que os contactos da bateria e os contactos no produto estão livres de corpos estranhos.
- ▶ Certifique-se de que a bateria engata sempre correctamente.

1. A bateria deve ser completamente carregada antes da primeira utilização.
2. Introduza a bateria no produto até engatar de forma audível.
3. Verifique se a bateria está correctamente encaixada.

6.3 Retirar a bateria

1. Pressione os botões de destravamento da bateria.
2. Puxe a bateria para fora da ferramenta.

6.4 Colocar a lâmina de serra

1. Retire a bateria.
2. Pressione a lâmina de serra (dentes no sentido de corte) no porta-ferramentas até que engate.
3. Puxando pela lâmina de serra, certifique-se de que está bem fixa.

6.5 Colocar o resguardo

1. Retire a bateria.
2. Empurre o resguardo de frente sobre o produto até que encaixe.



O resguardo só pode ser colocado se a placa base se encontrar na posição normal (posição de zero graus).

6.6 Montar o adaptador de aspiração

1. Empurre o adaptador de aspiração pelo lado de trás, horizontalmente, para dentro da placa base, até que os dois ganchos retentores engatem lateralmente.
2. Conecte a mangueira do aspirador ao adaptador de aspiração.

7 Utilização

Tenha em atenção as instruções de segurança e as advertências nesta documentação e no produto.

7.1 Utilizar o sistema de remoção de pó



O sistema de remoção de pó diminui a carga de pó, aumenta a segurança de trabalho graças a uma melhor visibilidade sobre o corte e impede maiores cargas de pó e aparas no local de trabalho.



1. Coloque o resguardo. → Página 47
2. Utilize sempre um sistema de remoção de pó, se trabalhar durante um período mais prolongado com madeira ou materiais em que podem ocorrer grandes concentrações de pó.

7.2 Ligar

1. Coloque a bateria.



Através de uma função de segurança é garantido que a ferramenta não arranca se a bateria só for inserida no respectivo suporte depois de a ferramenta ser ligada.

2. Certifique-se de que o botão de bloqueio se encontra na posição central.
3. Pressione o interruptor (ON/OFF).
4. Para travar o interruptor na posição "On" pressione em seguida o botão de bloqueio para a direita.
5. Para desbloquear o travamento volte a pressionar o interruptor On/Off.
 - ▶ O botão de bloqueio move-se de volta para a posição central.

7.3 Corte por afundamento

1. Coloque a alavanca para regulagem do curso pendular na posição 0.
2. Coloque o produto sobre a peça a cortar com o rebordo anterior da placa base.
3. Segure o produto e pressione o interruptor On/Off.
4. Pressione o produto firmemente contra a peça a trabalhar e mergulhe reduzindo o ângulo de incidência.
5. Assim que a lâmina tenha atravessado a peça a cortar, coloque o produto na posição de trabalho normal.
 - ▶ A placa base apoia com a superfície inteira.
6. Continue a cortar ao longo da linha de corte.

7.4 Desligar

- ▶ Largue o interruptor on/off.



Para travar o interruptor na posição "Off" pressione o botão de bloqueio para a esquerda.

8 Desmontagem

8.1 Desmontar o adaptador de aspiração

1. Pressione os dois ganchos retentores para dentro.
2. Extraia o adaptador de aspiração para trás, para fora da placa base.
3. Retire a mangueira do aspirador para fora do adaptador de aspiração.

8.2 Retirar o resguardo

1. Retire a bateria.
2. Enviese ligeiramente o resguardo e retire-o pela frente.

8.3 Ejectar lâmina de serra

AVISO

Risco de ferimentos. A ejeção descontrolada da lâmina de serra pode dar origem a ferimentos.

- ▶ Ao ejectar a lâmina de serra, segure o produto de forma a que pessoas ou animais não possam ser feridos devido à ejeção da lâmina de serra.

1. Retire a bateria.
2. Rode a alavanca do desbloqueio da lâmina de serra para o lado, até ao encosto.
 - ▶ A lâmina de serra é solta e ejectada.



9 Conservação e manutenção

AVISO

Risco de lesão com a bateria encaixada !

- ▶ Retire sempre a bateria antes de todos os trabalhos de conservação e manutenção!

Conservação do produto

- Remova sujidade persistente com cuidado.
- Se existente, limpe as saídas de ar cuidadosamente com uma escova seca e macia.
- Limpe a carcaça apenas com um pano ligeiramente húmido. Não utilize produtos de conservação que contenham silicone, uma vez que estes podem danificar os componentes de plástico.
- Utilize um pano limpo e seco, para limpar os contactos do produto.

Conservação das baterias de iões de lítio

- Nunca utilize uma bateria com as saídas de ar obstruídas. Limpe as saídas de ar cuidadosamente com uma escova seca e macia.
- Evite que a bateria seja exposta desnecessariamente a pó ou sujidade. Nunca exponha a bateria a humidade elevada (por ex., mergulhar em água ou deixar à chuva).
Se uma bateria tiver ficado encharcada, trate-a como uma bateria danificada. Isole-a num recipiente não inflamável e contacte o Centro de Assistência Técnica **Hilti**.
- Mantenha a bateria sem resíduos de óleo e massa consistente externos. Não permita que se acumule desnecessariamente pó ou sujidade sobre a bateria. Limpe a bateria com uma escova seca e macia ou um pano limpo e seco. Não utilize produtos de conservação que contenham silicone, uma vez que estes podem danificar os componentes de plástico.
Não toque nos contactos da bateria nem remova dos contactos a massa consistente aplicada de fábrica.
- Limpe a carcaça apenas com um pano ligeiramente húmido. Não utilize produtos de conservação que contenham silicone, uma vez que estes podem danificar os componentes de plástico.

Manutenção

- Verifique, regularmente, todos os componentes visíveis quanto a danos e os comandos operativos quanto a funcionamento perfeito.
- Não opere o produto se existirem danos e/ou perturbações de funcionamento. Mandar reparar o produto imediatamente no Centro de Assistência Técnica **Hilti**.
- Após os trabalhos de conservação e manutenção, aplique todos os dispositivos de protecção e verifique se funcionam correctamente.



Para um funcionamento seguro, utilize apenas peças sobresselentes e consumíveis originais. Poderá encontrar peças sobresselentes, consumíveis e acessórios aprovados pela **Hilti** para o seu produto na sua **Hilti Store** ou em: www.hilti.group

9.1 Limpar o adaptador de aspiração

1. Retire a bateria.
2. Desmonte o adaptador de aspiração. → Página 48
3. Limpe o adaptador de aspiração.
4. Certifique-se de que os ganchos retentores não estão danificados.
5. Monte o adaptador de aspiração. → Página 47

9.2 Limpar as lâmina de serra

1. Elimine regularmente a resina das lâminas de serra utilizadas.
2. Coloque as lâminas de serra durante 24 horas mergulhadas em petróleo ou um produto comum para eliminação da resina.

10 Transporte e armazenamento de ferramentas a bateria e baterias

Transporte

CUIDADO

Arranque inadvertido durante o transporte !

- ▶ Transporte os seus produtos sempre sem as baterias colocadas!



- ▶ Retire a/as bateria(s).
- ▶ Nunca transporte as baterias sem embalagem. Durante o transporte, as baterias devem ser protegidas contra impactos e vibrações excessivos e isoladas de quaisquer materiais condutores ou outras baterias, para que não entrem em contacto com os pólos de outras baterias e causem um curto-circuito. **Observe as suas normas de transporte locais para baterias.**
- ▶ As baterias não devem ser enviadas por correio. Quando pretender enviar baterias não danificadas, contacte uma empresa transportadora.
- ▶ Verifique o produto e as baterias quanto a danos antes de cada utilização, bem como antes e depois de longos períodos de transporte.

Armazenamento



AVISO

Dano acidental devido a baterias com defeito ou a perderem líquido !

- ▶ Armazene os seus produtos sempre sem as baterias colocadas!
- ▶ Guarde o produto e as baterias em lugar fresco e seco. Tenha em atenção os valores limite de temperatura, que estão indicados nas Características técnicas.
- ▶ Não guarde as baterias no carregador. Após o processo de carregamento, retire sempre a bateria do carregador.
- ▶ Nunca armazene as baterias em locais sujeitos a exposição solar, em cima de fontes de calor ou por trás de um vidro.
- ▶ Guarde o produto e as baterias fora do alcance das crianças e das pessoas não autorizadas.
- ▶ Verifique o produto e as baterias quanto a danos antes de cada utilização, bem como antes e depois de longos períodos de armazenamento.

11 Ajuda em caso de avarias

No caso de avarias que não sejam mencionadas nesta tabela ou se não conseguirem resolvê-las por si mesmo, contacte o nosso Centro de Assistência Técnica **Hilti**.

Avaria	Causa possível	Solução
A lâmina de serra cai para fora.	Lâmina de serra não está bem bloqueada.	<ul style="list-style-type: none"> ▶ Repita o processo de fixação. ▶ Certifique-se de que o porta-ferramentas está completamente aberto e que a lâmina de serra é pressionada para dentro contra a resistência.
	Sistema de fixação sujo.	▶ Limpe o porta-ferramentas.
Impossível inserir a lâmina de serra.	Sistema de fixação sujo.	▶ Limpe o porta-ferramentas.
Impossível regular acção orbital.	Ranhura do selector orbital suja.	▶ Limpe a sujidade da ranhura do selector orbital.
Acção orbital não funciona.	Mecanismo de oscilação sujo.	▶ Verifique se existe sujidade na zona da forqueta do selector e elimine-a.
	Selector orbital está na posição "0".	▶ Ajuste o valor pretendido.
A bateria descarrega-se mais depressa do que habitualmente.	Temperatura ambiente muito baixa.	▶ Deixe a bateria aquecer lentamente até à temperatura ambiente.
A bateria não encaixa com clique audível.	Patilhas de fixação na bateria estão sujas.	▶ Limpe as patilhas de fixação e volte a encaixar a bateria.
Pisca 1 LED. A ferramenta não funciona.	A bateria está descarregada.	▶ Substitua a bateria e carregue a bateria descarregada.
	Bateria está demasiado fria ou demasiado quente.	▶ Deixe a bateria aquecer ou arrefecer lentamente até à temperatura ambiente.



Avaria	Causa possível	Solução
Todos os 4 LED piscam. A ferramenta não funciona.	A ferramenta está sobrecarregada.	▶ Largue o interruptor on/off e volte a accioná-lo. Em seguida, deixe trabalhar a ferramenta durante aprox. 30 segundos em vazio.
Forte aquecimento no produto ou na bateria.	Avaria eléctrica	▶ Desligue a ferramenta imediatamente, retire a bateria, observe a mesma, deixe-a arrefecer e contacte o Centro de Assistência Técnica Hilti .

12 Reciclagem

AVISO

Perigo de ferimentos devido a eliminação incorrecta! Riscos para a saúde devido à fuga de gases ou líquidos.

- ▶ Não envie quaisquer baterias danificadas!
- ▶ Para evitar curto-circuitos, cubra as conexões com um material não condutor.
- ▶ Elimine as baterias de modo a mantê-las longe do alcance das crianças.
- ▶ Efectue a reciclagem da bateria na sua **Hilti Store** ou entre em contacto com a empresa de recolha de lixo responsável.

Os produtos **Hilti** são, em grande parte, fabricados com materiais recicláveis. Um pré-requisito para a reciclagem é que esses materiais sejam devidamente separados. Em muitos países, a **Hilti** aceita o seu aparelho usado para reaproveitamento. Para mais informações, dirija-se ao Serviço de Clientes **Hilti** ou ao seu vendedor.



- ▶ Não deite as ferramentas eléctricas, aparelhos electrónicos e baterias no lixo doméstico!

13 Declaração FCC / IC

Esta ferramenta está de acordo com a Parte 15 das regulamentações FCC e RSS-210 do IC. O funcionamento está sujeito às duas condições seguintes:

1. Esta ferramenta não pode causar interferências nocivas.
2. Esta ferramenta tem de aceitar interferências recebidas, mesmo aquelas que possam causar um funcionamento indesejado.

14 Garantia do fabricante

- ▶ Se tiver dúvidas em relação às condições de garantia, contacte o seu parceiro **Hilti** local.





This Product is Certified
Ce produit est homologué
Producto homologado por
Este producto está registrado





Hilti Corporation
LI-9494 Schaan
Tel.:+423 234 21 11
Fax:+423 234 29 65
www.hilti.com



2150254