

HILTI

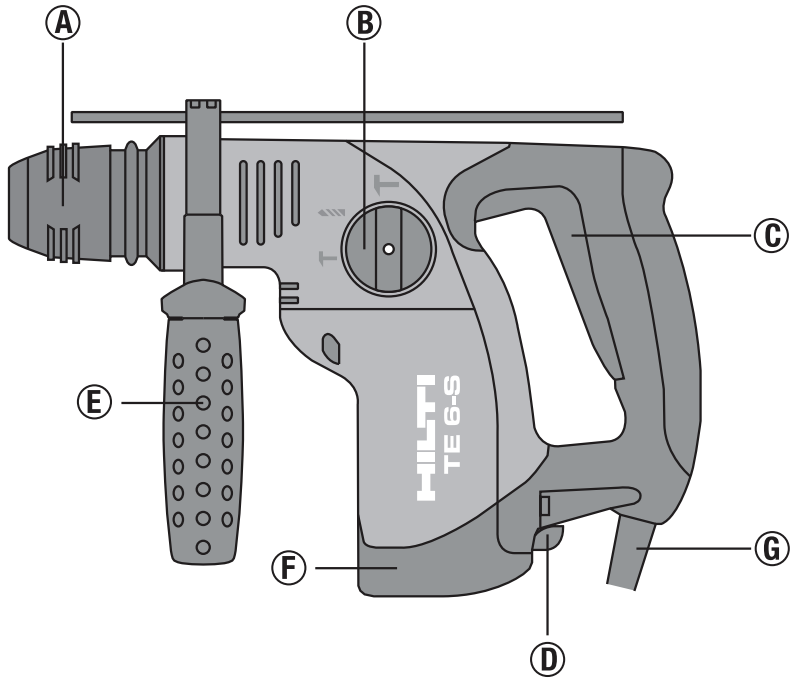
TE 6-S

Operating instructions

en

Rotary Hammer Drill
3-Wire Grounded Construction





11. Disposal

Most of the materials from which Hilti power tools are manufactured can be recycled. The materials must be correctly separated before they can be recycled. In many countries, Hilti has already made arrangements for taking back your old electric tools for recycling. Please ask your Hilti customer service department or Hilti sales representative for further information.

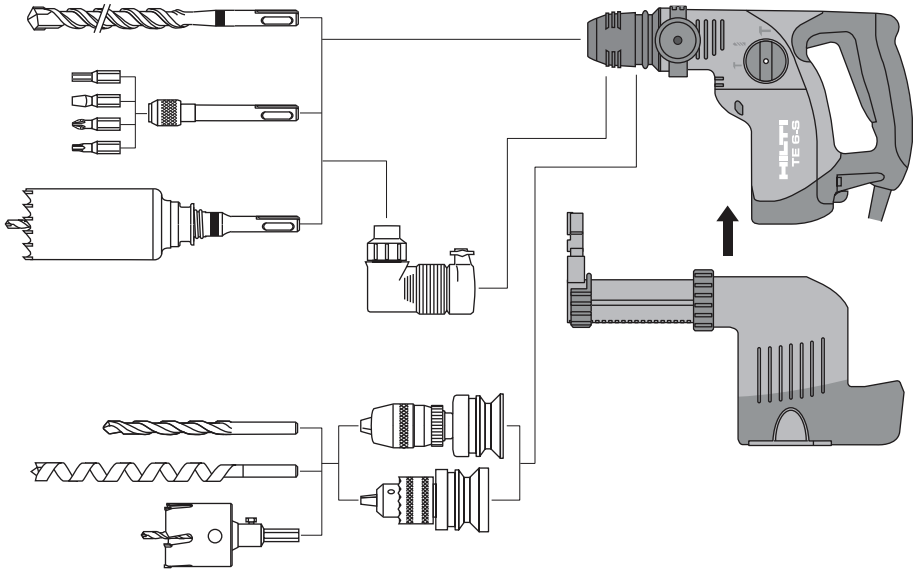
Should you wish to return the electric tool yourself to a disposal facility for recycling, proceed as follows: Dismantle the tool as far as possible without the need for special tools. Use absorbent paper to wipe oily parts clean and collect any grease that runs out (total quantity: 50 ml). This paper should also be disposed of correctly. **On no account should grease be allowed to enter the waste water system or find its way into the ground.**

Separate the individual parts as follows:

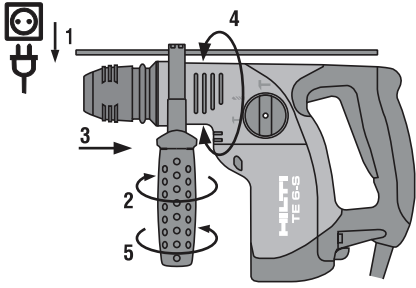
| Part / assembly | Main material | Recycling |
|---------------------------|---|--------------------|
| Toolbox | Plastic | Plastics recycling |
| Gear housing | Plastic with magnesium alloy / brass part | Scrap metal |
| Bearing plate | Magnesium alloy / brass | Scrap metal |
| Grip, side handle | Plastic | Plastics recycling |
| Motor housing | Plastic | Plastics recycling |
| Grip cover | Plastic | Plastics recycling |
| Fan | Plastic | Plastics recycling |
| Motor (rotor and stator) | Steel and copper | Scrap metal |
| Supply cord | Copper, synthetic rubber | Scrap metal |
| Gearing parts | Steel | Scrap metal |
| Hammering mechanism parts | Steel | Scrap metal |
| Screws, small parts | Steel | Scrap metal |

12. Troubleshooting

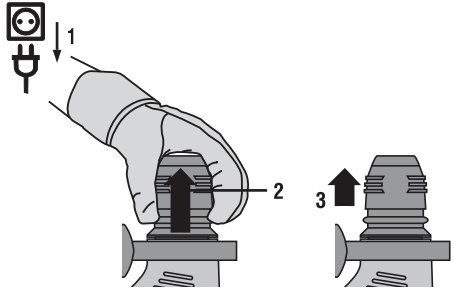
| Fault | Possible cause | Remedy |
|--|---|--|
| The tool doesn't start. | No power from the mains supply. | Plug in another electric tool or appliance and check whether it works. |
| | Supply cord or plug is defective. | Have it checked by an electrical specialist and replaced if necessary. |
| | The control switch is defective. | Have it checked by an electrical specialist and replaced if necessary. |
| No hammering action. | The tool is too cold. | Allow the tool to warm up to the operating temperature (see section "Operation"). |
| | Function selection switch set to rotary drilling only. | Set the function selection switch to hammer drilling. |
| The tool doesn't achieve full performance. | The cross-section of the extension cord is inadequate. | Use an extension cord with adequate conductor cross-section (see section "Operation"). |
| | The control switch is not pressed as far as it will go. | Press the control switch as far as it will go. |
| | The function selection switch is set to reduced hammering action. | Set the function selection switch to hammer drilling. |
| | The reversing switch is set to counter-clockwise rotation. | Set the reversing switch to clockwise rotation. |
| The drill bit can't be released. | The chuck is not pulled back fully. | Pull the chuck back as far as it will go and remove the insert tool. |



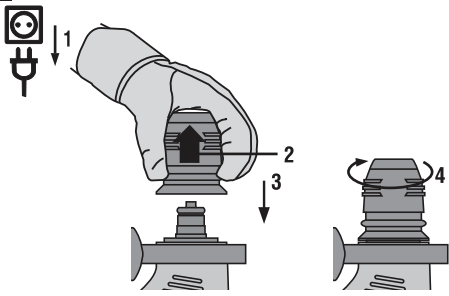
2



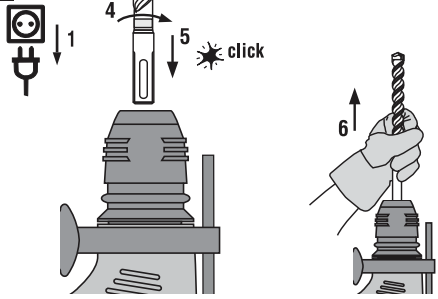
3



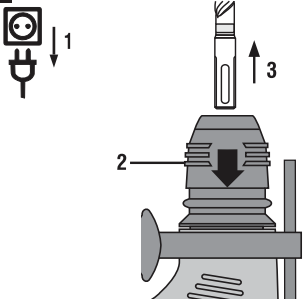
4



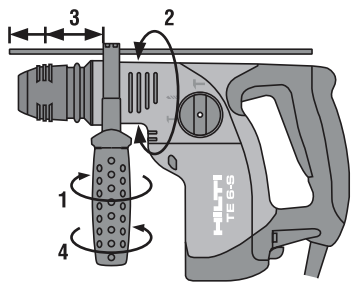
5



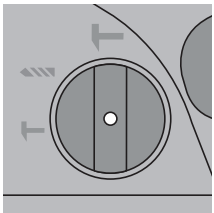
6



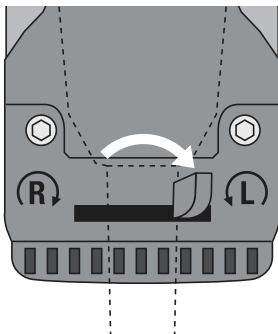
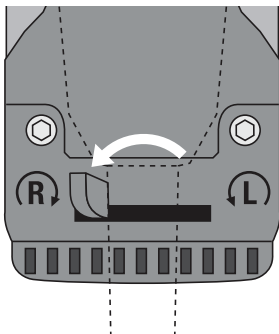
7



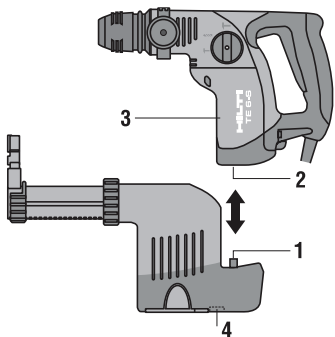
8



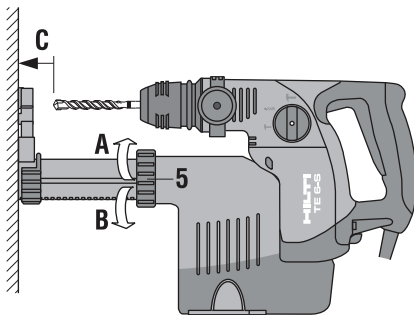
9



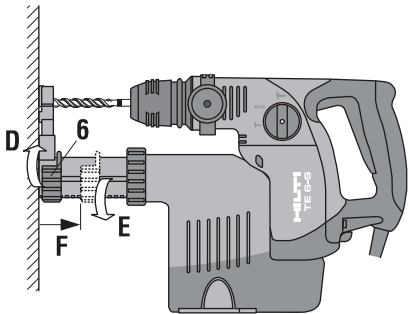
10



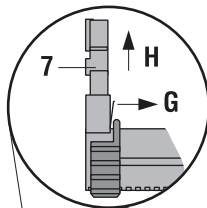
11



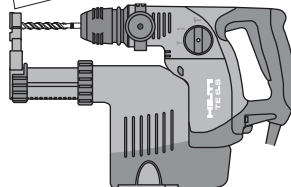
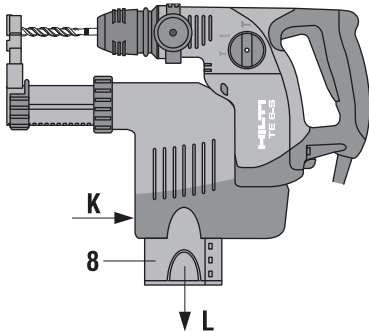
12



13



14



UL listed to US and Canadian safety standards
Homologué UL (conforme aux normes de sécurité américaines et canadiennes)
Producto homologado según normas de seguridad americanas y canadienses
Produto homologado de acordo com as normas de segurança americanas e canadianas



TE 6-S rotary hammer drill

It is essential that the operating instructions are read before the tool is operated for the first time.

Always keep these operating instructions together with the tool.

Ensure that the operating instructions are with the tool when it is given to other persons.

Operating controls and components 1

- A Chuck
- B Function selection switch
- C On/off switch
- D Forwards/reverse switch
- E Side handle with depth gauge
- F Connection for the dust removal module
- G Supply cord

| Contents | Page |
|--------------------------------------|------|
| 1. General information | 1 |
| 2. Technical data | 2 |
| 3. General safety rules | 2 |
| 4. Specific safety rules and symbols | 3 |
| 5. Functional description | 4 |
| 6. Assembly | 5 |
| 7. Operation | 5 |
| 8. Care and maintenance | 6 |
| 9. Accessories | 7 |
| 10. Manufacturer's warranty – tools | 8 |
| 11. Disposal | 9 |
| 12. Troubleshooting | 9 |

1. General information

1.1 Indication of danger

-CAUTION-

This word is used to draw attention to a potentially dangerous situation which could lead to minor personal injury or damage to the equipment or other property.

1.2 Pictograms

Warning signs



General warning



Warning: electricity



Warning: hot surface

Obligation signs



Wear eye protection



Wear breathing protection



Wear ear protection



Wear protective gloves

Symbols



Read the operating instructions before use.

1 These numbers refer to the corresponding illustrations. The illustrations can be found on the fold-out cover pages. Keep these pages open while studying the operating instructions.

In these operating instructions, the designation "the tool" always refers to the TE 6-S rotary hammer drill.

Location of identification data on the tool

The type designation and serial number can be found on the type plate on the tool. Make a note of this data in your operating instructions and always refer to it when making an enquiry to your Hilti representative or service department.

Type: _____

Serial no.: _____

en

2. Technical data

| Tool | TE6-S |
|---|---|
| Rated power | 650 W |
| Rated voltage | 120 V |
| Rated current input | 5.4 A |
| Mains frequency | 50–60 Hz |
| Weight of tool | 2.8 kg (6.3 lbs) |
| Dimensions (l×w×h) | 320×215×75 mm (12.5×8.5×3.0") |
| No load speed | 0–1160 r.p.m. |
| Hammering speed (full hammering action) | 0–5100/min. |
| Hammering speed (reduced hammering action) | 0–2700/min. |
| Single impact energy (full hammering action) | 1.8 Nm (J) |
| Single impact energy (reduced hammering action) | 0.6 Nm (J) |
| Drilling dia. range in concrete/masonry (hammer drill bits) | 4–24 mm dia. (³ / ₁₆ "–1" dia.) |
| Drilling dia. range in wood (wood drill bits) | 5–20 mm dia. (³ / ₁₆ "– ³ / ₄ " dia.) |
| Drilling dia. range in wood (hole saws) | 25–68 mm dia. (1"–2 ⁵ / ₈ " dia.) |
| Drilling dia. range in metal (solid metal) | 5–13 mm dia. (³ / ₁₆ "– ¹ / ₂ " dia.) |
| Drilling dia. range in metal (sheet metal, max. 2 mm [0.08"] thick) | 5–22 mm dia. (³ / ₁₆ "– ⁷ / ₈ " dia.) |
| Drilling dia. range with thin-walled diamond core bits (reduced hammering action) | 25–68 mm dia. (1"–2 ⁵ / ₈ " dia.) |
| Drilling performance in medium-hard concrete (typical) | up to 8 mm dia. (⁵ / ₁₆ " dia.) = 28 cm ³ /min. up to 12 mm dia. (¹ / ₂ " dia.) = 45 cm ³ /min. up to 16 mm dia. (⁵ / ₈ " dia.) = 49 cm ³ /min. |
| Mechanical slip clutch | ● |
| Vibration-absorbing grip and side handle | ● |

Right of technical modification reserved

3. General safety rules

1. WARNING!

Read and understand all instructions.

Failure to follow all instructions listed below may result in electric shock, fire and/or serious personal injury.

SAVE THESE INSTRUCTIONS

2. Work Area

2.1 **Keep your work area clean and well lit.** Cluttered benches and dark areas invite accidents.

2.2 **Do not operate power tools in explosive atmospheres, such as in the presence of flammable liquids, gases, or dust.** Power tools create sparks which may ignite the dust or fumes.

2.3 **Keep bystanders, children and visitors away while operating a power tool.** Distractions can cause you to lose control.

3. Electrical Safety

3.1 **Grounded tools must be plugged into an outlet properly installed and grounded in accordance with all codes and ordinances. Never remove the grounding prong or modify the plug in any way. Do not use any adaptor plugs. Check with a qualified electrician if you are in doubt as to whether the outlet is properly grounded.** If the tools should electrically malfunction or break down, grounding provides a low resistance path to carry electricity away from the user. Applicable only to Class I (grounded) tools.

3.2 Avoid body contact with grounded surfaces such as pipes, radiators, ranges and refrigerators. There is an increased risk of electric shock if your body is grounded.

3.3 Don't expose power tools to rain or wet conditions. Water entering a power tool will increase the risk of electric shock.

3.4 Do not abuse the cord. Never use the cord to carry the tools or pull the plug from an outlet. Keep cord away from heat, oil, sharp edges or moving parts. Replace damaged cords immediately. Damaged cords increase the risk of electric shock.

3.5 When operating a power tool outside, use an outdoor extension cord marked «W-A» or «W». These cords are rated for outdoor use and reduce the risk of electric shock.

4. Personal Safety

4.1 Stay alert, watch what you are doing and use common sense when operating a power tool. Do not use a tool while tired or under the influence of drugs, alcohol, or medication. A moment of inattention while operating power tools may result in serious personal injury.

4.2 Dress properly. Do not wear loose clothing or jewelry. Contain long hair. Keep your hair, clothing, and gloves away from moving parts. Loose clothes, jewelry, or long hair can be caught in moving parts.

4.3 Avoid accidental starting. Be sure switch is off before plugging in. Carrying tools with your finger on the switch or plugging in tools that have the switch on invites accidents.

4.4 Remove adjusting keys or wrenches before turning the tool on. A wrench or a key that is left attached to a rotating part of the tool may result in personal injury.

4.5 Do not overreach. Keep proper footing and balance at all times. Proper footing and balance enables better control of the tool in unexpected situations.



4.6 Use safety equipment. Always wear eye protection. Dust mask, non-skid safety shoes, hard hat or hearing protection must be used for appropriate conditions.

5. Tool Use and Care

5.1 Use clamps or other practical way to secure and support the workpiece to a stable platform.

Holding the work by hand or against your body is unstable and may lead to loss of control.

5.2 Do not force tool. Use the correct tool for your application. The correct tool will do the job better and safer at the rate for which it is designed.

5.3 Do not use tool if the switch does not turn it on or off. Any tool that cannot be controlled with the switch is dangerous and must be repaired.

5.4 Disconnect the plug from the power source before making any adjustments, changing accessories, or storing the tool. Such preventive safety measures reduce the risk of starting the tool accidentally.

5.5 Store idle tools out of reach of children and other untrained persons. Tools are dangerous in the hands of untrained users.

5.6 Maintain tools with care. Keep cutting tools sharp and clean. Properly maintained tools with sharp cutting edges are less likely to bind and are easier to control.

5.7 Check for misalignment or binding of moving parts, breakage of parts and any other condition that may affect the tools operation. If damaged, have the tool serviced before using. Many accidents are caused by poorly maintained tools.

5.8 Use only accessories that are recommended by the manufacturer for your model. Accessories that may be suitable for one tool may become hazardous when used on another tool.

6. Service

6.1 Tool service must be performed only by qualified repair personnel. Service or maintenance performed by unqualified personnel could result in a risk of injury.

6.2 When servicing a tool, use only identical replacement parts. Follow instructions in the Maintenance section of this manual. Use of unauthorized parts or failure to follow Maintenance Instructions may create a risk of electric shock or injury.

4. Specific safety rules and symbols

4.1 Basic safety information

In addition to the safety precautions listed in the individual sections of these operating instructions, the following points must be strictly observed at all times.

4.2 Correct use

The tools are designed for drilling in concrete, masonry, plasterboard, wood and metal.

The tools are designed for use on construction sites, in workshops, for renovation, conversion and construction work.

4.3 Incorrect use (misuse)



Operate the tool only when connected to a mains supply with a voltage and frequency that complies with the information given on the name plate. Manipulation or modification of the tool is not permissible. Observe the information printed in the operating instructions concerning operation, care and maintenance.

4.4 State of the art

- The tool is designed and manufactured according to the state of the art.
- The tool and its ancillary equipment may present hazards when used incorrectly by untrained personnel or not as directed.

4.5 Proper arrangement and organisation of the workplace



- Wear non-slip shoes and always work from a secure stance.
- Avoid unfavourable body positions.
- Objects which could cause injury should be removed from the working area.
- Always lead the supply cord and extension cord away to the rear of the tool when working.

4.6 General hazards presented by the tool

- Always hold the tool securely with both hands.
- Keep the grip dry, clean and free from oil and grease.
- Hold the side handle tightly at its farthest end.
- Never leave the tool unsupervised.

4.6.1 Mechanical hazards



- Check that the insert tools used are compatible with the chuck system and that they are secured in the chuck correctly.

4.6.2 Electrical hazards



- Concealed electric cables, gas and water pipes present a serious hazard if damaged while working. Accordingly, check the working area in advance, e.g. using a metal detector. Avoid body contact with earthed objects such as pipes or radiators. External metal parts of the tool could become live when, for example, a live cable is drilled into inadvertently.

- When working outdoors, use only extension cords that are approved and correspondingly marked for this application.

Extension Cord Table

| Volts | Total Length of Cord in Feet | | | | |
|-------|------------------------------|--------|---------|---------|--|
| 120 V | 0-25 | 26- 50 | 51-100 | 101-150 | |
| 240 V | 0-50 | 51-100 | 101-200 | 201-300 | |

| Ampere Rating | | AWG | | | |
|---------------|---------------|-----|----|-----------------|----|
| More Than | Not More Than | | | | |
| 0 | 6 | 18 | 16 | 16 | 14 |
| 6 | 10 | 18 | 16 | 14 | 12 |
| 10 | 12 | 16 | 16 | 14 | 12 |
| 12 | 16 | 14 | 12 | Not recommended | |

- Do not touch the supply cord in the event of it becoming damaged while working. Unplug it from the mains socket.
- Hold tool by insulated gripping surfaces when performing an operation where the cutting tool may contact hidden wiring or its own cord. Contact with a "live" wire will make exposed metal parts of the tool "live" and shock the operator.

4.7 Requirements to be met by users

- The tool is intended for professional use.

Symbols used on the tool:

| | | |
|----------------|-------|------------------------|
| V | | volts |
| ~ | | alternating current |
| Hz | | hertz |
| A | | amperes |
| n ₀ | | no load speed |
| /min | | revolutions per minute |
| ∅ | | diameter |
| ⊕ | | protective earth plug |



4.8 Wear ear protectors when using the tool for extended periods.

Prolonged exposure to high intensity noise can cause hearing loss.

5. Functional description

The TE 6-S rotary hammer drills with selectable pneumatic hammering mechanism are electrically-powered tools for drilling in concrete, masonry, plasterboard (dry-wall), wood, plastics and metal. The tools are designed for professional use.

Chuck

- with rotary locking action
- Interface for TE-C chuck and keyless chuck

Switches

- Speed-control switch
- Function selection switch

- TE6-S: 3 drilling functions
- Reversing switch (switch for forwards/reverse rotation)

Side handle

- Privoting side handle with depth gauge

Lubrication

- The gearing section and hammering mechanism feature permanent grease lubrication.

The items supplied as standard equipment include:

- Rotary hammer drill
- Privoting side handle with depth gauge
- Grease
- Operating instructions
- Toolbox
- DRS dust-removal module (with version in the professional toolbox)
- Cleaning cloth

6. Assembly



The tool must not be connected to the electric mains supply.

6.1 Fit the side handle **2**

1. Release the side handle clamp by turning the side handle grip.
2. Slide the side handle / clamping band over the chuck onto the housing (clamping groove).
3. Turn the side handle into the desired position.
4. Secure the side handle by twisting its grip.

6.2 Removing the chuck **3**

CAUTION

Remove the depth gauge from the side handle and the insert tool from the chuck in order to avoid injury.

1. Disconnect the supply cord plug from the power outlet.
2. Pull the chuck sleeve forward and hold it securely.
3. Remove the chuck by pulling it away from the power tool.

6.3 Fitting the chuck **4**

CAUTION

Remove the depth gauge from the side handle and the insert tool from the chuck in order to avoid injury.

1. Disconnect the supply cord plug from the power outlet.
2. Grip the chuck sleeve, pull it forward and hold it securely in this position.
3. Slide the chuck onto the guide tube from the front and then release the sleeve.
4. Rotate the chuck until it is heard to engage.

7. Operation



The side handle must always be fitted when the tool is in use.

Use clamps or a vice to secure loose workpieces.



If extension cords are used: Only extension cords of a type approved for the intended use and of adequate cross section may be used. Failure to observe this point may result in reduced performance of the tool and overheating of the cord. Damaged extension cords must be replaced.

At low temperatures: The tool requires to reach a minimum operating temperature before the hammering mechanism begins to operate. Switch on the tool and position the tip of the drill bit on the work surface. While the tool is running, apply light pressure briefly and repeatedly until the hammering mechanism begins to operate.

| | |
|------------------|--|
| -CAUTION- | |
| | <ul style="list-style-type: none"> ■ The insert tool may become hot during use. ■ You may burn your hands. ■ Wear protective gloves when changing insert tools. |

7.1 Fitting the insert tool **5**

CAUTION

Wear protective gloves when changing the insert tool.

1. Disconnect the supply cord plug from the power outlet.
2. Check that the connection end of the insert tool is clean and lightly greased. Clean it and grease it if necessary.
3. Check that the sealing lip of the dust shield is clean and in good condition. Clean the dust shield if necessary or replace it if the sealing lip is found to be damaged (please refer to the “Care and maintenance” section).
4. Push the insert tool into the chuck and rotate it while applying slight pressure until it engages in the guide grooves.
5. Push the insert tool further into the chuck until it is heard to engage.
6. Check that the insert tool has engaged correctly by pulling it.

7.2 Removing the insert tool **6**

CAUTION




Wear protective gloves when changing insert tools as the insert tool will get hot during use.


1. Disconnect the supply cord plug from the power outlet.
2. Open the chuck by pulling back the chuck release sleeve.
3. Pull the insert tool out of the chuck.

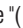
7.3 Adjusting the depth gauge **7**

1. Open the side handle clamp by turning the grip.
2. Pivot the side handle into the desired position.
3. Adjust the depth gauge to the desired drilling depth "X".
4. Secure the side handle by turning the side handle grip.


7.4 Hammer drilling with full hammering action **8**

| -CAUTION- | |
|--|--|
|    | <ul style="list-style-type: none"> ■ The material may splinter during drilling. ■ Splintering material may injure parts of the body and the eyes. ■ Wear eye protection, protective gloves and, if a dust removal system is not used, also wear breathing protection. |

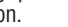
| -CAUTION- | |
|--|--|
|  | <ul style="list-style-type: none"> ■ The tool and the drilling operation emit noise. ■ Excessive noise may damage the hearing. ■ Wear ear protection. |

1. Plug in the supply cord.
2. Turn the switch to the "()" position.
3. Position the tip of the drill bit where the hole is to be drilled.
4. Press the control switch slowly (drill at a slow speed until the drill bit has become centred in the hole).
5. Press the control switch as far as it will go when you wish to continue at full speed.
6. Do not apply excessive pressure as this will not increase hammering power. Lower pressure increases the life of the insert tool.
7. When drilling a through hole, avoid spalling by reducing speed shortly before breaking through.



7.5 Hammer drilling with reduced hammering power **8**

1. Plug in the supply cord.
2. Turn the switch to the "()" position.
3. Position the tip of the drill bit where the hole is to be drilled.
4. Press the control switch slowly (drill at a slow speed until the drill bit has become centred in the hole).
5. Press the control switch as far as it will go when you wish to continue at full speed.
6. When working on critical materials, spalling can be reduced by using TE-C drill bits in new condition in conjunction with reduced hammering action.

7.6 Drilling without hammering action **8**

1. Plug in the supply cord.
2. Turn the switch to the "()" position. When the switch is in this position, only the rotary action is transferred to the insert tool.
3. Press the control switch slowly (drill at a slow speed until the drill bit has become centred in the hole).
4. Press the control switch as far as it will go when you wish to continue at full speed.

7.7 Forwards / reverse rotation **9**

1. Turn the lever to the (L() or position (R()

8. Care and maintenance

Unplug the supply cord.

8.1 Care of insert tools

Remove any dirt adhering to the surface of the insert tools and protect them from corrosion by rubbing them with an oily cloth from time to time.

8.2 Care of the tool

The outer casing of the tool is manufactured from impact-resistant plastic. The grip section is manufactured from synthetic rubber.

The ventilation slots must be unobstructed and kept clean at all times. Use a dry brush to clean the ventilation slots carefully. Do not permit foreign objects to enter the interior of the tool. Use a slightly damp cloth to clean the outside of the tool at regular intervals. Do not use a spray, steam-cleaning system or running water for cleaning. This may negatively affect the electrical safety of the tool. Always keep the grip sections of the tool free from oil and grease. Do not use cleaning agents or polishes, etc., containing silicone.

8.3 Maintenance

Check all external parts of the tool for damage at regular intervals and check that all controls operate faultlessly. Do not operate the tool when parts are damaged or when the controls do not operate faultlessly. If necessary, have the tool repaired at a Hilti service centre. Electrical parts of the tool may be repaired only by trained electrical specialists.

8.4 Checking the tool after care and maintenance

After all care and maintenance work, the tool must be checked to ensure that all safety equipment is fitted and that it operates faultlessly.

9. Insert tools and accessories

| | | |
|-------------------------------|-----------------|---|
| TE-C chuck | ● | |
| TE-C angular chuck | ● | |
| TE-AC 1 angular chuck | ● | |
| Hammer drill bits | 4–24 mm dia. | ($\frac{3}{16}$ "–1" dia.) |
| Bit holder | ● | |
| Thin-barrel core bits | 25–68 mm dia. | (1"–2 $\frac{5}{8}$ " dia.) |
| Chisels (TE6-C) | SM, FM, KM, SPM | |
| Keyless chuck (quick release) | ● | |
| Drill bits for wood | 5–20 mm dia. | ($\frac{3}{16}$ "– $\frac{3}{4}$ " dia.) |
| Drill bits for metal | 5–13 mm dia. | ($\frac{3}{16}$ "– $\frac{1}{2}$ " dia.) |
| Stepped (stop) drill bits | 5–22 mm dia. | ($\frac{3}{16}$ "– $\frac{5}{8}$ " dia.) |
| Hole saws | 25–68 mm dia. | (1"–2 $\frac{5}{8}$ " dia.) |
| DRS dust removal module | ● | |

9.1 DRS dust removal module

9.1.1 General information

Location of identification data on the tool

The type designation and serial number can be found on the type plate on the tool. Make a note of this data in your operating instructions and always refer to it when making an enquiry to your Hilti representative or service department.

Type: _____ Serial no.: _____

9.1.2 Description

The DRS dust removal module is an accessory for the TE-6 rotary hammer drill. It can be attached to the rotary hammer drill quickly and easily. The dust removal module is not suitable for chiselling work or for rotary drilling in metal.

9.1.3 Technical data

| | |
|---|--|
| Power input | Max. 60 W |
| Suction performance | 500 l/min |
| Weight | 0.9 kg (2.03 lbs) |
| Maximum effective stroke | 105 mm (4.1") |
| TE-C hammer drill bit diameter range: | 4–16 mm dia. ($\frac{3}{16}$ "– $\frac{5}{8}$ " dia.) |
| Drill bit working length | 50–100 mm (2–4") |
| Contact pressure | 15–25 N |
| Dust container capacity | |
| 6 mm ($\frac{1}{4}$ " dia. / 28 mm (1.1") deep | 130 holes |
| 8 mm ($\frac{3}{16}$ " dia. / 30 mm (1.2") deep | 75 holes |
| 12 mm ($\frac{1}{2}$ " dia. / 50 mm (2") deep | 20 holes |
| Dust container regeneration cycles | Up to 100 cycles |
| Extraction head | 4–16 mm dia. ($\frac{3}{16}$ "– $\frac{5}{8}$ " dia.) |
| Extraction fan, dust container with folded filter, depth gauge, length stop, plug-type connection | |

9.1.4 Before use

Attaching the dust removal module

The extraction fan incorporated in the dust removal module is driven by the motor of the rotary hammer drill by way of a plug-type coupling. The teeth on the rotor shaft (1) mesh with the teeth on the sleeve (2) of the dust removal module drive shaft.

1. Unplug the supply cord.
2. Push the dust removal module along the guide (3) on the rotary hammer drill until it engages securely in place.

Removing the dust module

1. Unplug the supply cord.
2. Press the release latch (4) and hold it in this position.

3. Pull the dust module downwards away from the rotary hammer drill.

9.1.5 Operation

Length adjustment (setting the stroke)

The stroke is normally set to TE-C drill bit $l_t = 150$ mm (6"). This corresponds to an effective working length of 100 mm. The stroke must be adjusted if shorter drill bits are used.

1. Open (A) the locking ring (5).
2. With the drill bit fitted in the chuck, press the tool against the wall until the tip of the drill bit comes into contact with the wall (C).
3. Close (B) the locking ring (5).

Setting the drilling depth (depth gauge)

1. Open (D) the end stop (6).
2. Slide the end stop to the desired drilling depth (F).
3. Close (E) the end stop (6).

When holes are to be drilled to a precise depth, e.g. for setting anchors, the hole depth must be checked by drilling test holes.

Changing the suction head

1. Pull back the rib (G) on the rear of the suction head (7).
2. Pull the old suction head upwards out of the guide (H).
3. Press the new suction head into the guide until it engages.

Emptying the dust container

1. Hold the tool horizontally and allow it to run for a short time. This will cause any remaining dust particles in the dust removal module to be sucked into the dust container.
2. Press the button and hold it in this position (K).
3. Pull the dust container (8) downwards out of the dust removal module (L).
4. Empty the dust container by tapping it lightly.
5. Slide the empty dust container into the dust module from below until it engages in position. If you are inserting a new dust container, remove the protective cover before inserting it.

9.1.6 Care and maintenance

Use only compressed air and a cloth to clean the dust removal module. Do not use water, oil, grease or cleaning agents.

10. Manufacturer's warranty – tools

Hilti warrants that the tool supplied is free of defects in material and workmanship. This warranty is valid so long as the tool is operated and handled correctly, cleaned and serviced properly and in accordance with the Hilti Operating Instructions, and the technical system is maintained. This means that only original Hilti consumables, components and spare parts may be used in the tool.

This warranty provides the free-of-charge repair or replacement of defective parts only over the entire lifespan of the tool. Parts requiring repair or replacement as a result of normal wear and tear are not covered by this warranty.

Additional claims are excluded, unless stringent national rules prohibit such exclusion. In particular, Hilti is not obligated for direct, indirect, incidental or consequential damages, losses or expenses in connection with, or by reason of, the use of, or inability to use the tool for any purpose. Implied warranties of merchantability or fitness for a particular purpose are specifically excluded.

For repair or replacement, send tool or related parts immediately upon discovery of the defect to the address of the local Hilti marketing organization provided.

This constitutes Hilti's entire obligation with regard to warranty and supersedes all prior or contemporaneous comments and oral or written agreements concerning warranties.

HILTI

Hilti Corporation

LI-9494 Schaan

Tel.: +423 / 234 21 11

Fax: +423 / 234 29 65

www.hilti.com



374434