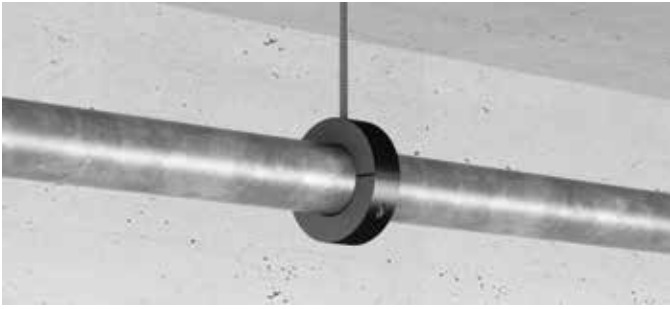
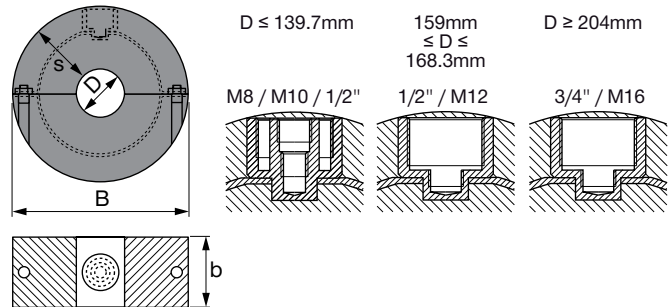


Refrigeration pipe ring MRP-KF



Technical data

Material composition	Closed-cell polyurethane foam
Temperature resistance	-45 - 105 °C
Noise reduction	16 dB (A)
Thermal conductivity (λ approx. value)	0.043 W/mK
Approx. Density	250 kg/m ³
Compressive strength	2.4 N/mm ²
Diffusion Resistance	Vapor retardant due to the closed-cell structure of the rigid PUR foam



Order Designation	Diameter - D	Width - B	Cross section width and thickness (b x s)	Maximum load - F	Clamping screw	Tightening torque	Item number
MRP-KF 12	12.7 mm	87 mm	40 x 37 mm	150 N	M6 - HEX 5	3 Nm	2134508
MRP-KF 16	15.8 mm	87 mm	40 x 35 mm	190 N	M6 - HEX 5	3 Nm	2134509
MRP-KF 17	17.2 mm	87 mm	40 x 34 mm	200 N	M6 - HEX 5	3 Nm	2134540
MRP-KF 18	18 mm	87 mm	40 x 33 mm	210 N	M6 - HEX 5	3 Nm	2134541
MRP-KF 21	21.3 mm	87 mm	40 x 31 mm	260 N	M6 - HEX 5	3 Nm	2134542
MRP-KF 22	22 mm	87 mm	40 x 31 mm	260 N	M6 - HEX 5	3 Nm	2134543
MRP-KF 27	26.9 mm	87 mm	40 x 30 mm	320 N	M6 - HEX 5	3 Nm	2134544
MRP-KF 28	28 mm	87 mm	40 x 30 mm	340 N	M6 - HEX 5	3 Nm	2134545
MRP-KF 33	33.7 mm	98 mm	40 x 32 mm	400 N	M6 - HEX 5	3 Nm	2134546
MRP-KF 35	35 mm	98 mm	40 x 32 mm	420 N	M6 - HEX 5	3 Nm	2134547
MRP-KF 42	42.4 mm	103 mm	40 x 30 mm	510 N	M6 - HEX 5	3 Nm	2134548
MRP-KF 48	48.3 mm	108 mm	40 x 30 mm	580 N	M6 - HEX 5	3 Nm	2134549
MRP-KF 50	50 mm	108 mm	40 x 30 mm	600 N	M6 - HEX 5	3 Nm	2134550
MRP-KF 54	54 mm	117 mm	40 x 30 mm	650 N	M6 - HEX 5	3 Nm	2134551
MRP-KF 57	57 mm	117 mm	40 x 30 mm	680 N	M6 - HEX 5	3 Nm	2134552
MRP-KF 60	60.3 mm	120 mm	50 x 30 mm	720 N	M6 - HEX 5	3 Nm	2134553
MRP-KF 64	64 mm	120 mm	50 x 30 mm	770 N	M6 - HEX 5	3 Nm	2134554
MRP-KF 70	70 mm	136 mm	50 x 31 mm	1260 N	M6 - HEX 5	3 Nm	2134555
MRP-KF 76	76.1 mm	136 mm	50 x 30 mm	1370 N	M6 - HEX 5	3 Nm	2134556
MRP-KF 89	88.9 mm	149 mm	50 x 30 mm	1600 N	M6 - HEX 5	3 Nm	2134557
MRP-KF 108	108 mm	200 mm	60 x 46 mm	2590 N	M8 - HEX 6	6 Nm	2134558
MRP-KF 114	114.3 mm	200 mm	60 x 43 mm	2740 N	M8 - HEX 6	6 Nm	2134559
MRP-KF 133	133 mm	219 mm	60 x 41 mm	3190 N	M8 - HEX 6	6 Nm	2134560
MRP-KF 139	139.7 mm	219 mm	60 x 40 mm	3350 N	M8 - HEX 6	6 Nm	2134561
MRP-KF 159	159 mm	239 mm	60 x 40 mm	3830 N	M8 - HEX 6	6 Nm	2134562
MRP-KF 168	168.3 mm	248 mm	60 x 40 mm	4040 N	M8 - HEX 6	6 Nm	2134563
MRP-KF 204	204 mm	340 mm	100 x 66 mm	4900 N	M8 - HEX 6	6 Nm	2134564
MRP-KF 219	219.1 mm	340 mm	100 x 60 mm	5260 N	M8 - HEX 6	6 Nm	2134565